

PLEASE CHECK WWW.MOLEX.COM FOR LATEST PART INFORMATION

Part Number: [1050281001](#)
Status: **Active**
Description: Camera Socket for Mobile Phone, Top Mount, SMT, Side Contact Type, 8.5x8.5

Documents:

[3D Model](#) [Product Specification PS-105028-101 \(PDF\)](#)
[Drawing \(PDF\)](#) [RoHS Certificate of Compliance \(PDF\)](#)

General

Product Family	Other Sockets
Series	105028
Component Type	Socket
Product Name	Camera Socket

Physical

Circuits (Loaded)	32
Circuits (maximum)	32
Color - Resin	Black
Durability (mating cycles max)	20
Entry Angle	Vertical (Top Entry)
Keying to Mating Part	Yes
Material - Metal	Copper Alloy
Material - Plating Mating	Gold
Material - Plating Termination	Gold
Material - Resin	High Temperature Thermoplastic
PCB Locator	No
PCB Retention	N/A
Packaging Type	Embossed Tape on Reel
Pitch - Mating Interface (in)	0.035 In
Pitch - Mating Interface (mm)	0.90 mm
Pitch - Term. Interface (in)	0.035 In
Pitch - Term. Interface (mm)	0.90 mm
Plating min: Mating (µin)	12
Plating min: Mating (µm)	0.3
Plating min: Termination (µin)	3
Plating min: Termination (µm)	0.075
Temperature Range - Operating	-55°C to +85°C
Termination Interface: Style	Surface Mount

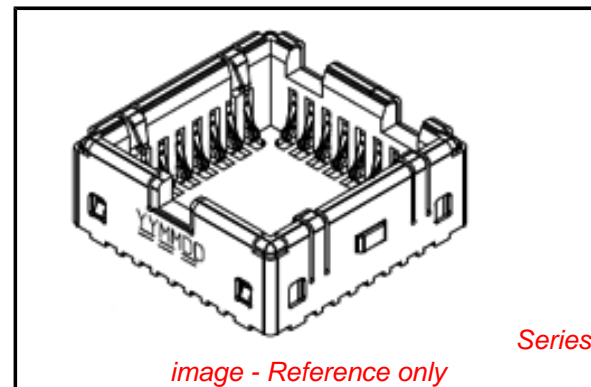
Electrical

Current - Maximum per Contact	0.5A
Voltage - Maximum	50V DC

Material Info

Reference - Drawing Numbers

Product Specification	PS-105028-101
Sales Drawing	SD-105028-101



EU RoHS

**ELV and RoHS
Compliant**
REACH SVHC
 Not Reviewed
**Halogen-Free
Status**

China RoHS



**Need more information on product
environmental compliance?**

Email productcompliance@molex.com
 For a multiple part number RoHS Certificate of
 Compliance, [click here](#)

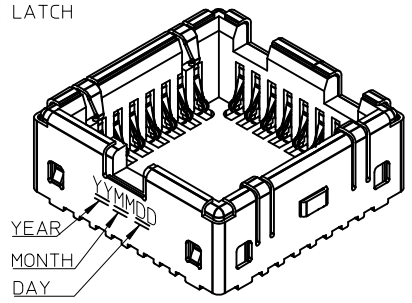
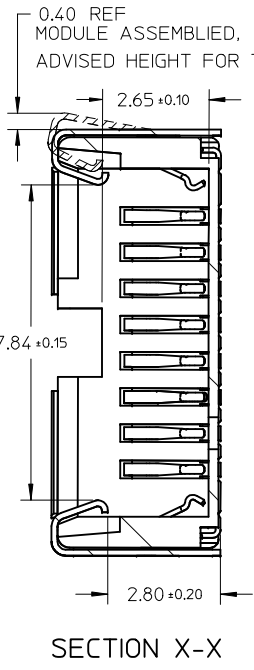
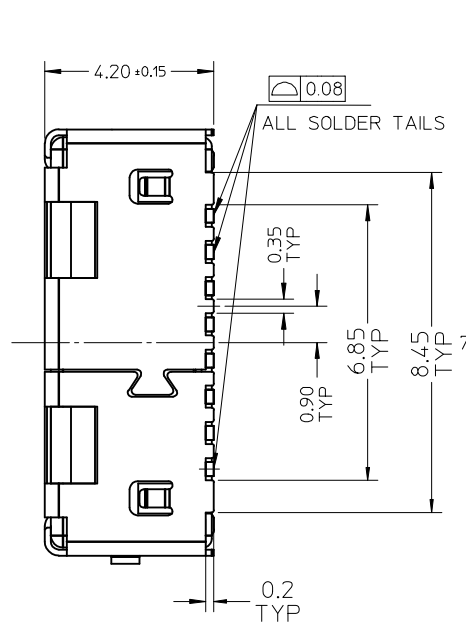
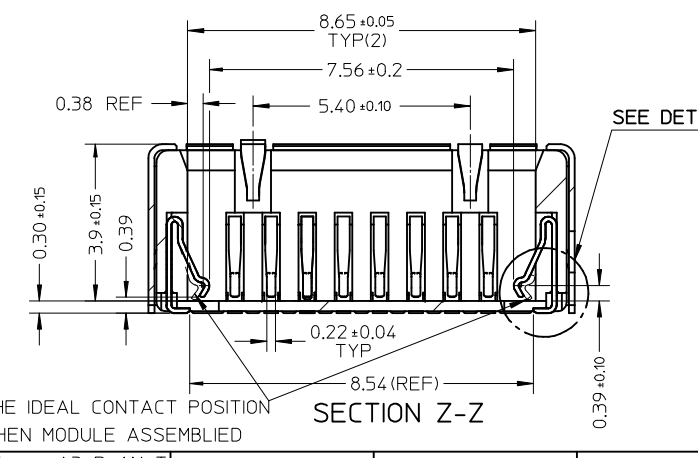
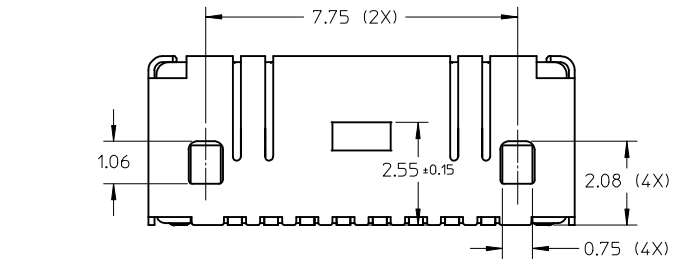
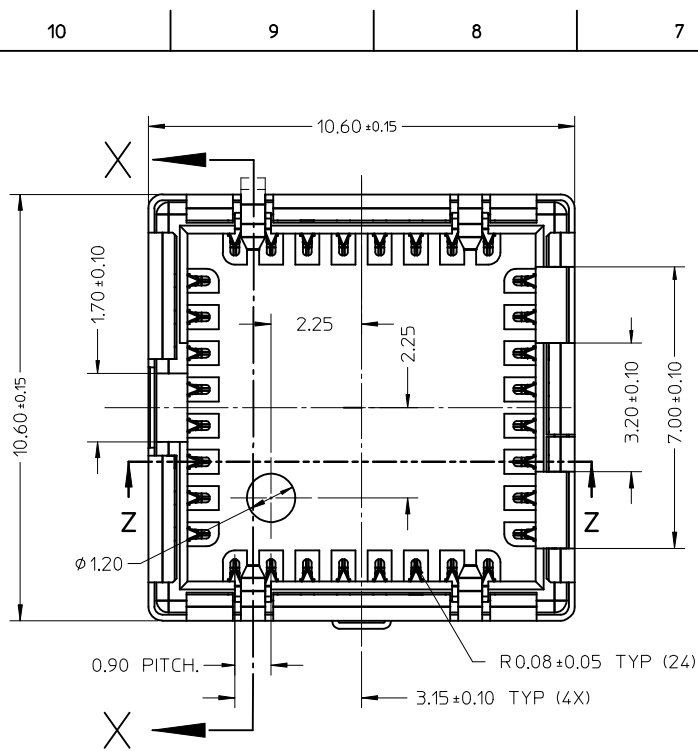
Please visit the [Contact Us](#) section for any
 non-product compliance questions.

Search Parts in this Series

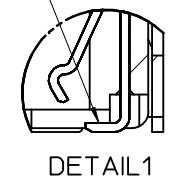
[105028Series](#)

Mates With

Camera Module

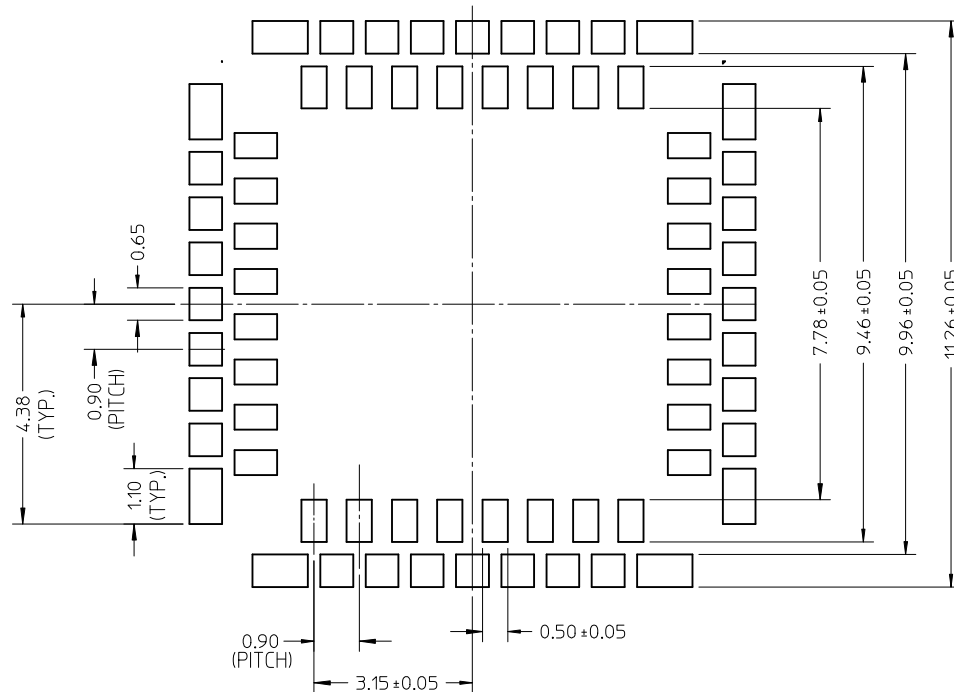


NO SOLDER PASTE AND WICKING ALLOWED.



- NOTES:
- MATERIALS
HOUSING: HIGH TEMPERATURE PLASTICS, BLACK, UL94 V-0
TERMINAL: COPPER ALLOY.
SHELL: COPPER ALLOY.
 - FINISH
TERMINAL: 2-4 MICROMETER NICKEL UNDERPLATING OVERALL, GOLD PLATING 0.3 MICROMETER ON CONTACT AREA, GOLD FLASH PLATING ON SOLDER AREA.
SHELL: 1.27 MICRO MIN SOLDERABILITY NICKEL UNDERPLATING OVERALL;
 - PRODUCT SPECIFICATION: PS-105028-101
 - PAKAGING: TAPE&REEL
 - APPLICABLE CAMERA MODULE SEE SHEET 3.

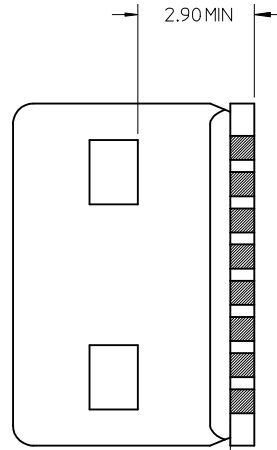
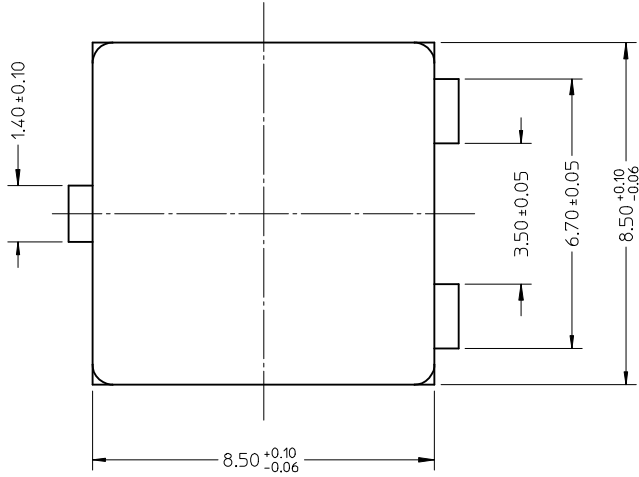
NEW RELEASE EC NO: SH2009-0694 DRW:WFDENG 2009/05/07 CHKD:WFDENG 2009/05/08 APPR:	QUALITY SYMBOLS ▽=0 ◻=0	GENERAL TOLERANCES (UNLESS SPECIFIED)		DIMENSION STYLE MM ONLY		SCALE 8:1	DESIGN UNITS METRIC	THIRD ANGLE PROJECTION		
			mm	INCH	DRAWN BY	DATE	TITLE			
		4 PLACES	± ---	± ---	PATRICK CHU	2007/06/16	8.5*8.5 CAMERA SOCKET SIDE CONTACT TYPE TOP MOUNT			
		3 PLACES	± ---	± ---	CHECKED BY	DATE				
	± 0.10	± ---	YLZHU	2007/06/16	MOLEX INCORPORATED					
2 PLACES	± 0.15	± ---	APPROVED BY	DATE						
	ANGULAR ± 1°		HWWANG	2007/06/16	MATERIAL NO. 1050281001		DOCUMENT NO. SD-105028-101		SHEET NO. 1 OF 3	
DRAFT WHERE APPLICABLE MUST REMAIN WITHIN DIMENSIONS		SIZE A3		THIS DRAWING CONTAINS INFORMATION THAT IS PROPRIETARY TO MOLEX INCORPORATED AND SHOULD NOT BE USED WITHOUT WRITTEN PERMISSION						



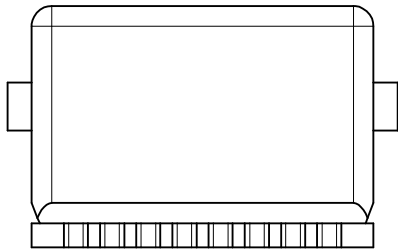
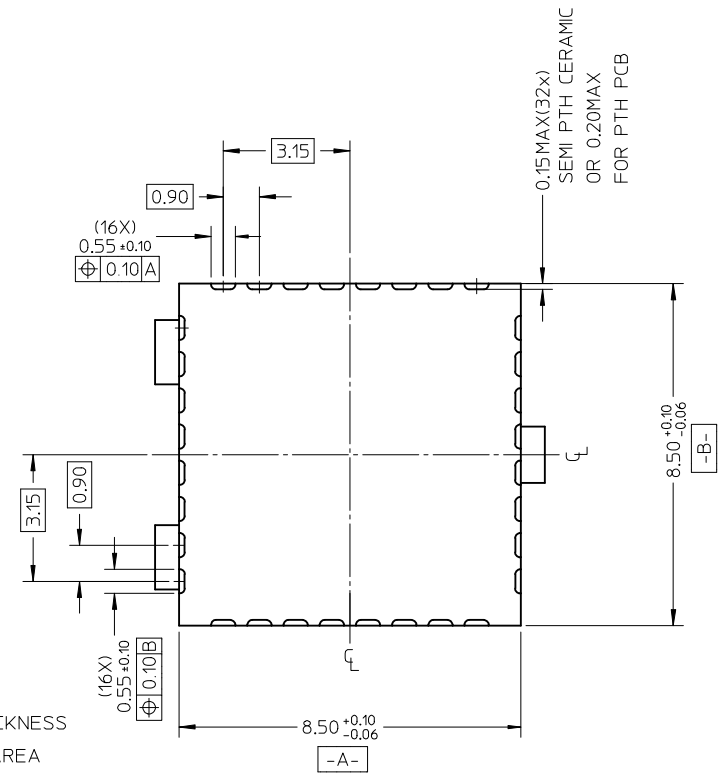
RECOMMENDED PCB LAYOUT
TOLERANCE ± 0.05 MM

NEW RELEASE EC NO: SH2009-0694 DRW:WFDENG 2009/05/07 CHK:DWFENG 2009/05/08 APPR: A	QUALITY SYMBOLS = 0 = 0	GENERAL TOLERANCES (UNLESS SPECIFIED)		DIMENSION STYLE MM ONLY	SCALE 10:1	DESIGN UNITS METRIC	THIRD ANGLE PROJECTION		
		4 PLACES \pm --- \pm ---	mm INCH	DRAWN BY PATRICK CHU	DATE 2007/06/16	TITLE 8.5*8.5 CAMERA SOCKET SIDE CONTACT TYPE TOP MOUNT			
		3 PLACES \pm --- \pm ---		CHECKED BY YLZHU	DATE 2007/06/16	MOLEX INCORPORATED			
		2 PLACES ± 0.10 \pm --- 1 PLACE ± 0.15 \pm --- ANGULAR $\pm 1^\circ$		APPROVED BY HWANG	DATE 2007/06/16	MATERIAL NO. 1050281001	DOCUMENT NO. SD-105028-101	SHEET NO. 2 OF 3	
DRAFT WHERE APPLICABLE MUST REMAIN WITHIN DIMENSIONS		SIZE A3		THIS DRAWING CONTAINS INFORMATION THAT IS PROPRIETARY TO MOLEX INCORPORATED AND SHOULD NOT BE USED WITHOUT WRITTEN PERMISSION					

APPLIED CAMERA MODULE



SEMI PTH THICKNESS
 IN CONTACT AREA
 OR 0.50MIN
 PTH THICKNESS IN
 CONTACT AREA



NEW RELEASE EC NO: SHZ009-0694 DRWN:WFDENG 2009/05/07 CHKD:WFDENG 2009/05/08 APPR:HWANG 2009/05/11	DESCRIPTION REV	QUALITY SYMBOLS	GENERAL TOLERANCES (UNLESS SPECIFIED)		DIMENSION STYLE MM ONLY		SCALE 8:1	DESIGN UNITS METRIC	THIRD ANGLE PROJECTION	
		$\blacktriangledown = 0$ $\triangleleft = 0$	mm	INCH	DRAWN BY PATRICK CHU	DATE 2007/06/16	TITLE 8.5*8.5 CAMERA SOCKET SIDE CONTACT TYPE TOP MOUNT			
			4 PLACES ± ---	± ---	CHECKED BY YLZHU	DATE 2007/06/16	MOLEX INCORPORATED			
			3 PLACES ± ---	± ---	APPROVED BY HWANG	DATE 2007/06/16				
	2 PLACES ± 0.10	± ---	MATERIAL NO. 1050281001		DOCUMENT NO. SD-105028-101		SHEET NO. 3 OF 3			
	1 PLACE ± 0.15	± ---	DRAFT WHERE APPLICABLE MUST REMAIN WITHIN DIMENSIONS		THIS DRAWING CONTAINS INFORMATION THAT IS PROPRIETARY TO MOLEX INCORPORATED AND SHOULD NOT BE USED WITHOUT WRITTEN PERMISSION					