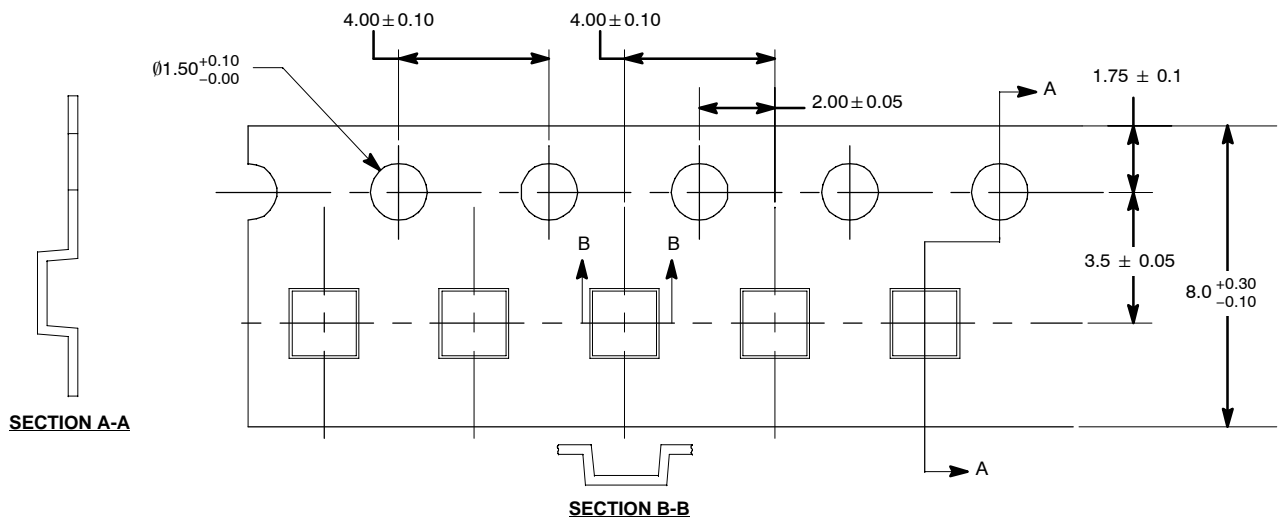




MICRO FOOT® 3x3: 0.5-mm PITCH, 0.238-mm BUMP HEIGHT

For Part Numbers:

- DG3537DB
- DG3538DB
- DG3539DB
- DG5340DB



NOTES:

1. 10-sprocket hole pitch cumulative tolerance ± 0.2 .
2. Camber not to exceed 1 mm in 100 mm.
3. Material: Black Conductive or static dissipative Polycarbonate.
4. Pocket position relative to sprocket hole measured as true position of pocket, not pocket hole.
5. All sizes in mm unless specified.
6. Use 7" Lok reel with 8.4 mm width, (see row 3 of drawing of 93-5211-x).
7. Use seal tape with 5.4 mm width, (see row 8 of drawing of 92-5210-x).

PART #	VER	REEL DIA.	LENGTH
DG3537DB-T5 DG3538DB-T5 DG3539DB-T5 DG3540DB-T1	-1	178 mm	14 m approx.

QUANTITY PER REEL	
T1, T5	3000
ECN: S-50279—Rev. C, 07-Mar-05 DWG: 93-5238-x	