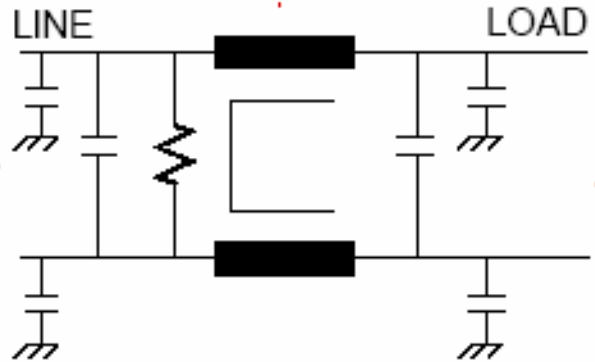


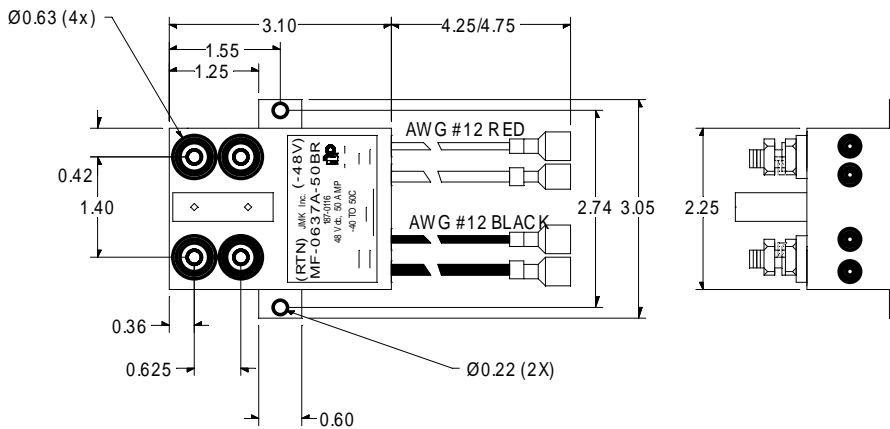
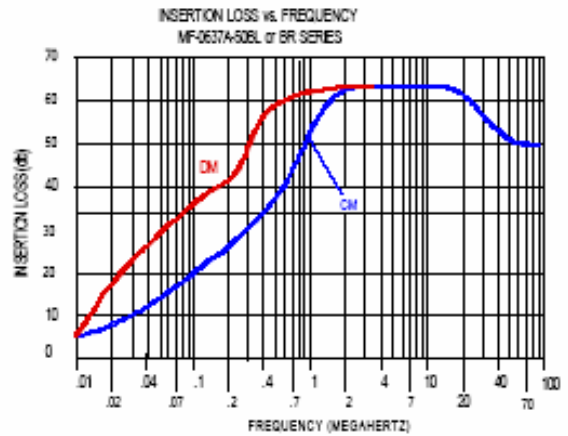


# MF-0637A-50BR

This EMI / RFI filter features a very small mechanical package. Even with this small size the common mode insertion loss and differential loss are more than is available in other similarly sized packages. This filter has additionally been designed to operate with severe unbalanced current loading. It can withstand up to a 30% unbalance in line and return without degrading the common mode insertion loss. This capability is very useful when the filter is used in dual systems with shared returns. This filter package is ruggedly designed to operate in automotive as well as telecommunication



- Operating Voltage = 48 Vdc
- Operating Current = 50 Amperes
- Operating Temperature Range = -40 to 50 C
- Dielectric Withstanding Voltage
- Line to Line: 707 Vdc for 1 minute
- Line to Case: 2250 Vdc for 1.0 min
- Safety Agency Approval = TUV
- CSA ( Canada Y US)



USA JMK Inc 15 Caldwell Dr. Amherst, NH 03031 PH: 603 886-4100 FX: 603 886-4115  
 email: info@jmkfilters.com  
 EUR JMK Inc Glasgow G13 1DN Scotland UK PH: 44-(0) 7785310729 FX: 44-(0) 141-589-184