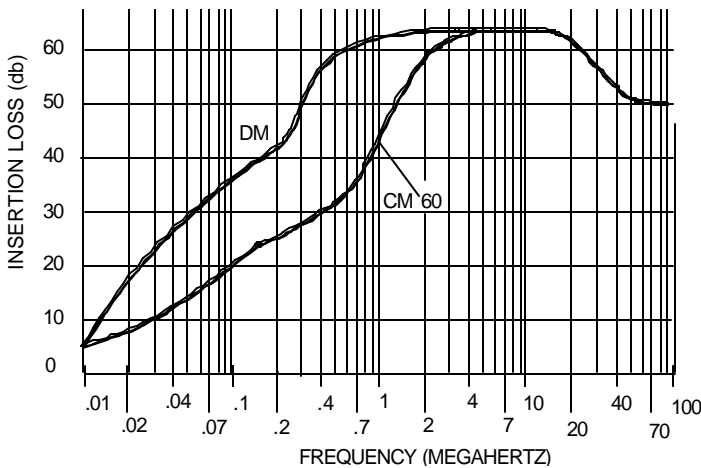
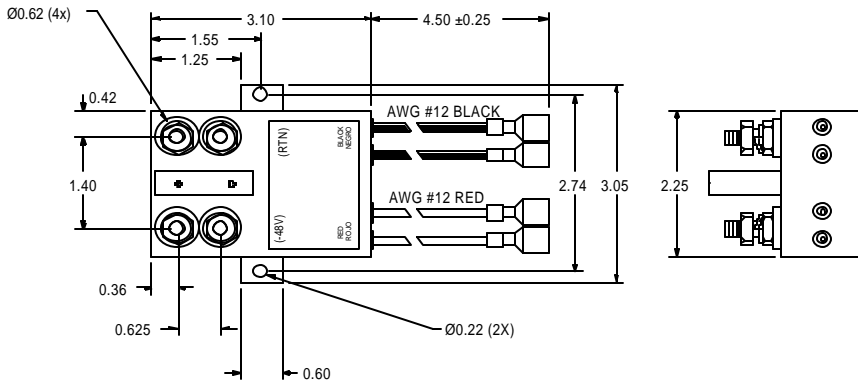
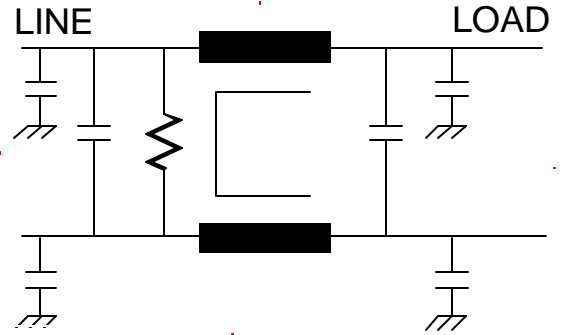




MF-0637A-60BL

Operating Voltage = 48 Vdc
 Operating Current = 60 Amperes
 Operating Temperature Range = -40 to 50 C
 Dielectric Withstanding Voltage
 Line to Line: 707 Vdc for 1 minute
 Line to Case: 2250 Vdc for 1.0 min
 Safety Agency Approval = TUV
 CSA (Canada Y US)

Order P/N: MM-0637A-60BL



This EMI / RFI filter features a very small mechanical package. Even with this small size the common mode insertion loss and differential loss are more than is available in other similarly sized packages. This filter has additionally been designed to operate with severe unbalanced current loading. It can withstand up to a 30% unbalance in line and return without degrading the common mode insertion loss. This capability is very useful when the filter is used in dual systems with shared returns. This filter package is ruggedly designed to operate in automotive as well as tele-communication environments