

SHIELDED RADIAL INDUCTOR



P11RS2875 SERIES

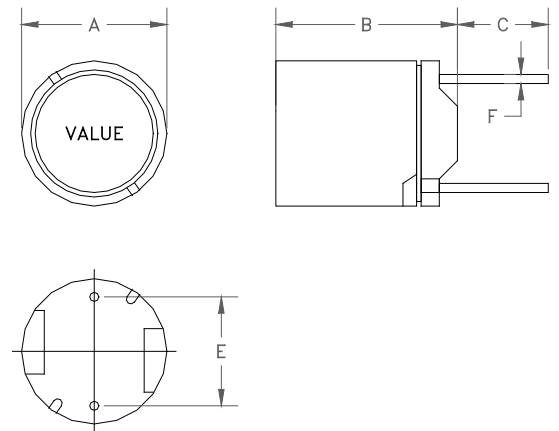


- RoHS Compliant Product
- Ferrite shielded inductor
- L_p tested at 1KHz, $1.0V_{RMS}$
- Inductance Tolerance: $M = \pm 20\%$
- I_{DC} : 10% inductance drop typical from initial value
- I_{RMS} : $\Delta T \leq 40^\circ C$ Temp Rise at rated current
- Operating Temperature: $-40^\circ C$ to $+85^\circ C$

ELECTRICAL SPECIFICATION @ 25°C

| PART NO | L_p $\pm 20\%$ (μH) | DCR Max (Ω) | RATED I_{DC} (A) | RATED I_{RMS} (A) |
|------------|------------------------------------|----------------------------|--------------------------|---------------------------|
| P11RS2875- | | | | |
| 100M | 10 | 0.047 | 3.60 | 2.95 |
| 120M | 12 | 0.055 | 3.20 | 2.70 |
| 150M | 15 | 0.068 | 2.96 | 2.25 |
| 180M | 18 | 0.083 | 2.72 | 2.10 |
| 220M | 22 | 0.097 | 2.48 | 2.00 |
| 270M | 27 | 0.130 | 2.08 | 1.75 |
| 330M | 33 | 0.140 | 2.00 | 1.70 |
| 390M | 39 | 0.170 | 1.68 | 1.50 |
| 470M | 47 | 0.210 | 1.60 | 1.32 |
| 560M | 56 | 0.230 | 1.44 | 1.11 |
| 680M | 68 | 0.280 | 1.36 | 1.00 |
| 820M | 82 | 0.400 | 1.28 | 0.92 |
| 101M | 100 | 0.450 | 1.12 | 0.84 |
| 121M | 120 | 0.50 | 1.04 | 0.80 |
| 151M | 150 | 0.63 | 0.96 | 0.72 |
| 181M | 180 | 0.68 | 0.88 | 0.70 |
| 221M | 220 | 0.91 | 0.75 | 0.53 |
| 271M | 270 | 1.00 | 0.70 | 0.51 |
| 331M | 330 | 1.20 | 0.65 | 0.44 |
| 391M | 390 | 1.30 | 0.56 | 0.42 |
| 471M | 470 | 1.70 | 0.53 | 0.37 |
| 561M | 560 | 2.10 | 0.42 | 0.33 |
| 681M | 680 | 2.30 | 0.41 | 0.31 |
| 821M | 820 | 3.10 | 0.38 | 0.28 |
| 102M | 1000 | 3.90 | 0.35 | 0.24 |
| 122M | 1200 | 4.30 | 0.33 | 0.22 |
| 152M | 1500 | 5.80 | 0.27 | 0.18 |
| 182M | 1800 | 7.10 | 0.26 | 0.17 |
| 222M | 2200 | 7.9 | 0.24 | 0.16 |
| 272M | 2700 | 11.0 | 0.20 | 0.14 |
| 332M | 3300 | 12.0 | 0.18 | 0.13 |
| 392M | 3900 | 16.1 | 0.17 | 0.12 |
| 472M | 4700 | 18.1 | 0.16 | 0.11 |
| 562M | 5600 | 25.4 | 0.14 | 0.10 |
| 682M | 6800 | 28.8 | 0.13 | 0.09 |
| 822M | 8200 | 41.8 | 0.12 | 0.08 |
| 103M | 10000 | 46.8 | 0.11 | 0.07 |

Mechanical



| DIM | mm |
|-----|-------------------|
| A | 8,3 Max |
| B | 7,5 Max |
| C | $5,0 \pm 1,0$ min |
| E | $5,0 \pm 0,5$ |
| F | 0,60 |

Schematic



Dimensions

Unless otherwise specified, all tolerances are:
 inch: .XX : ± 0.010 .XXX : ± 0.003
 mm: X,X : $\pm 0,254$ X,XX : $\pm 0,076$

Product performance is limited to specified parameter. Data is subject to change without prior notice.

P11RS2875-XXX
07091W