

PLEASE CHECK WWW.MOLEX.COM FOR LATEST PART INFORMATION

Part Number: [0351803609](#)
Status: **Active**
Description: 1.78mm (.070") Tab Multiple Wire-to-Wire Male Housing With Ear, 6 Circuits, Vertical, Polyester Carbonate, UL94V-0, Yellow, Glow Wire Compatible

Documents:

[Drawing \(PDF\)](#) [Product Specification PS-35180-003 \(PDF\)](#)
[Product Specification PS-35180-002 \(PDF\)](#) [RoHS Certificate of Compliance \(PDF\)](#)

Agency Certification

CSA LR19980
 UL E29179

General

Product Family Crimp Housings
 Series [35180](#)
 Comments Polarized to Mating Part
 Product Name N/A

Physical

Breakaway No
 Circuits (maximum) 6
 Color - Resin Yellow
 Flammability 94V-0
 Gender Male
 Glow-Wire Compliant Yes
 Keying to Mating Part None
 Lock to Mating Part Yes
 Material - Resin Polyester Alloy
 Number of Rows 2
 Packaging Type Bag
 Panel Mount Yes
 Pitch - Mating Interface (in) 0.335 In
 Pitch - Mating Interface (mm) 8.50 mm
 Pitch - Term. Interface (in) 0.335 In
 Pitch - Term. Interface (mm) 8.50 mm
 Polarized to Mating Part Yes
 Ports 5
 Stackable No
 Temperature Range - Operating -40°C to +120°C

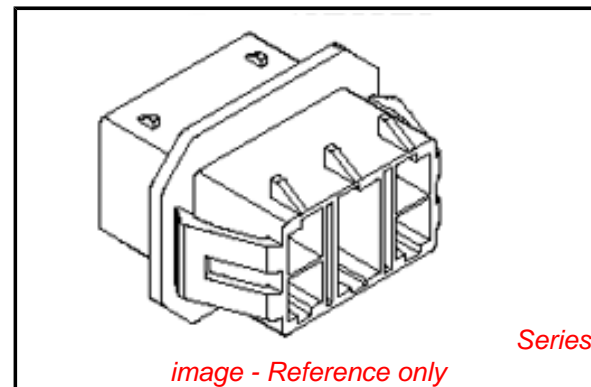
Electrical

Current - Maximum per Contact 10A, 15A, 4A, 5A, 7A

Material Info

Reference - Drawing Numbers

Product Specification PS-35180-002, PS-35180-003
 Sales Drawing SD-35180-060*



EU RoHS

ELV and RoHS Compliant
REACH SVHC
 Not Reviewed
Halogen-Free Status
Not Reviewed

China RoHS



Need more information on product environmental compliance?

Email productcompliance@molex.com
 For a multiple part number RoHS Certificate of Compliance, [click here](#)

Please visit the [Contact Us](#) section for any non-product compliance questions.

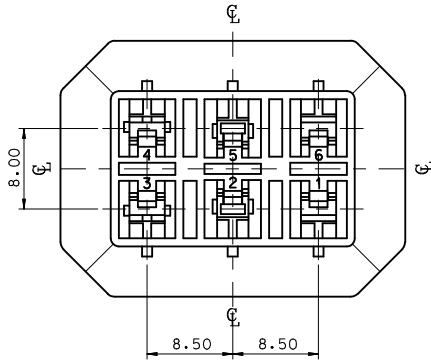
Search Parts in this Series

[35180Series](#)

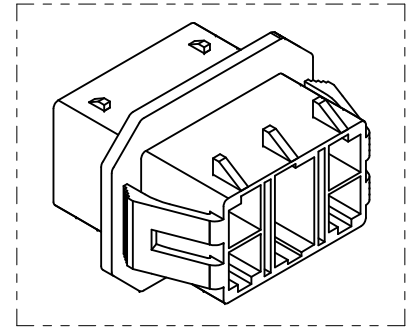
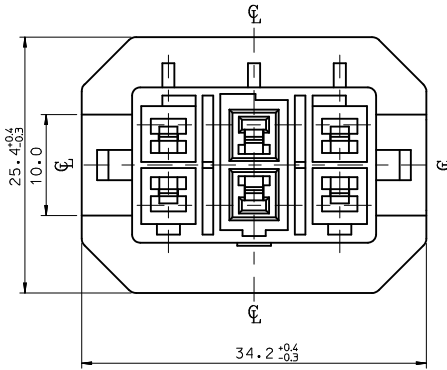
Mates With

Use With

Crimp Terminal [35745](#) , [35746](#) , [35747](#) .
[35182039*](#) TPA™

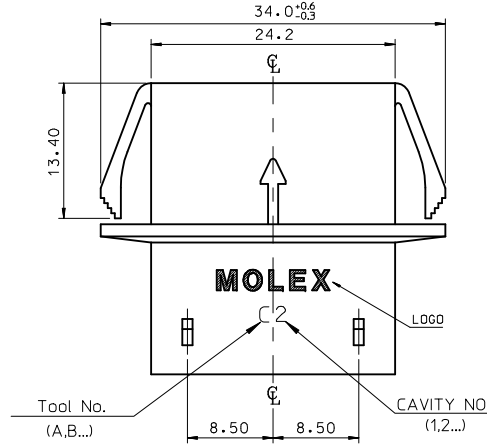
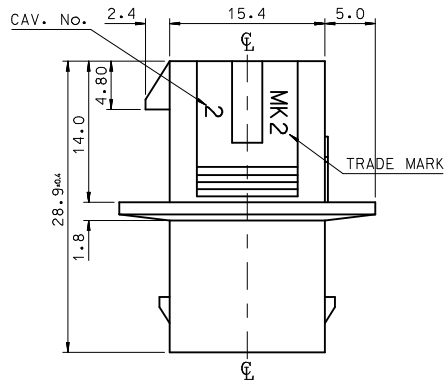


VIEW "A"

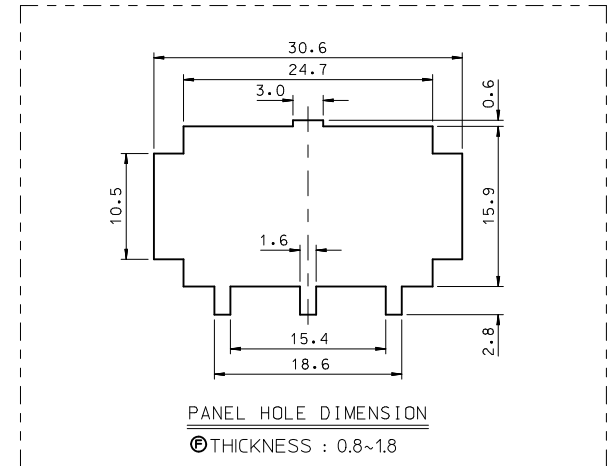


NOTES.

1. MATERIAL & COLOR : SEE TABLE
2. MATED HOUSING : 35181-020*
35181-021*
35181-022*
3. APPLICABLE TERMINAL : 35745-0*10 (3,4 CIRCUIT)
35746-0*10 (2,5 CIRCUIT)
35747-0*10 (1,6 CIRCUIT)
4. APPLICABLE T.P.A : 35182-039*
5. PRODUCT SPECIFICATION : PS-35180-002



VIEW "A"



NO	PRODUCT		MATERIAL
	PART NO	COLOR	DESCRIPTION
1	35180-0600	NATURAL	POLYESTER (PBT) (UL94V-0)
2	35180-0604	BLUE	
3	35180-0609	NATURAL	
4	35180-2609	RED	PC/PET (UL94V-0)
5	35180-3609	YELLOW	
6	35180-4609	BLUE	

REVISED
EC NO: KOR2010-0092
DRAWN: JHPARK01 2010/01/14
CHKD: WY. YANG 2010/01/14
APPR: YUNSIKKIM 2010/01/14

QUALITY SYMBOLS
▽=0
◻=0

GENERAL TOLERANCES (UNLESS SPECIFIED)

	mm	INCH
4 PLACES	± ---	± ---
3 PLACES	± ---	± ---
2 PLACES	± 0.3	± ---
1 PLACE	± 0.3	± ---
ANGULAR ± 3 °		

DRAFT WHERE APPLICABLE MUST REMAIN WITHIN DIMENSIONS

DIMENSION STYLE
MM ONLY

DRAWN BY	DATE	TITLE
JS.KANG	1995/09/28	.070 MULTI W/W CONN MALE HSG-6P
CHECKED BY	DATE	
BK.CHOI	1995/09/28	
APPROVED BY	DATE	
CW.LEE	1995/09/28	
MATERIAL NO.	DOCUMENT NO.	SHEET NO.
ENTER PART	SD-35180-060*	1 OF 00

SIZE A3
THIS DRAWING CONTAINS INFORMATION THAT IS PROPRIETARY TO MOLEX INCORPORATED AND SHOULD NOT BE USED WITHOUT WRITTEN PERMISSION

SCALE 1:1
DESIGN UNITS METRIC
THIRD ANGLE PROJECTION

MOLEX MOLEX INCORPORATED