

**PLEASE CHECK WWW.MOLEX.COM FOR LATEST PART INFORMATION**

**Part Number:** [0554821719](#)  
**Status:** **Active**  
**Overview:** [mini\\_mi\\_ii](#)  
**Description:** 1.25mm (.049") Pitch Mini Mi II™ Wire-to-Wire Adapter, 17 Circuits, Lead-free

**Documents:**

[3D Model](#) [Product Specification PS-55482-006 \(PDF\)](#)  
[Drawing \(PDF\)](#) [RoHS Certificate of Compliance \(PDF\)](#)

**General**

|                |                            |
|----------------|----------------------------|
| Product Family | Accessories                |
| Series         | <a href="#">55482</a>      |
| Comments       | For Panel Mounting         |
| Component Type | Adapter                    |
| Overview       | <a href="#">mini_mi_ii</a> |
| Product Name   | Mini Mi II™                |

**Physical**

|                                |                |
|--------------------------------|----------------|
| Circuits (Loaded)              | 17             |
| Color - Resin                  | Natural        |
| Gender                         | Male           |
| Material - Metal               | Brass          |
| Material - Plating Mating      | Tin            |
| Material - Plating Termination | Tin            |
| Material - Resin               | Nylon          |
| Number of Rows                 | 1              |
| Packaging Type                 | Bag            |
| Plating min: Mating (µin)      | 40             |
| Plating min: Mating (µm)       | 1.00           |
| Plating min: Termination (µin) | 40             |
| Plating min: Termination (µm)  | 1.00           |
| Temperature Range - Operating  | -20°C to +80°C |

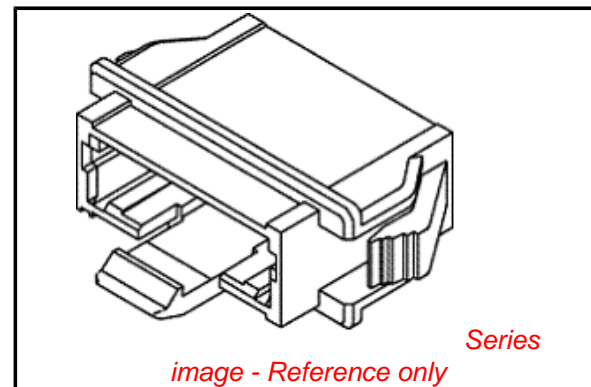
**Electrical**

|                               |      |
|-------------------------------|------|
| Current - Maximum per Contact | 1.5A |
|-------------------------------|------|

**Material Info**

**Reference - Drawing Numbers**

|                         |               |
|-------------------------|---------------|
| Packaging Specification | SPK-55482-001 |
| Product Specification   | PS-55482-006  |
| Sales Drawing           | SD-55482-004  |



**EU RoHS**

**ELV and RoHS  
Compliant**  
**REACH SVHC  
Contains SVHC: No**  
**Halogen-Free  
Status  
Not Reviewed**

**China RoHS**



**Need more information on product  
environmental compliance?**

Email [productcompliance@molex.com](mailto:productcompliance@molex.com)  
For a multiple part number RoHS Certificate of Compliance, [click here](#)

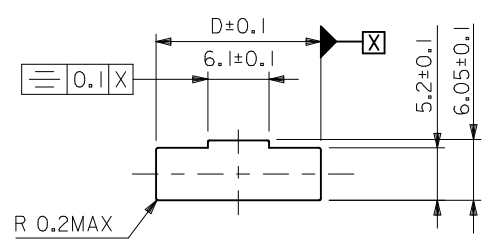
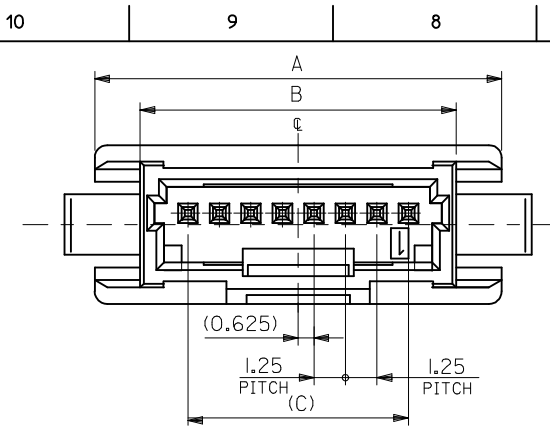
Please visit the [Contact Us](#) section for any non-product compliance questions.

**Search Parts in this Series**

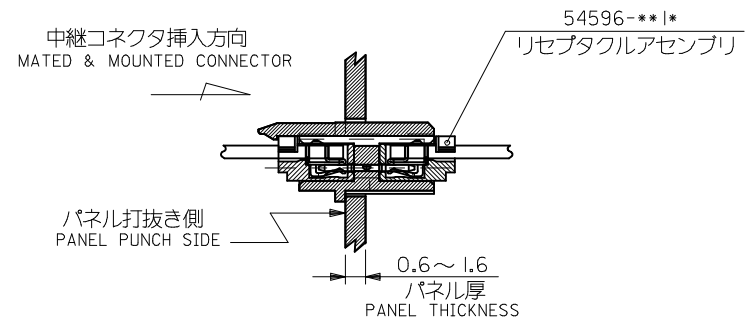
[55482Series](#)

**Use With**

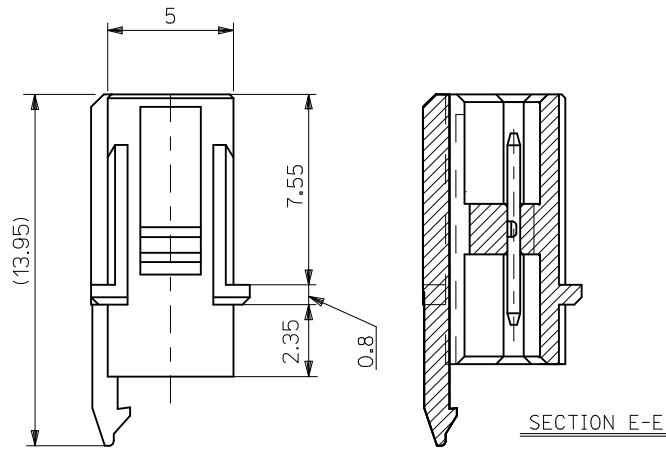
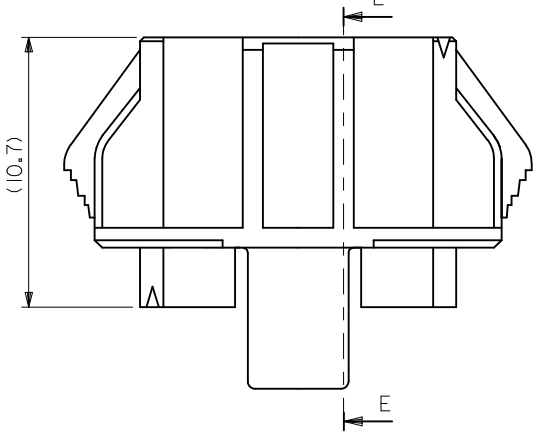
[54596](#)



推奨パネル加工寸法 (SCALE:2-1)  
RECOMMENDED PANEL CUT DIMENSION



嵌合状態図  
MATED & MOUNTED CONNECTOR



注記  
NOTES

1. 材質 MATERIAL  
ウエハー: ポリアミド、UL94-V0、ナチュラル色  
WAFER: PA、UL94-V0、COLOR NATURAL  
ピン: 黄銅、銅下地 錫メッキ  
PIN: BRASS, PRE-TINNED
2. 嵌合相手 MATE WITH  
リセプタクルアセンブリ: 54596-\*\*\*1\*  
REC.ASS'Y: 54596-\*\*\*  
ピン: リン青銅、錫メッキ  
PIN: PHOSPHOR BRONZE, PRE-TINNED
3. 本製品は 55482-\*\*\*10 の鉛フリー品である。  
THIS PRODUCT IS LEAD FREE OF 55482-\*\*\*10.
4. ELV AND ROHS COMPLIANT.

|       |       |       |       |            |          |
|-------|-------|-------|-------|------------|----------|
| 31.35 | 23.75 | 27.55 | 31.15 | 55482-2019 | 20       |
| 30.1  | 22.5  | 26.3  | 29.9  | 55482-1919 | 19       |
| 28.85 | 21.25 | 25.05 | 28.65 | 55482-1819 | 18       |
| 27.6  | 20    | 23.8  | 27.4  | 55482-1719 | 17       |
| 26.35 | 18.75 | 22.55 | 26.15 | 55482-1619 | 16       |
| 25.1  | 17.5  | 21.3  | 24.9  | 55482-1519 | 15       |
| 23.85 | 16.25 | 20.05 | 23.65 | 55482-1419 | 14       |
| 22.6  | 15    | 18.8  | 22.4  | 55482-1319 | 13       |
| 21.35 | 13.75 | 17.55 | 21.15 | 55482-1219 | 12       |
| 20.1  | 12.5  | 16.3  | 19.9  | 55482-1119 | 11       |
| 18.85 | 11.25 | 15.05 | 18.65 | 55482-1019 | 10       |
| 17.6  | 10    | 13.8  | 17.4  | 55482-0919 | 9        |
| 16.35 | 8.75  | 12.55 | 16.15 | 55482-0819 | 8        |
| 15.1  | 7.5   | 11.3  | 14.9  | 55482-0719 | 7        |
| 13.85 | 6.25  | 10.05 | 13.65 | 55482-0619 | 6        |
| 12.6  | 5     | 8.8   | 12.4  | 55482-0519 | 5        |
| 11.35 | 3.75  | 7.55  | 11.15 | 55482-0419 | 4        |
| 10.1  | 2.5   | 6.3   | 9.9   | 55482-0319 | 3        |
| 8.85  | 1.25  | 5.05  | 8.65  | 55482-0219 | 2        |
| D     | C     | B     | A     | TRAY       | CIRCUITS |

|             |           |                  |
|-------------|-----------|------------------|
| 55482-***19 | MODEL NO. | ORDER NO. オーダー番号 |
|-------------|-----------|------------------|

|  |  |                  |                 |   |              |                        |  |
|--|--|------------------|-----------------|---|--------------|------------------------|--|
| REVISED<br>EC NO: J2010-0170<br>DRWN:TKON 2009/07/27<br>CHKD:KASAKAWA 2009/07/28<br>APPR:NUKITA 2009/07/29 | GENERAL TOLERANCES (UNLESS SPECIFIED)                |                  | DIMENSION STYLE | SCALE   | DESIGN UNITS | THIRD ANGLE PROJECTION |  |
|  |  |                  | MM ONLY         | 5:1   | METRIC       |                        |  |
|  | DESCRIPTION  | 10 UNDER         | ±0.2            | DRAWN BY  | DATE         | TITLE                  | MINI MI2 1-ROW RELAY<br>WAFER ASSY<br>-LEAD FREE-<br><b>MOLEX INCORPORATED</b><br>SD-55482-004<br>1 OF 1 |
|  |  | 10 OVER 30 UNDER | ±0.25           | Y. SAKIYAMA   | 04/05/10     |                        |  |
|  | 30 OVER  | ±0.3             | M. SASAO        | 04/05/10  |              |                        |  |
|  | ANGULAR ±3 °   |                  | APPROVED BY     | DATE  |              |                        |  |
|  | DRAFT WHERE APPLICABLE MUST REMAIN WITHIN DIMENSIONS |                  | M. SASAO        | 04/05/10  |              |                        |  |
|  |  |                  | MATERIAL NO.    | DOCUMENT NO.  | SHEET NO.    |                        |  |
|  |  |                  | SEE TABLE       |   |              |                        |  |
|  |  |                  | SIZE A3         | THIS DRAWING CONTAINS INFORMATION THAT IS PROPRIETARY TO MOLEX INCORPORATED AND SHOULD NOT BE USED WITHOUT WRITTEN PERMISSION |              |                        |  |