

PLEASE CHECK WWW.MOLEX.COM FOR LATEST PART INFORMATION

Part Number: [0855687883](#)
Status: **Active**
Overview: [modular_plugs_jacks](#)
Description: Modular Plug, Short Body, Shielded, 8/8, Green Boot, Cat6

Documents:

[3D Model](#) [Product Specification PS-85568-001 \(PDF\)](#)
[Drawing \(PDF\)](#) [RoHS Certificate of Compliance \(PDF\)](#)

Agency Certification

CSA LR19980
 UL E107635

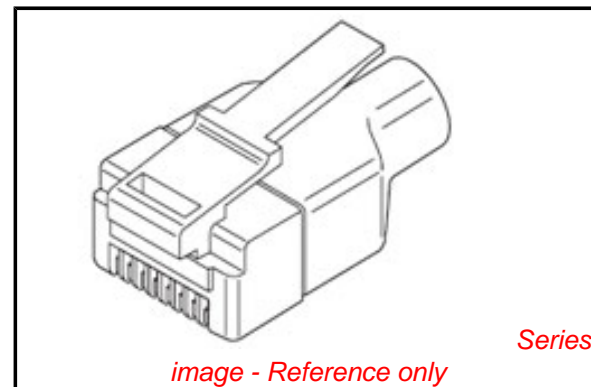
General

Product Family Modular Jacks/Plugs
 Series [85568](#)
 Component Type Wire Plug
 Magnetic No
 Overview [modular_plugs_jacks](#)
 Performance Category 6
 Power over Ethernet (PoE) N/A
 Product Name RJ45

Physical

Boot Color GREEN
 Color - Resin Clear
 Durability (mating cycles max) 750
 Flammability 94V-0
 Inverted / Top Latch N/A
 Lightpipes/LEDs None
 Material - Metal Phosphor Bronze
 Material - Plating Mating Gold
 Material - Plating Termination Tin-Lead
 Material - Resin Polycarbonate
 Orientation N/A
 PCB Locator No
 PCB Retention None
 Packaging Type Bag
 Panel Mount With Flange
 Pitch - Mating Interface (in) 0.040 In
 Pitch - Mating Interface (mm) 1.02 mm
 Pitch - Term. Interface (in) 0.040 In
 Pitch - Term. Interface (mm) 1.02 mm
 Plating min: Mating (µin) 12
 Plating min: Mating (µm) 0.3
 Plating min: Termination (µin) 50.8
 Plating min: Termination (µm) 1.27
 Ports 1
 Positions / Loaded Contacts 8/8
 Surface Mount Compatible (SMC) No
 Temperature Range - Operating -40°C to +80°C
 Termination Interface: Style IDT or Pierce
 Waterproof / Dustproof No
 Wire/Cable Type Round

Electrical



EU RoHS

**ELV and RoHS
 Compliant**
REACH SVHC
 Not Reviewed
**Halogen-Free
 Status**
 Not Reviewed

China RoHS



**Need more information on product
 environmental compliance?**

Email productcompliance@molex.com
 For a multiple part number RoHS Certificate of
 Compliance, [click here](#)

Please visit the [Contact Us](#) section for any
 non-product compliance questions.

Search Parts in this Series

[85568Series](#)

Mates With

[FCC 68 Jacks](#)

Application Tooling | FAQ

*Tooling specifications and manuals are
 found by selecting the products below.
 Crimp Height Specifications are then
 contained in the Application Tooling
 Specification document.*

Global

Description	Product #
Handtool for 85568 Telecom Plug, Type C Crimp with Diameter 6.0 Cable	0690081192

Current - Maximum per Contact	1.5A
Grounding to Panel	N/A
Shielded	Yes
Voltage - Maximum	125V AC (RMS)

Material Info

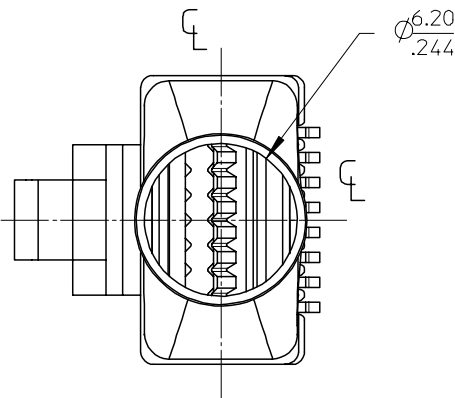
Reference - Drawing Numbers

Application Specification	AS-85568-002
Packaging Specification	PK-85568-001
Product Specification	PS-85568-001
Sales Drawing	SD-85568-001

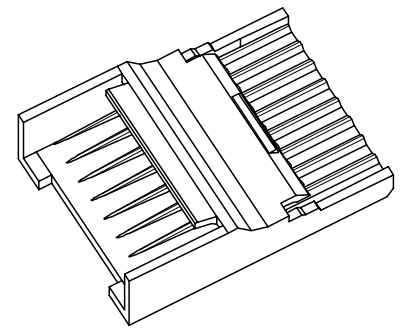
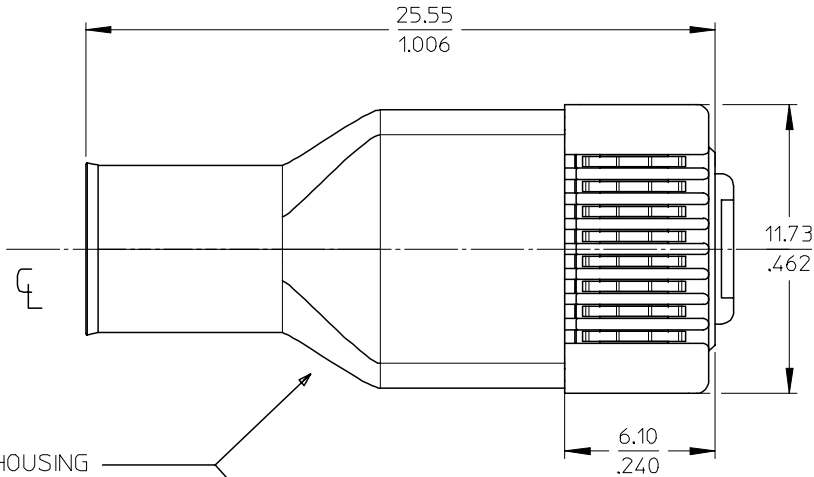
This document was generated on 06/08/2010

PLEASE CHECK WWW.MOLEX.COM FOR LATEST PART INFORMATION

10 9 8 7 6 5 4 3 2 1

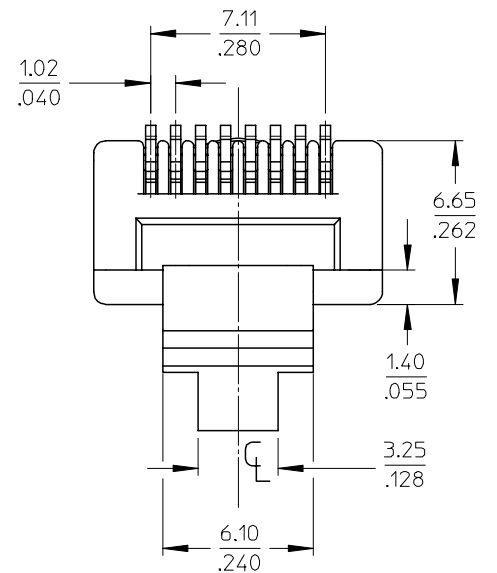
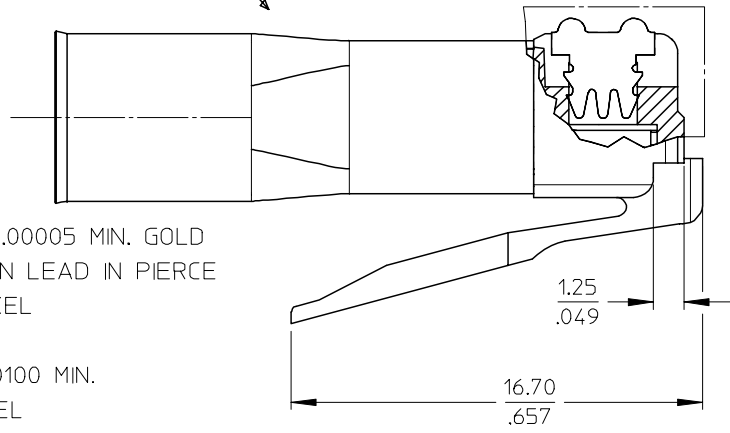


SHIELD ASSEMBLED ONTO HOUSING



NOTES:

- 1- MATERIAL:
 - PLUG HOUSING: CLEAR POLYCARBONATE UL94 V0
 - WIRE-MANAGER: CLEAR POLYCARBONATE UL94 V0
 - TERMINALS: PHOSPHOR BRONZE PLATED WITH 0.00127/.00005 MIN. GOLD IN CONTACT AREA, 0.00127/.00005 MIN. THIN LEAD IN PIERCE AREA BOTH OVER 0.00127/.00005 MIN. NICKEL
 - SHIELD: COPPER ALLOY PLATED WITH 0.00254/.000100 MIN. BRIGHT TIN OVER 0.00127/.00005 MIN. NICKEL



- 2- PRODUCT INTENDED TO TERMINATE ROUND SHIELDED PIMF CABLE WITH JACKET O.D.: 5.9 +0.2 -0.3/ .232 +.008 -.012 AS PER APPLICATION SPECIFICATION APPLICATION TOOLING- HAND TOOL:69008-1192 DIE SET:69008-1193
- 3- PRODUCT SPECIFICATION: PS-85568-001
- 4- APPLICATION SPECIFICATION: AS-85568-002
- 5- PACKAGING SPECIFICATION: PK-85568-001
- 6- MATING INTERFACE DIMENSIONS OF PLUG ACC. IEC 60603-7-1 FREE CONNECTOR-VARIANT 02

APP TOOLING ADDED TO NOTE 6 EC NO: E2007-0831 DRWN: PGRADY 2007/03/23 CHKD: 2007/03/23 APPR: EOMAHONY 2007/03/23	QUALITY SYMBOLS	GENERAL TOLERANCES (UNLESS SPECIFIED)	DIMENSION STYLE	SCALE	DESIGN UNITS	THIRD ANGLE PROJECTION
	▼=0 ∇=0	mm INCH 4 PLACES ± --- ± --- 3 PLACES ± --- ± --- 2 PLACES ± 0.25 ± .010 1 PLACE ± --- ± --- ANGULAR ± .5 °	MM/IN	5:1	METRIC	
	DESCRIPTION	DRAWN BY	DATE	TITLE		
	REV	SSTE INKE	2002/10/01	SHIELDED MOD. PLUG CAT.6 8 POS. WITH WIRE MANAGER ROUND CABLE		
	APPROVED BY	DATE	MOLEX INCORPORATED			
	MHEIM	2002/10/08	MATERIAL NO. DOCUMENT NO. SHEET NO.			
			SEE SHEET 2 SD-85568-001 1 OF 2			
	DRAFT WHERE APPLICABLE MUST REMAIN WITHIN DIMENSIONS					
	THIS DRAWING CONTAINS INFORMATION THAT IS PROPRIETARY TO MOLEX INCORPORATED AND SHOULD NOT BE USED WITHOUT WRITTEN PERMISSION					

9 8 7 6 5 4 3 2 1

10 9 8 7 6 5 4 3 2 1

F

E

D

C

B

A

F

E

D

C

B

A

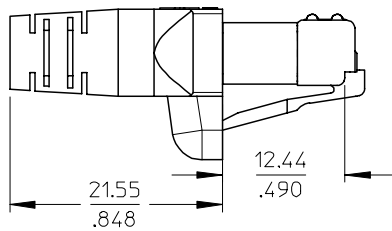
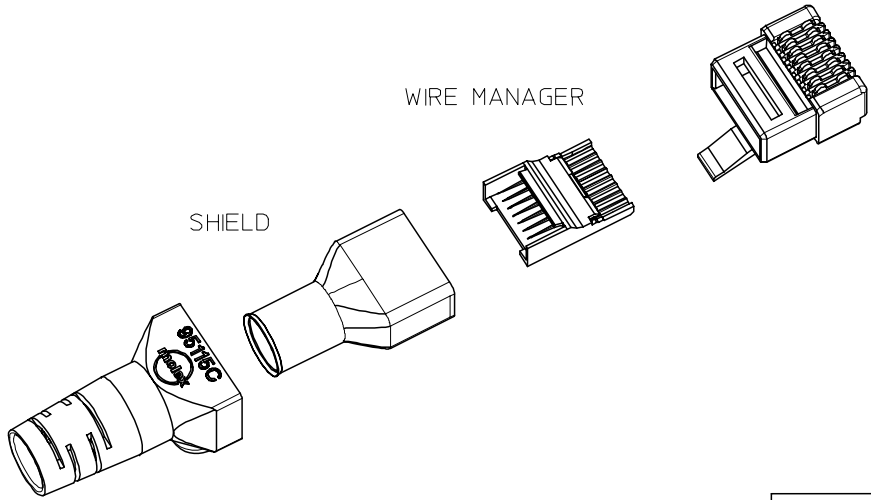
ASSEMBLY HOUSING

WIRE MANAGER

SHIELD

SHIELDED PLUG COMPOSITION

BOOT WITH LATCH PROTECTION
(IF REQUESTED)



ASSEMBLY PART NUMBER	BOOT WITH LATCH PROTECTION			PARTS/ UNIT	PACKAGING VERSION
	PART NUMBER	COLOR	RAL NBR		
85568-7880	NO BOOT			1	A
85568-7881	95115-4881	BLACK	9005	1	A
85568-7882	95115-4882	GREY	7012	1	A
85568-7883	95115-4883	GREEN	6016	1	A
85568-7884	95115-4884	RED	3000	1	A
85568-7885	95115-4885	YELLOW	1021	1	A
85568-7886	95115-4886	BLUE	5015	1	A
85568-7887	95115-4887	ORANGE	2004	1	A

EC NO: E2007-0831 DRWN: PGRADY 2007/03/23 CHKD: 2007/03/23 APPR: EOMAHONY 2007/03/23	QUALITY SYMBOLS	GENERAL TOLERANCES (UNLESS SPECIFIED)	DIMENSION STYLE	SCALE	DESIGN UNITS	THIRD ANGLE PROJECTION
	▽=0 ∇=0	mm INCH 4 PLACES ± --- ± --- 3 PLACES ± --- ± --- 2 PLACES ± 0.25 ± .010 1 PLACE ± --- ± --- ANGULAR ± .5 °	MM/IN	2:1	METRIC	
	DESCRIPTION	DRAWN BY	DATE	TITLE	MOLEX INCORPORATED SD-85568-001	
	REV	DATE	DATE	DATE	DATE	DATE