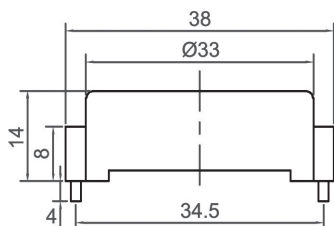
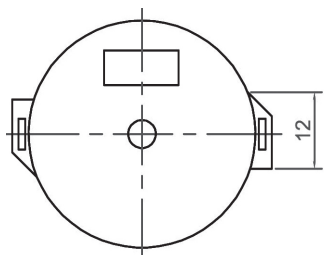
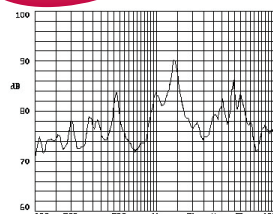


# External Drive Piezo Transducer (AC)



**CPT3914**

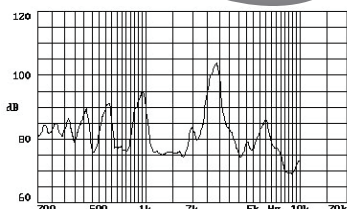
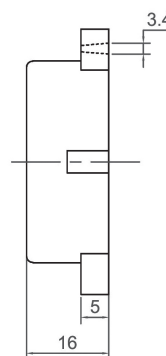
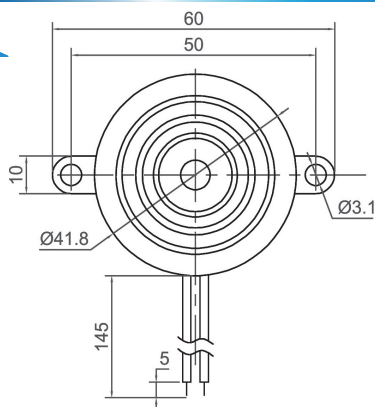


| Canopus Part no. | Min sound Output (dBA) | Rated Voltage (V) | Max Input Voltage (V) | Resonant Frequency (Hz) | Capacitance (pF)     | Operating Temperature (°C) | Housing | Weight (g) |
|------------------|------------------------|-------------------|-----------------------|-------------------------|----------------------|----------------------------|---------|------------|
| CPT3914G13TP     | 80 AT 10cm             | 9 Vp-p            | 40 Vp-p               | 1300                    | 48000 ± 30% at 120Hz | -20 ~ +70                  | PBT     | 5          |

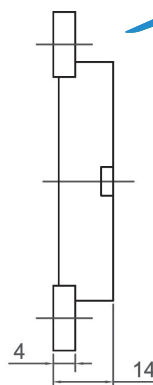
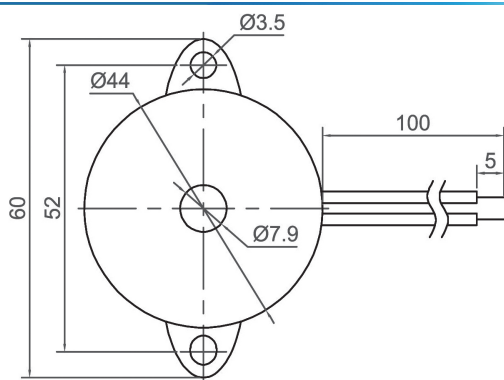
**CANOPUS**



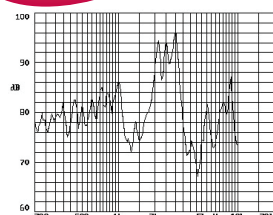
**CPT4216**



| Canopus Part no. | Min sound Output (dBA) | Rated Voltage (V) | Max Input Voltage (V) | Resonant Frequency (Hz) | Capacitance (pF)     | Operating Temperature (°C) | Housing | Weight (g) |
|------------------|------------------------|-------------------|-----------------------|-------------------------|----------------------|----------------------------|---------|------------|
| CPT4216I28BW     | 90 AT 30cm             | 12 Vp-p           | 30 Vp-p               | 2800                    | 35000 ± 30% at 120Hz | -20 ~ +60                  | ABS     | 10         |



**CPT4414**



| Canopus Part no. | Min sound Output (dBA) | Rated Voltage (V) | Max Input Voltage (V) | Resonant Frequency (Hz) | Capacitance (pF)     | Operating Temperature (°C) | Housing | Weight (g) |
|------------------|------------------------|-------------------|-----------------------|-------------------------|----------------------|----------------------------|---------|------------|
| CPT4414I10BW     | 80 AT 30cm             | 12 Vp-p           | 30 Vp-p               | 1000                    | 66000 ± 30% at 120Hz | -30 ~ +60                  | ABS     | 12         |

**Your Efficient Supplier**  
[www.canopus.com.hk](http://www.canopus.com.hk)

TEL.: (852) 2806 2812

Fax: (852) 2652 2216