

## INTELLIGENT POWER HIGH SIDE SWITCH

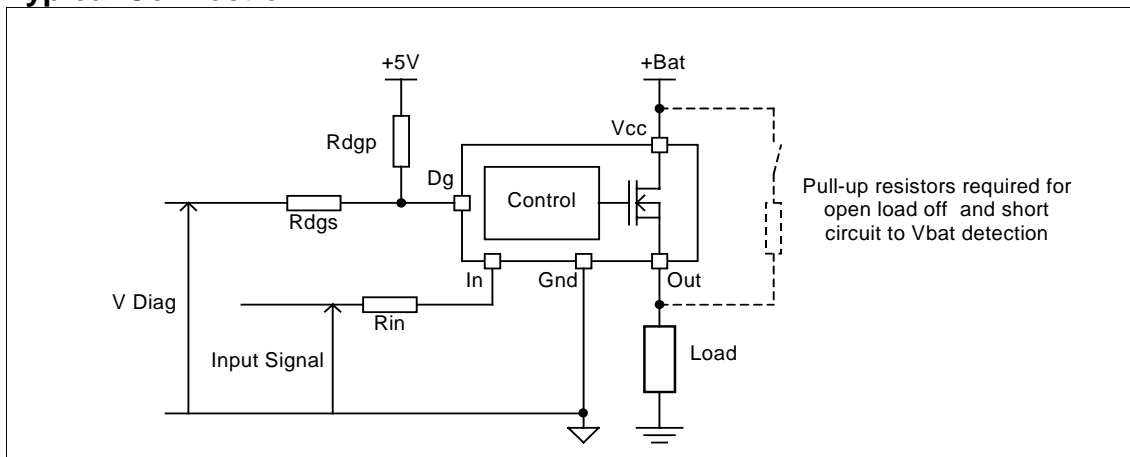
### Features

- Over temperature shutdown (with auto-restart)
- Short circuit protection (current limit)
- Reverse battery protection (turns On the MOSFET)
- Full diagnostic capability (short circuit to battery)
- Active clamp
- Open load detection in On and Off state
- Ground loss protection
- Logic ground isolated from power ground
- ESD protection

### Description

The IPS6044GPbF is quad output Intelligent Power Switch (IPS) for use in a high side configuration. It features short circuit, over-temperature, ESD protection, inductive load capability and diagnostic feedback. The output current is limited to the Ilim value. The current limitation is activated until the thermal protection acts. The over-temperature protection turns off the device if the junction temperature exceeds the Tshutdown value. It will automatically restart after the junction has cooled 7°C below the Tshutdown value. The reverse battery protection turns On the MOSFET. A diagnostic pin provides different voltage levels for each fault condition. The double level shifter circuitry will allow large offsets between the logic and load ground.

### Typical Connection



### Product Summary

Rds(on)	130mΩ max.
Vclamp	39V
I Limit	7A
Open load	3V / 0.22A

### Package



SO28 Wide body

**Qualification Information<sup>†</sup>**

<b>Qualification Level</b>		Automotive (per AEC-Q100 <sup>††</sup> )	
		Comments: This family of ICs has passed an Automotive qualification. IR's Industrial and Consumer qualification level is granted by extension of the higher Automotive level.	
<b>Moisture Sensitivity Level</b>		SOIC28W	MSL2, 260°C (per IPC/JEDEC J-STD-020)
<b>ESD</b>	Machine Model	Class B (per JEDEC standard JESD22-A115)	
	Human Body Model	Class 1C (per EIA/JEDEC standard EIA/JESD22-A114)	
<b>RoHS Compliant</b>		Yes	

<sup>†</sup> Qualification standards can be found at International Rectifier's web site <http://www.irf.com/>

<sup>††</sup> Exceptions to AEC-Q100 requirements are noted in the qualification report.

## Absolute Maximum Ratings

Absolute maximum ratings indicate sustained limits beyond which damage to the device may occur. All voltage parameters are referenced to Ground lead. (Tambient=25°C unless otherwise specified).

Symbol	Parameter	Min.	Max.	Units
Vout	Maximum output voltage	Vcc-35	Vcc+0.3	V
Voffset	Maximum logic ground to load ground offset	Vcc-35	Vcc+0.3	
Vin	Maximum input voltage	-0.3	5.5	
Vcc max.	Maximum Vcc voltage	—	36	
Vcc cont.	Maximum continuous Vcc voltage	—	28	
Iin max.	Maximum IN current	-3	10	mA
I <sub>dg</sub> max.	Maximum diagnostic output current	-3	10	
V <sub>dg</sub>	Maximum diagnostic output voltage	-0.3	5.5	V
Pd	Maximum power dissipation (internally limited by thermal protection) R <sub>th</sub> =130°C/W per channel	—	3.8	W
ESD	Electrostatic discharge voltage (Human body) C=100pF, R=1500Ω Between In and Vcc	—	1500	V
	Other combinations	—	4000	
	Electrostatic discharge voltage (Machine Model) C=200pF, R=0Ω, L=10μH Between In and Vcc	—	100	
	Other combinations	—	500	
T <sub>j</sub> max.	Max. storage & operating temperature junction temperature	-40	150	°C
T <sub>soldering</sub>	Soldering temperature (10 seconds)	—	300	°C

## Thermal Characteristics

Symbol	Parameter	Typ.	Max.	Units
R <sub>th1</sub>	Thermal resistance junction to ambient 1" sqrt. Footprint / 1 channel On	50	—	°C/W
R <sub>th2</sub>	Thermal resistance junction to ambient 1" sqrt. Footprint / 2 channels On	100	—	
R <sub>th3</sub>	Thermal resistance junction to ambient 1" sqrt. Footprint / 4 channels On	130	—	

note : T<sub>j</sub>=Power dissipated in one channel x R<sub>th</sub>

## Recommended Operating Conditions

These values are given for a quick design. For operation outside these conditions, please consult the application notes.

Symbol	Parameter	Min.	Max.	Units
V <sub>IH</sub>	High level input voltage	4	5.5	
V <sub>IL</sub>	Low level input voltage	0	0.9	
I <sub>out</sub>	Continuous drain current, R <sub>th</sub> =130°C/W, T <sub>j</sub> =150°C, 4 channels On T <sub>ambient</sub> =85°C / 1" sqrt. footprint T <sub>ambient</sub> =105°C / 1" sqrt. footprint	—	1.5 1.2	A
R <sub>in</sub>	Recommended resistor in series with IN pin	4	10	
R <sub>dgs</sub>	Recommended resistor in series with DG pin for reverse battery protection	4	20	kΩ
R <sub>dgp</sub>	Recommended pull-up resistor for DG	4	20	
R <sub>ol</sub>	Recommended pull-up resistor for open load detection	5	100	
F max.	Max. switching frequency	—	3.5	kHz

## Static Electrical Characteristics

T<sub>j</sub>=25°C, V<sub>cc</sub>=14V (unless otherwise specified)

Symbol	Parameter	Min.	Typ.	Max.	Units	Test Conditions
R <sub>ds(on)</sub>	ON state resistance T <sub>j</sub> =25°C	—	110	130	mΩ	V <sub>in</sub> =5V, I <sub>out</sub> =2.5A
	ON state resistance T <sub>j</sub> =150°C(1)	—	190	230		V <sub>in</sub> =5V, I <sub>out</sub> =2.5A
	ON state resistance T <sub>j</sub> =25°C, V <sub>cc</sub> =6V	—	125	155		V <sub>in</sub> =5V, I <sub>out</sub> =1.5A
	ON state resistance during reverse battery	—	140	180		V <sub>cc</sub> -Gnd=14V
V <sub>cc op.</sub>	Operating voltage range	6	—	28	V	
V clamp 1	V <sub>cc</sub> to Out clamp voltage 1	37	39	—		I <sub>out</sub> =20mA
V clamp 2	V <sub>cc</sub> to Out clamp voltage 2	—	40	42		I <sub>out</sub> =2.5A (see Fig. 1)
I <sub>cc Off</sub>	Supply current when Off	—	4	9	μA	V <sub>in</sub> =0V, V <sub>out</sub> =0V
I <sub>cc On</sub>	Supply current when On	—	2.2	5	mA	V <sub>in</sub> =5V
V <sub>ih</sub>	Input high threshold voltage	—	2.5	2.9	V	
V <sub>il</sub>	Input low threshold voltage	1.5	2	—		
I <sub>n hyst.</sub>	Input hysteresis	0.2	0.5	1		
I <sub>in On</sub>	Input current when device is On	—	45	100		
I <sub>dg</sub>	Dg leakage current	—	0.1	10	μA	V <sub>dg</sub> =5V
V <sub>dg</sub>	Low level DG voltage	—	0.25	0.4	V	I <sub>dg</sub> =1.6mA

## Switching Electrical Characteristics

V<sub>cc</sub>=14V, Resistive load=6Ω, V<sub>in</sub>=5V, T<sub>j</sub>=25°C

Symbol	Parameter	Min.	Typ.	Max.	Units	Test Conditions
T <sub>don</sub>	Turn-on delay time	—	5	15	μs	see Fig. 3
Tr1	Rise time to V <sub>out</sub> =V <sub>cc</sub> -5V	—	3	10		
Tr2	Rise time to V <sub>out</sub> =0.9 x V <sub>cc</sub>	—	4	20		
dV/dt (On)	Turn On dV/dt	—	2.5	5	V/μs	
E <sub>On</sub>	Turn On energy	—	100	—	μJ	
T <sub>doff</sub>	Turn-off delay time	—	10	20	μs	
T <sub>f</sub>	Fall time to V <sub>out</sub> =0.1 x V <sub>cc</sub>	—	3	10		
dV/dt (Off)	Turn Off dV/dt	—	6.5	20	V/μs	
E <sub>Off</sub>	Turn Off energy	—	50	—	μJ	

## Protection Characteristics

T<sub>J</sub>=25°C, V<sub>CC</sub>=14V (unless otherwise specified)

Symbol	Parameter	Min.	Typ.	Max.	Units	Test Conditions
I <sub>lim</sub>	Internal current limit	4	7	10	A	V <sub>out</sub> =0V
T <sub>sd+</sub>	Over temperature high threshold	150(1)	165	—	°C	See fig. 2
T <sub>sd-</sub>	Over temperature low threshold	—	158	—		
V <sub>sc</sub>	Short-circuit detection voltage(2)	2	3	4		
UV		—	5	5.9	V	
UV hyst.		0.25	—	1.6		
VOL Off	Open load detection threshold	2	3	4		
I <sub>OL</sub> On	Open load detection threshold	0.05	0.15	0.22	A	

(1) Guaranteed by design

(2) Reference to V<sub>CC</sub>

## True Table

Operating Conditions	IN	OUT	DG
Normal	H	H	H
Normal	L	L	H
Open Load	H	H	L
Open Load (3)	L	H	L
Short circuit to Gnd	H	L	L
Short circuit to Gnd	L	L	H
Short circuit to V <sub>CC</sub>	H	H	L (4)
Short circuit to V <sub>CC</sub> (5)	L	H	L
Over-temperature	H	L	L
Over-temperature	L	L	H

(3) With a pull-up resistor connected between the output and V<sub>CC</sub>.

(4) V<sub>ds</sub> lower than 10mV.

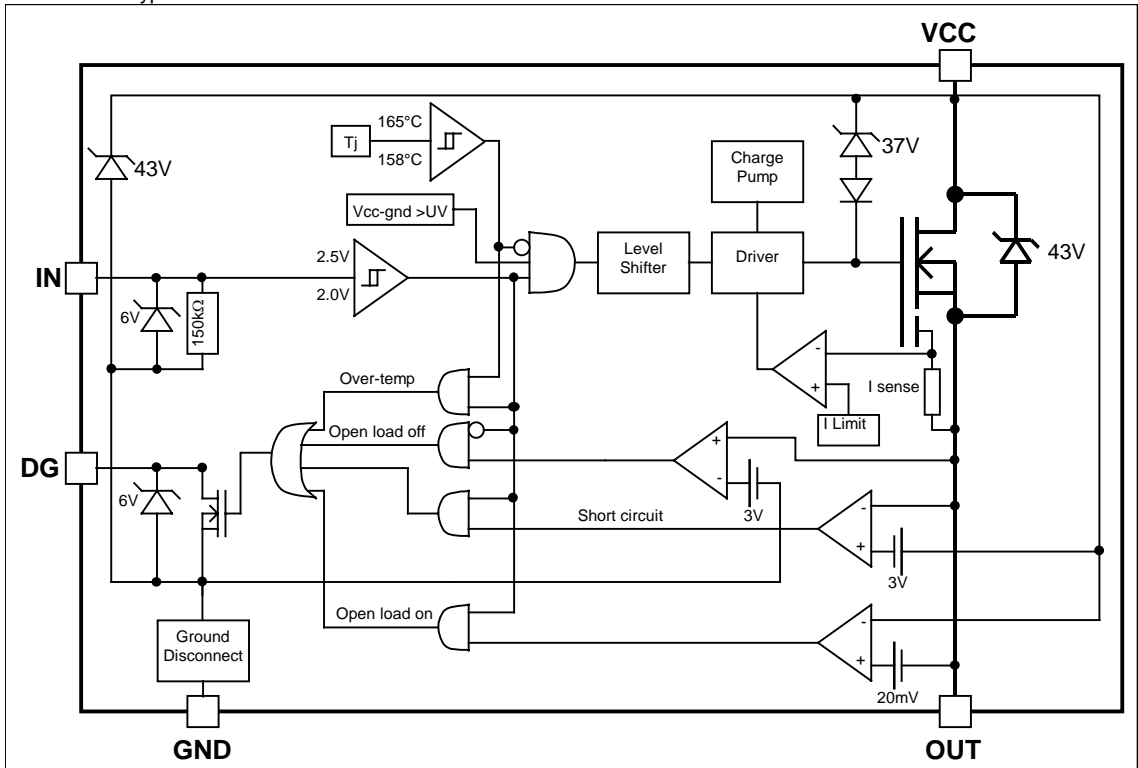
(5) Without a pull-up resistor connected between the output and V<sub>CC</sub>.

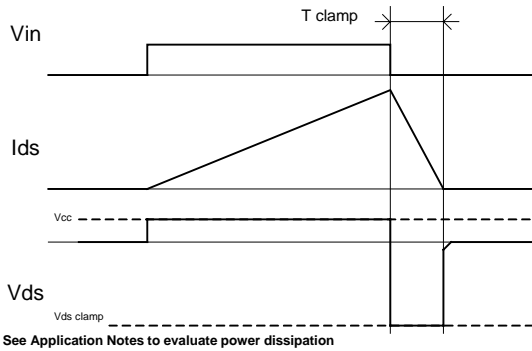
## Lead Assignments

1- Vcc	15- Vcc	
2- GND1	16- OUT4	
3- IN1	17- OUT4	
4- DG1	18- OUT4	
5- DG2	19- OUT3	
6- IN2	20- OUT3	
7- GND2	21- OUT3	
8- GND3	22- OUT2	
9- IN3	23- OUT2	
10- DG3	24- OUT2	
11- DG4	25- OUT1	
12- IN4	26- OUT1	
13- GND4	27- OUT1	
14- VCC	28- Vcc	

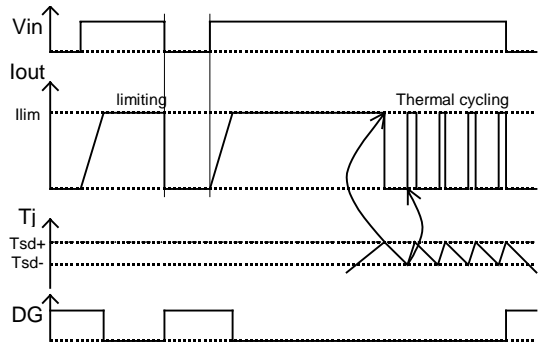
**Functional Block Diagram**

All values are typical

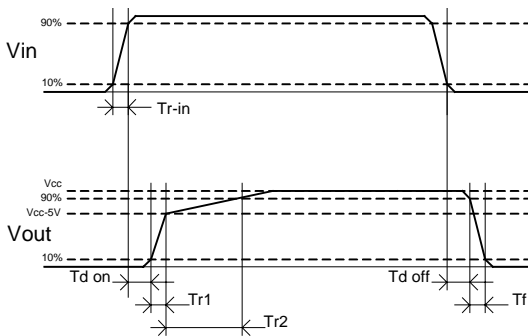




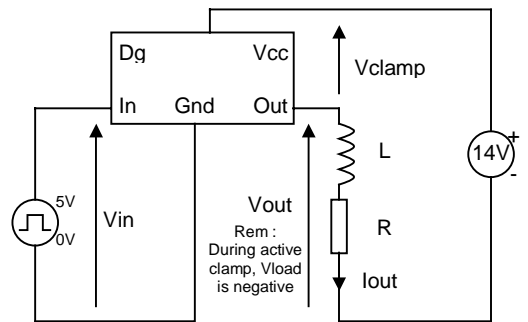
**Figure 1 – Active clamp waveforms**



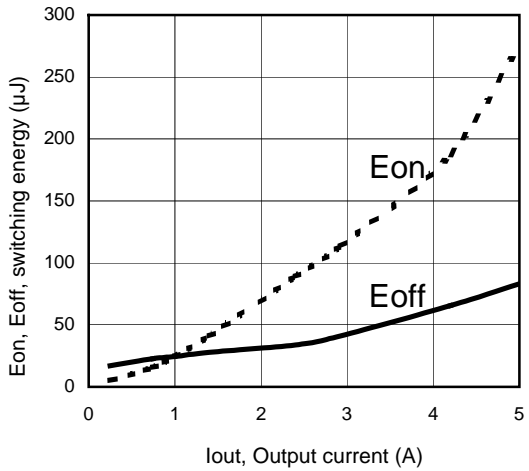
**Figure 2 – Protection timing diagram**



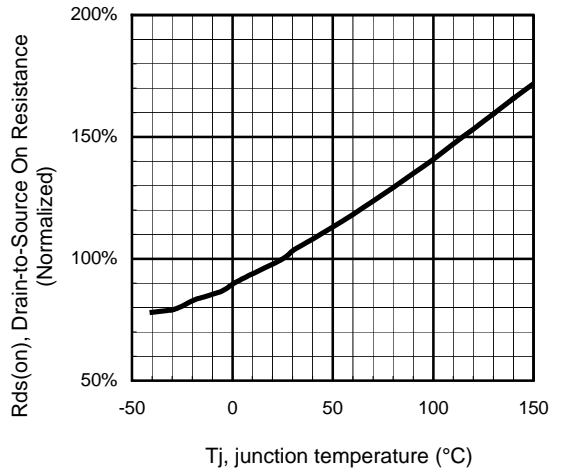
**Figure 3 – Switching times definitions**



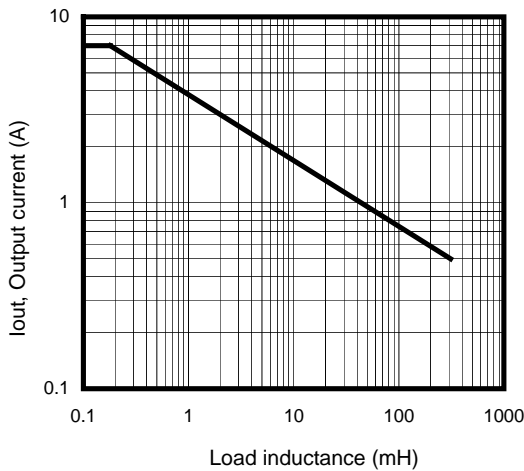
**Figure 4 – Active clamp test circuit**



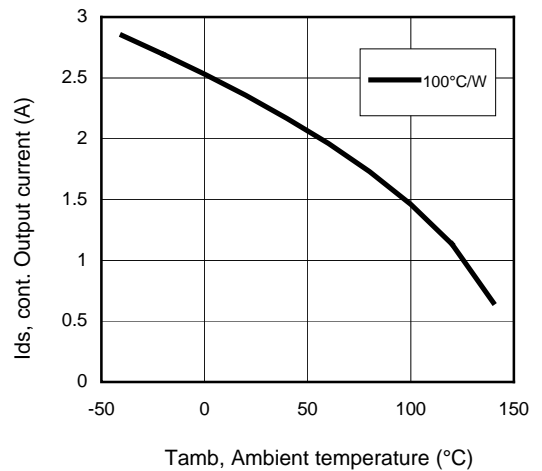
**Figure 5 – Switching energy (μJ) Vs Output current (A)**



**Figure 6 - Normalized R<sub>ds(on)</sub> (%) Vs T<sub>j</sub> (°C)**

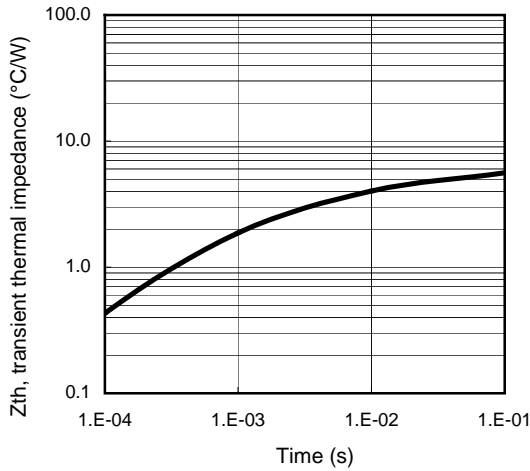


**Figure 7 – Max. Output current (A) Vs Load inductance (mH)**

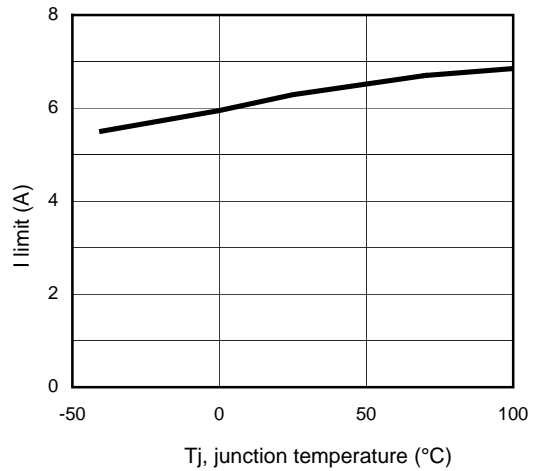


**Figure 8 – Max. output current (A) Vs Ambient temperature (°C)**

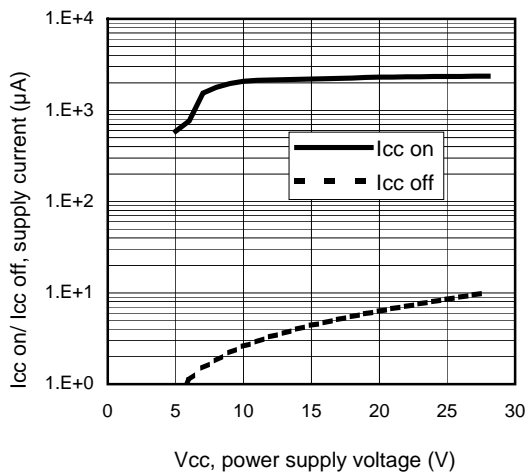




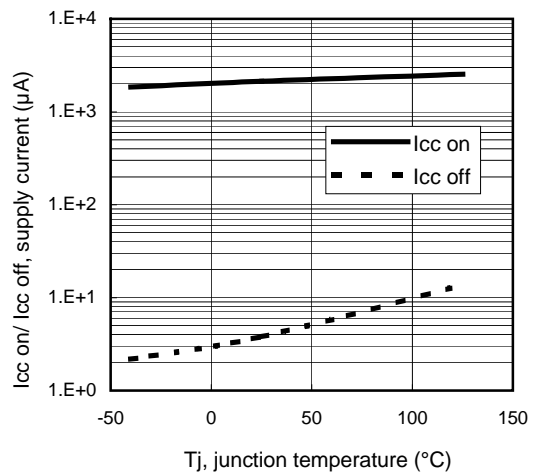
**Figure 9 – Transient thermal impedance (°C/W) Vs time (s)**



**Figure 10 – I limit (A) Vs junction temperature (°C)**

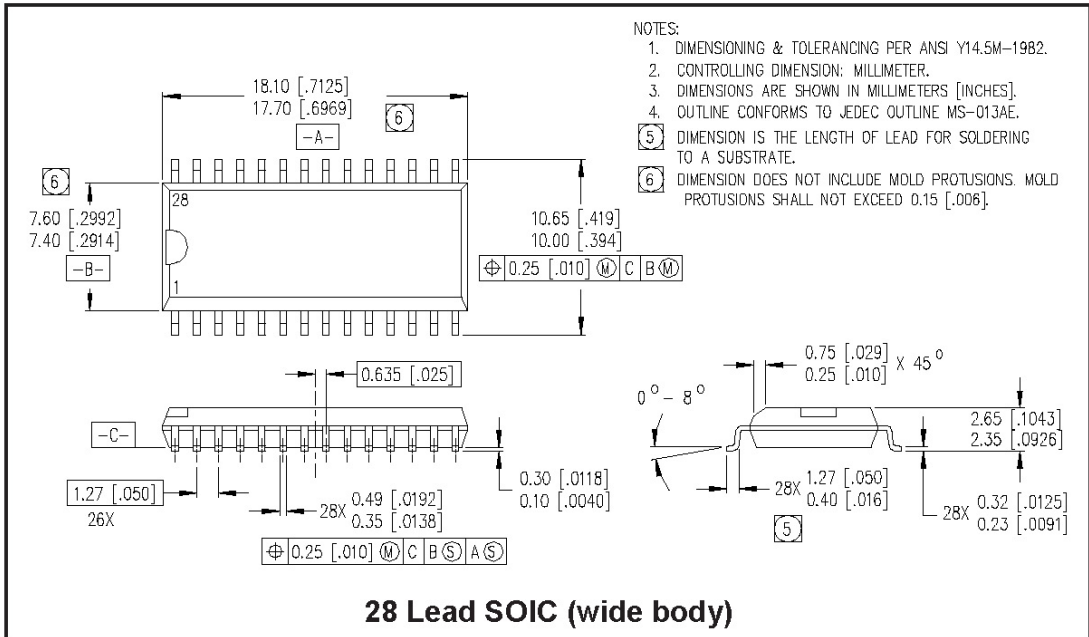


**Figure 11 – Icc on/ Icc off (µA) Vs Vcc (V)**



**Figure 12 – Icc on/ Icc off (µA) Vs Tj (°C)**

**Case Outline – SO28**



The information provided in this document is believed to be accurate and reliable. However, International Rectifier assumes no responsibility for the consequences of the use of this information. International Rectifier assumes no responsibility for any infringement of patents or of other rights of third parties which may result from the use of this information. No license is granted by implication or otherwise under any patent or patent rights of International Rectifier. The specifications mentioned in this document are subject to change without notice. This document supersedes and replaces all information previously supplied.

For technical support, please contact IR's Technical Assistance Center  
<http://www.irf.com/technical-info/>

**WORLD HEADQUARTERS:**  
 233 Kansas St., El Segundo, California 90245  
 Tel: (310) 252-7105

**Revision History**

<b>Revision</b>	<b>Date</b>	<b>Notes/Changes</b>
A	25/04/08	First release