



JMB350 SATA II Port Multiplier (1 to 2 ports)



Description

The JMB350 is a bridge controller, which translates the communication protocol between SATA II 3.0G. This chip integrated 83MIPS 8051, and provide eSATA II 3.0G to dual SATA II 3.0G port multiplier applications in a single chip.

In this chip, the SATA controller could be configured as host or device. The 3-port SATA II 3.0G controllers further supports the eSATA to dual SATA communication. Integrated these two technologies, the user could perform JMB350 to the following applications.

- eSATA to dual SATA bridge port multiplier application
- One-button system backup application for above applications. (With SATA Vender Software Application)

Features

- Compliance with Serial ATA International Organization: Serial ATA Revision 2.6
- Compliance with Gen1i, Gen1m, Gen2i and Gen2m of Serial ATA International Organization: Serial ATA Revision 2.6
- Support SATA 1.5G/3.0G Speed Negotiation
- Support SATA II Asynchronous Signal Recovery (Hot Plug) feature
- Support SATA Host/Device controller configuration
- Support ATA/ATAPI PACKET command feature set
- Support SATA 30MHz external crystal
- Integrated 83MIPS 8051 microprocessor with 64k-byte mask ROM
- Support 9 GPIO
- 0.13um CMOS technology with QFN 64 package
- Support SATA Port Multiplier function with FIS-based and command-based switching

Quick Reference

Signal Bit Rate	3.0 Gbps
Power Supply	3.3V and 1.2V
GPIO Support	UP to 9
ESD Protection	2000 V
Package	64-pin QFN
SATA Port	3
USB Port	1
Applications	<ul style="list-style-type: none"> • Port Multiplier • Support STB, DTV, mediaplayer platform to provide additional SATA port • Mass storage devices • Optical storage • Storage system

Functional Block Diagram

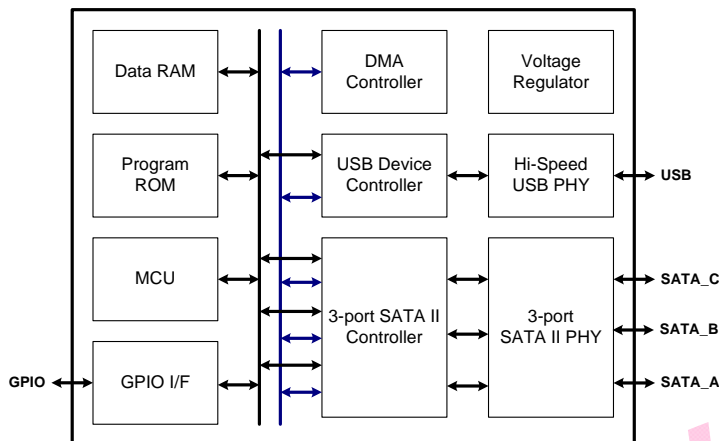


Fig. 1 Functional Block Diagram of JMB352

Applications

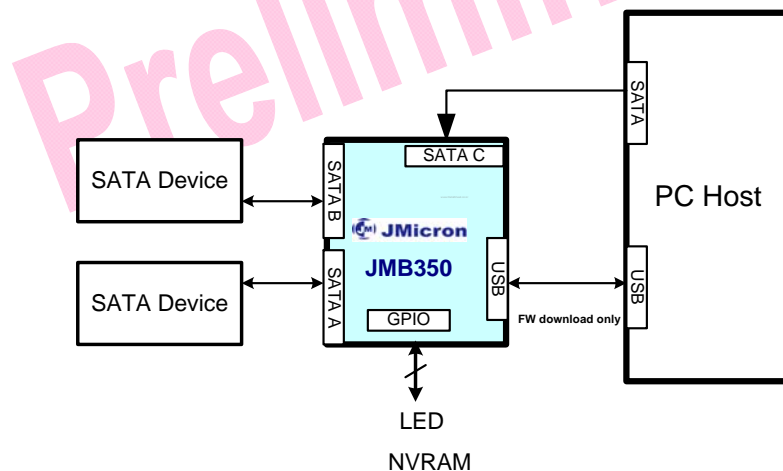


Fig. 2 eSATA dual SATA port multiplier application

Product Information

Name	Description
JMB350	SATA II Port Multiplier (1 to 2 ports)

Design Kit

1	JMB350 Data Sheet
2	JMB350 Design Guide
3	Application EVB

Contact Information

Department	Email
Sales	sales@jmicron.com
Tech. Support	fae@jmicron.com