

# PM7102 VALOR

## Ethernet DC/DC Converter

Datasheet [pm7102.pdf](#)

**PM7102** is ethernet unregulated DC/DC converter with isolation (input/output) in plastic 24-pin case.

www.DataSheet4U.com

Newer improved the **PM7202** series has increased isolation (2 kV), better efficiency (75%), lower input current and enable pin for remote ON/OFF). See other datasheet – [pm7202.pdf](#)

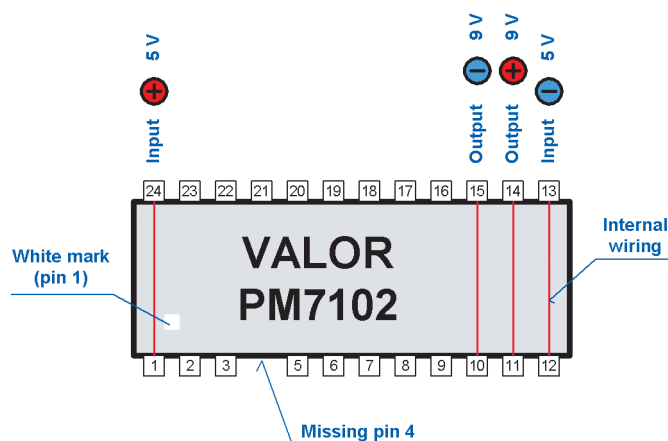
### Voltage Range

Input	5 V
Output	9 V

### Measured characteristics

(Input = 5 V)

Input I [mA]	Output	
	I [mA]	U [V]
96	0	10,00
98	1	9,90
107	5	9,80
118	10	9,70
139	20	9,60
161	30	9,50
181	40	9,40
200	50	9,30
220	60	9,25
238	70	9,23
258	80	9,12
277	90	9,03
295	100	8,97
315	110	8,91
333	120	8,85
353	130	8,80
376	140	8,76
388	150	8,70



### Replacements

Valor	PM7102
Valor	PM7202
NC	DM-1001
Function	DC0509C2

pin spacing	2,54 mm
row pitch	15,24 mm
plastic case	14,5 × 11,2 × 32,5 mm

Compiled by: Libor Kubica – Prague, Czech Republic – [libor.kubica@volny.cz](mailto:libor.kubica@volny.cz)