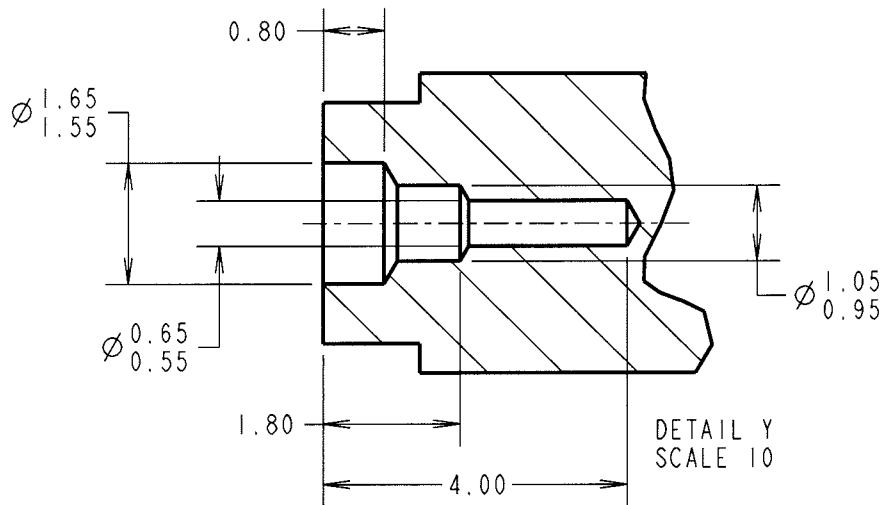
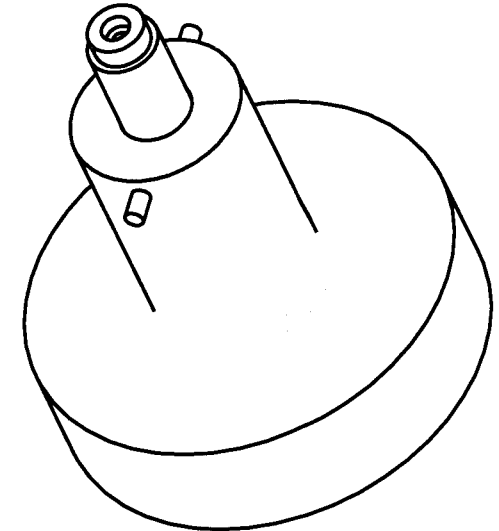


SECTION X-X



DETAIL Y
SCALE 10

NOTES:

1. MAY BE PURCHASED COMPLETE. FOR INDIVIDUAL COMPONENT DRAWINGS, SEE TABLE. GRUB SCREW IS ASSEMBLED USING 1/8" ALLEN KEY.
2. TO BE USED WITH HAND CRIMP TOOL M22520/2-01 AND INSTRUCTION SHEET IS-01.
3. PIECE PARTS MACHINED TO THE DRAWINGS IN THE TABLE ARE NOT THE SAME PROFILES AS THE PURCHASED ITEM, AND CANNOT BE USED AS REPLACEMENT PARTS.
4. SUITABLE FOR USE WITH M80-19400XX AND M80-19500XX MALE CRIMP CONTACTS FOR JACKSCREW DATAMATE.

PART No.	DESCRIPTION
TD218A	POSITIONER BODY
TD218E	LOCATOR
Y1721-00	SPRING
Z1720-00	GRUB SCREW

WJB	1	24.10.03	----
NAME	ISS.	DATE	C/NOTE
APPROVED: <i>[Signature]</i>			
CHECKED: <i>[Signature]</i>			
DRAWN: W. J. BOURNE			
CUSTOMER REF.:			
ASSEMBLY DRG:			

HARWIN

THIS DRAWING AND ANY INFORMATION OR DESCRIPTIVE MATTER SET OUT HEREON ARE CONFIDENTIAL AND COPYRIGHT PROPERTY OF THE HARWIN GROUP AND MUST NOT BE DISCLOSED, LOANED, COPIED OR USED FOR MANUFACTURING, TENDERING OR FOR ANY OTHER PURPOSE WITHOUT THEIR WRITTEN PERMISSION.

TOLERANCES
 X. = ±1mm
 X.X = ±0.25mm
 X.XX = ±0.10mm
 X.XXX = ±0.01mm
 ANGLES = ±5°
 UNLESS STATED

MATERIAL:
 SEE TABLE
 FINISH:
 S/AREA: mm²

TITLE:
 CRIMP TOOL POSITIONER
 FOR MALE CRIMP J/S DATAMATE

HARWIN INC U.S.A. TEL: (812) 542 2540 FAX: (812) 542 2541	HARWIN PLC U.K. TEL: 023 9231 4545 FAX: 023 9231 4590	HARWIN PTE SINGAPORE TEL: 65 6779 4909 FAX: 65 6779 3868
--	--	---

DRAWING NUMBER:
Z80-193
 SHT 1 OF 1