

PLEASE CHECK WWW.MOLEX.COM FOR LATEST PART INFORMATION

Part Number: [0314081081](#)
Status: **Active**
Overview: stac64 single multipocket and hybrid header system
Description: USCAR 2.54mm (.100") Pitch Receptacle, 8 Circuits, Polarization B, Gray

Documents:

[Drawing \(PDF\)](#) [Product Specification PS-31408-100 \(PDF\)](#)
[Application Specification \(PDF\)](#) [RoHS Certificate of Compliance \(PDF\)](#)

General

Product Family	Crimp Housings
Series	31408
Comments	Polarization B
Overview	<u>stac64 single multipocket and hybrid header system</u>
Product Name	USCAR

Physical

Circuits (maximum)	8
Circuits Detail	8
Color - Resin	Gray
Gender	Female
Glow-Wire Compliant	No
Keying to Mating Part	None
Lock to Mating Part	No
Material - Resin	Modified Polystyrene
Number of Rows	2
Packaging Type	Carton
Panel Mount	No
Pitch - Mating Interface (in)	0.100 In
Pitch - Mating Interface (mm)	2.54 mm
Polarized to Mating Part	Yes
Ports	1
Stackable	No
Temperature Range - Operating	-40°C to +100°C

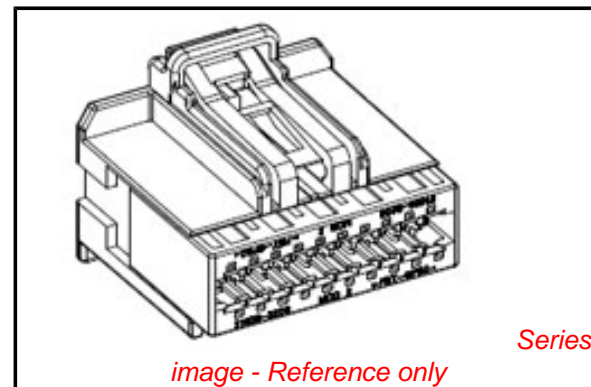
Electrical

Current - Maximum per Contact	10.2A
-------------------------------	-------

Material Info

Reference - Drawing Numbers

Application Specification	AS-31408-100
Packaging Specification	PK-31300-044
Product Specification	PS-31408-100
Sales Drawing	SD-31408-900



EU RoHS

ELV and RoHS Compliant
REACH SVHC
Contains SVHC: No
Halogen-Free
Status
Not Reviewed

China RoHS



Need more information on product environmental compliance?

Email productcompliance@molex.com
 For a multiple part number RoHS Certificate of Compliance, [click here](#)

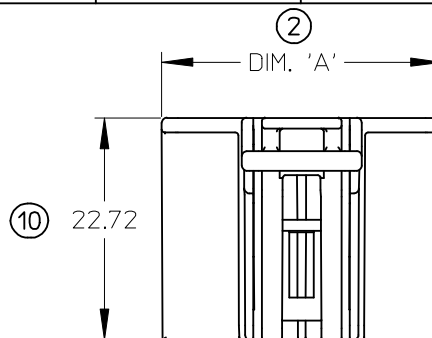
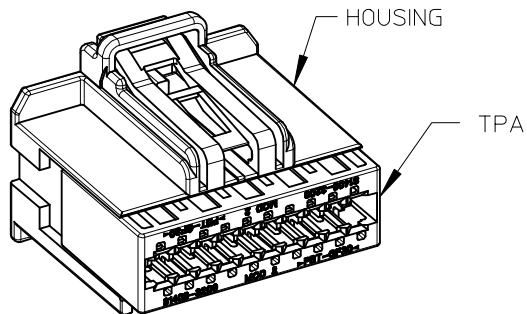
Please visit the [Contact Us](#) section for any non-product compliance questions.

Search Parts in this Series

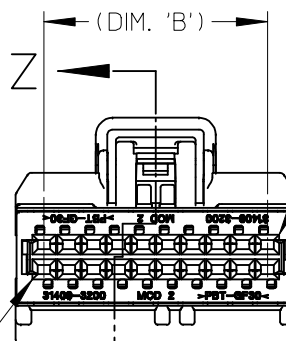
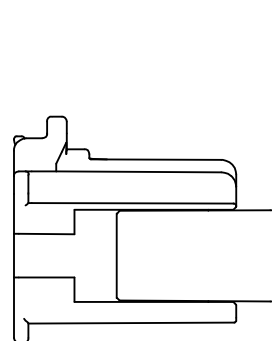
[31408Series](#)

Mates With

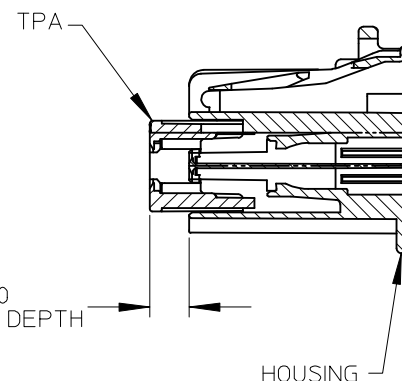
[34691](#) Stac64 Right Angle Assembly. [34690](#) Stac64 Vertical Assembly



VIEW SHOWN WITH TPA
IN LOCKED POSITION



FRONT VIEW



SECTION Z-Z

NOTES:

1. MATERIALS:

HOUSING: SPS/PA66 BLEND, 30% GF
TPA: PBT, GF
COLOR: NATURAL (CREAM)

2. PACKAGING INFORMATION: PK-31300-044

3. MATING COMPONENTS:

NEW APPLICATIONS:

REFER TO SD-34691-100 & SD-34690-100

EXISTING APPLICATIONS (RESTRICTED):

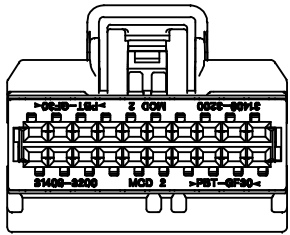
REFER TO SD-31429-700 & SD-31411-700

4. TPA's MAY BECOME SEATED DURING TRANSIT. IF THIS OCCURS, REFERENCE MOLEX PRODUCT SPECIFICATION PS-34646-001.

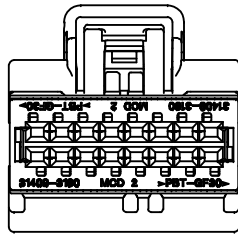
5. TO BE USED WITH TYCO TERMINAL: 18/20 AWG 1393366-1
22 AWG 1393367-1

EC NO: UAU2008-0100 DRWN:BDICK01 2008/08/22 CHKD: 2008/08/28 APPR:SMARCEAZ08/08/28 G	QUALITY SYMBOLS	GENERAL TOLERANCES (UNLESS SPECIFIED)	SCALE 2:1	DESIGN UNITS METRIC	THIRD ANGLE PROJECTION	REVISE ON CAD ONLY
	▼ = 0 ▽ = 0	mm INCH	DIMENSION STYLE MM ONLY	TITLE		
		4 PLACES ± --- ± --- 3 PLACES ± --- ± --- 2 PLACES ± 0.13 ± --- 1 PLACE ± 0.25 ± --- ANGULAR ± 3°	DRAWN BY SKAROLEW DATE 2004/02/17 CHECKED BY MDANIELS DATE 2004/03/31	USCAR 0.64MM RECEPTACLE ASSY, GET TERMINAL SALES DRAWING		
	DRAFT WHERE APPLICABLE MUST REMAIN WITHIN DIMENSIONS	APPROVED BY BBWILSON DATE 2004/04/06	MATERIAL NO. SEE CHART DOCUMENT NO. SD-31408-900 SHEET NO. 1 OF 3			

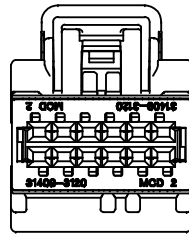
10 9 8 7 6 5 4 3 2 31408



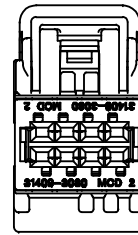
20 WAY



16 WAY

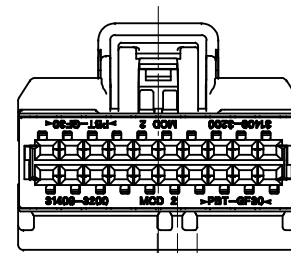


12 WAY

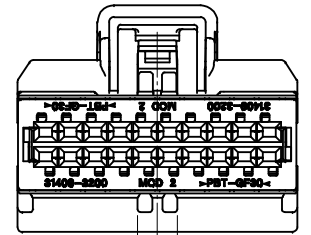


8 WAY

POLARIZATION 'A' OPTION
(ALL CIRCUITS SHOWN)



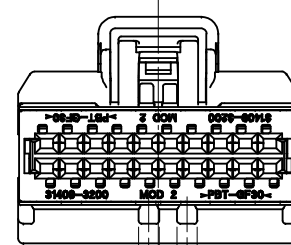
POLARIZATION 'A'



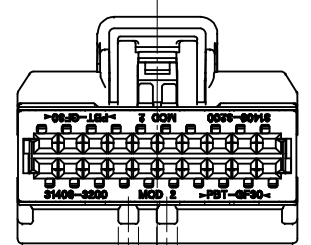
POLARIZATION 'B'

(4.06)
(1.95)

(4.06)



POLARIZATION 'C'



POLARIZATION 'D'

(2.11)
(2.05)
(2.96)
(0.97)

(2.11)
(2.05)
(2.96)
(0.97)

POLARIZATION OPTIONS
(20-CIRCUIT SHOWN)

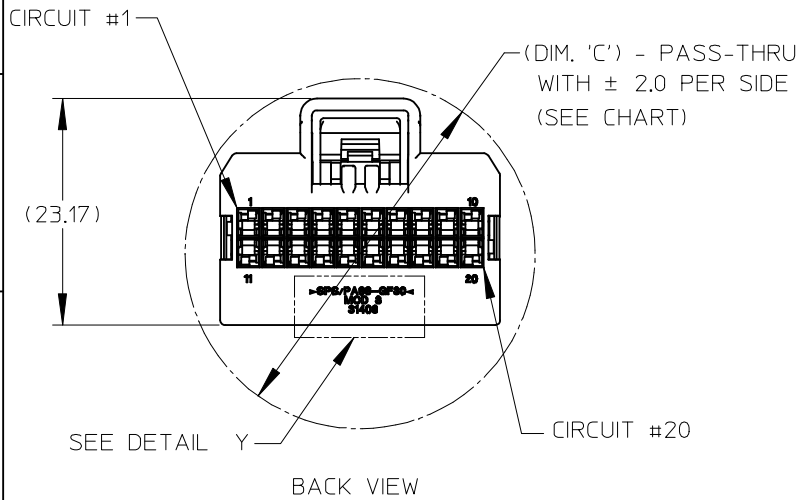
EC NO: UAU2008-0100 DRWN:BDICK01 2008/08/22 CHKD: 2008/08/28 APPR: SWARCEAU2008/08/28	QUALITY SYMBOLS ▽ - 0 ▽ - 0	GENERAL TOLERANCES (UNLESS SPECIFIED)		SCALE 2:1	DESIGN UNITS METRIC	THIRD ANGLE PROJECTION	REVISE ON CAD ONLY		
		4 PLACES ± --- ± --- 3 PLACES ± --- ± --- 2 PLACES ± 0.13 ± --- 1 PLACE ± 0.25 ± ---	mm INCH DIMENSION STYLE MM ONLY	DRAWN BY SKAROLEW	DATE 2004/02/17	TITLE USCAR 0.64MM RECEPTACLE ASSY, GET TERMINAL SALES DRAWING			
		ANGULAR ± 3 °		CHECKED BY MDANIELS	DATE 2004/03/31	MOLEX INCORPORATED			
		DRAFT WHERE APPLICABLE MUST REMAIN WITHIN DIMENSIONS		APPROVED BY BBWILSON	DATE 2004/04/06	MATERIAL NO. SEE CHART	DOCUMENT NO. SD-31408-900	SHEET NO. 2 OF 3	

MOLEX ASSY. P/N	CIRCUITS	DIM. 'A'	(DIM. 'B')	(DIM. 'C')	POLARIZATION	HOUSING COLOR
31408-1080	8	13.40	(7.62)	(29.7)	A	BLACK
31408-1081					B	GRAY
31408-1082					C	BROWN
31408-1120	12	18.48	(12.70)	(31.3)	A	BLACK
31408-1121					B	GRAY
31408-1122					C	BROWN
31408-1160	16	23.56	(17.78)	(33.5)	A	BLACK
31408-1161					B	GRAY
31408-1162					C	BROWN
31408-1200	20	28.64	(22.86)	(36.3)	A	BLACK
31408-1201					B	GRAY
31408-1202					C	BROWN
31408-1203					D	GREEN



RECYCLE CODE
P/N SERIES NO.
MANU. LOC./CAV. ID

DETAIL Y
SCALE 4:1



EC NO: UAU2008-0100 IDRN:BDICK01 2008/08/22 CHKD: 2008/08/28 APPR: SMARCEA2008/08/28	QUALITY SYMBOLS ▽ - 0 ▽ - 0	GENERAL TOLERANCES (UNLESS SPECIFIED) mm INCH 4 PLACES ± --- ± --- 3 PLACES ± --- ± --- 2 PLACES ± 0.13 ± --- 1 PLACE ± 0.25 ± --- ANGULAR ± 3°	SCALE 2:1 DESIGN UNITS METRIC DIMENSION STYLE MM ONLY	THIRD ANGLE PROJECTION REVISE ON CAD ONLY
	DESCRIPTION	DRAFT WHERE APPLICABLE MUST REMAIN WITHIN DIMENSIONS	DRAWN BY SKAROLEW DATE 2004/02/17 CHECKED BY MDANIELS DATE 2004/03/31 APPROVED BY BBWILSON DATE 2004/04/06	TITLE USCAR 0.64MM RECEPTACLE ASSY, GET TERMINAL SALES DRAWING MOLEX INCORPORATED MATERIAL NO. SEE CHART DOCUMENT NO. SD-31408-900 SHEET NO. 3 OF 3