

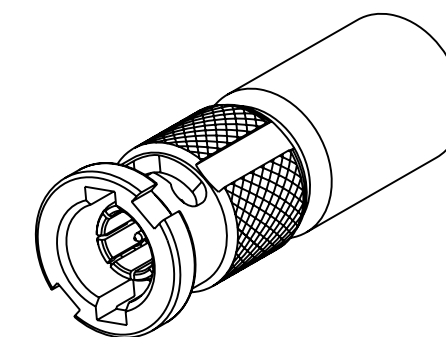
NOTES:

1. MATERIALS AND FINISHES:
 BODY - BRASS, GOLD PLATING
 OUTER BODY - BeCu, GOLD PLATING
 BAYONET SLEEVE - BRASS, NICKEL PLATING
 CONTACT - BeCu, GOLD PLATING
 INSULATOR - PTFE
2. ELECTRICAL:
 A. IMPEDANCE: 75 OHM
 B. FREQUENCY RANGE: DC - 3 GHz
 C. RETURN LOSS : -30 dB MIN AT 3 GHz
3. MECHANICAL:
 A. DURABILITY: 500 CYCLES MIN.
 B. TEMPERATURE RANGE: -65° C TO +165° C
4. HIGH DENSITY INSTALLATION/REMOVAL TOOL: 227-T2000-1694A.
5. PACKAGING:
 A. QUANTITY: SINGLE PACK
 B. MARKING: BAG TO BE MARKED
 "AMPHENOLRF, APH-HDBNCP-T, AND DATE CODE"

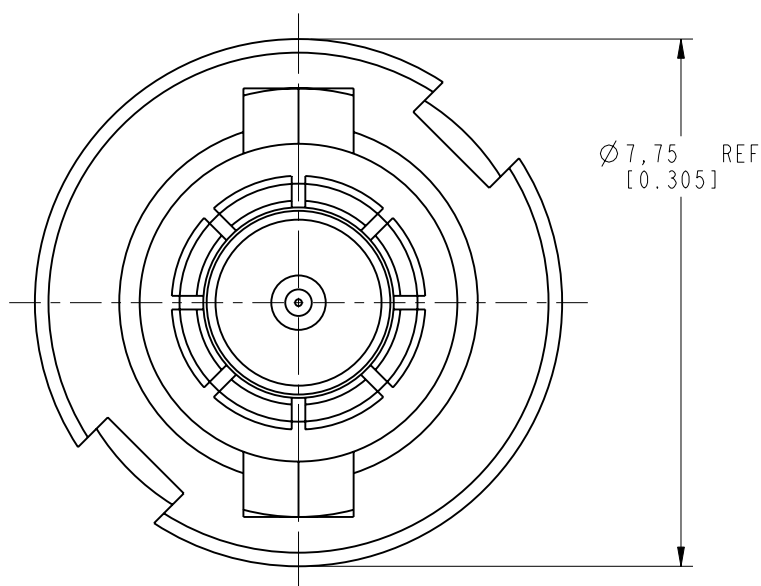
THIRD ANGLE PROJ.

REVISIONS

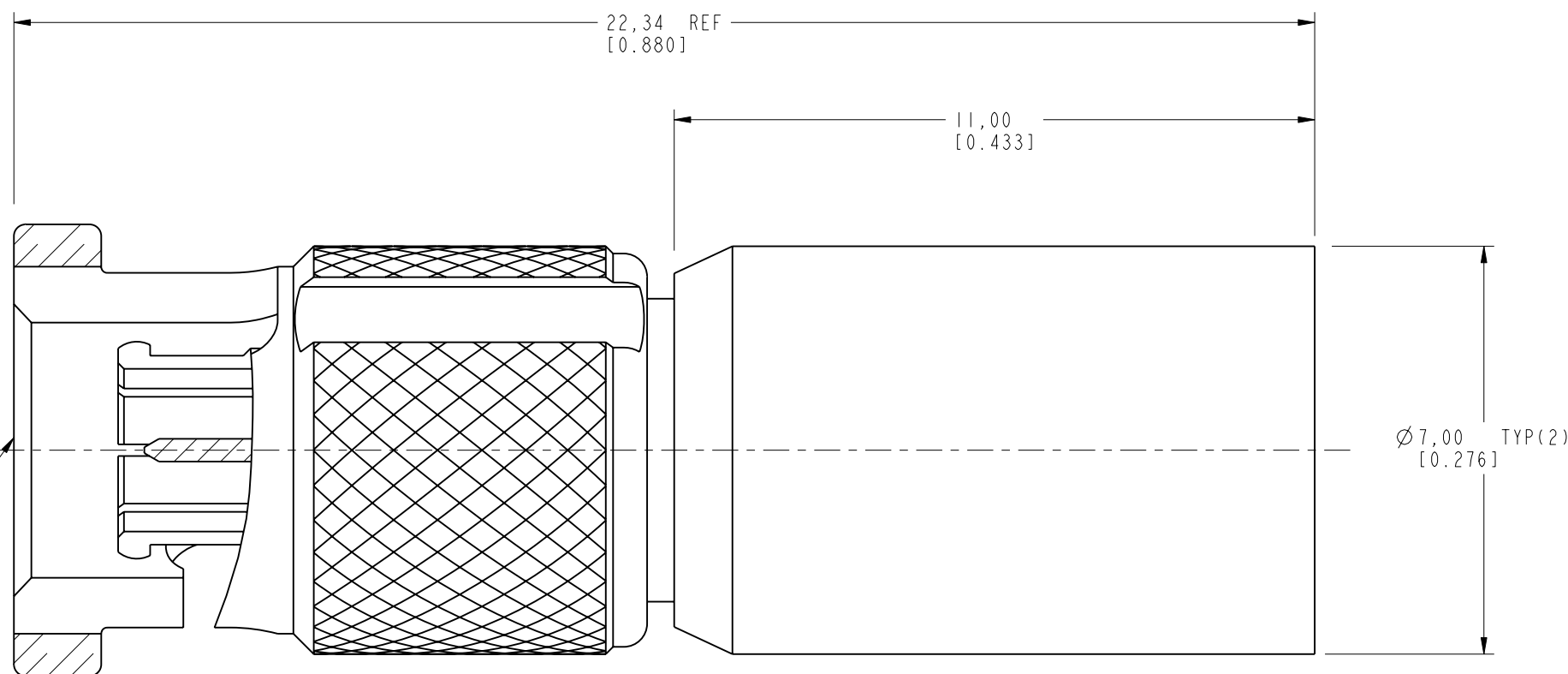
| REV | DESCRIPTION | DATE | ECO | APPR |
|-----|------------------|-----------|-------|------|
| A | RELEASED TO MFG. | 14-Oct-10 | 48098 | NMV |



SCALE 3.000



INTERFACE PER
349-50820
SERIES: HD-BNC PLUG



CUSTOMER OUTLINE DRAWING

ALL OTHER SHEETS ARE FOR INTERNAL USE ONLY

| | | | | | |
|--|-------------------------------------|---|-------------------|--------------------------------------|--|
| UNLESS OTHERWISE SPECIFIED, DIMENSIONS ARE IN METRIC AND TOLERANCES ARE: <0.5mm ±0.05mm 0.5 - 6mm ±0.1mm 6 - 30mm ±0.2mm 30 - 120mm ±0.3mm ANGLES ±1° | MATERIAL SEE NOTES | DRAWN S.LI | DATE 14-Oct-10 | TITLE HD-BNC, PLUG TERMINATION | Amphenol RF Danbury CT USA, Tainan, Taiwan, Shenzhen, China www.amphenolrf.com |
| | | ENGINEER NISCHIT MV | DATE 11-Mar-10 | | |
| NOTICE - These drawings, specifications, or other data (1) are, and remain the property of Amphenol corp. (2) must be returned upon request; and (3) are confidential and not to be disclosed to any person other than those to whom they are given by Amphenol Corp. the finishing of these drawings, specifications, or other data by Amphenol Corp., or to any other person to anyone for any purpose is not to be regarded by implication or otherwise in any manner licensing, granting rights to permitting such holder or any other person to manufacture, use or sell any product, process or design, patented or otherwise, that may in any way be related to or disclosed by said drawings, specifications, or other data. | REFERENCE EAR # 3969 | APPROVED S.HSIEH | DATE 15-Oct-10 | SCALE: 9.0:1.0 SHEET 2 OF 2 | DRAWING NO. APH-HDBNCP-T |
| | CONFIGURATION LEVEL: =%%Z0HXIBIGC%= | CAD FILE Root Folder/HD-BNC/APH-HDBNCP-T | DWG SIZE B | REV A | ITEM NO. APH-HDBNCP-T |
| | FINISH | Root Folder/HD-BNC/APH-HDBNCP-T | DWG SIZE B | REV A | PART NO. APH-HDBNCP-T |