

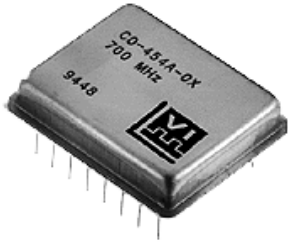


Helping Customers Innovate, Improve & Grow

Search

[XOs](#) > CO-434

## CO-434 ECL/PECL Clock Oscillators



### Features:

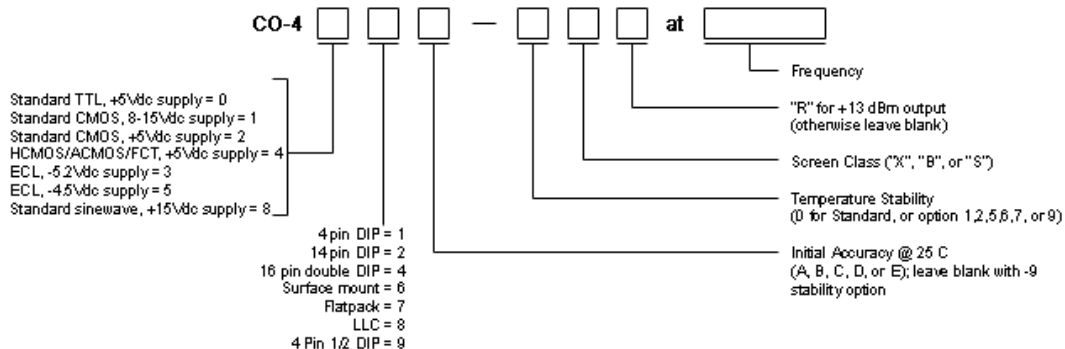
- Frequencies from 200.1 MHz to 700 MHz
- Low Profile 16 Pin Double DIP
- 10K, 10KH, 100K, ECLinPS, 10E/EL and 100E/EL Logic

SPECIFICATIONS		
Part	CO-434	CO-454
Series	16 Pin Double DIP	
Frequency	200.1 MHz-700 MHz	
Output	Output taken directly from 10K, 10KH, ECLinPS or ECLinPS Lite gate, depending on temperature and frequency range. Complementary outputs standard.	Output taken directly from 100K, ECLinPS or ECLinPS Lite gate, depending on temperature and frequency range. Complementary outputs standard.
Supply	-5.2 Vdc ± 5% < 45 mA to 110 MHz < 70 mA above 110 MHz	-4.5 Vdc±5% at < 60 mA
Accuracy (at 25°C)	CO-434D: ±15 ppm	CO-454D: ±15 ppm
Temperature Stability	<p><b>STANDARD:</b> 0°C to +70°C: ±25 ppm</p> <p>Option 1: -55°C to +85°C: ±50 ppm</p> <p>Option 2: -55°C to +125°C: ±50 ppm</p> <p>Option 5: 0°C to +50°C: ±5 ppm</p> <p>Option 6: 0°C to +50°C: ±10 ppm</p> <p>*Option 7: -55°C to +125°C: ±100 ppm</p> <p>*-1,-2,-7 restricted to -30/+85°C above 110 MHz in CO-233ME</p>	
Aging Rate (typical after 30 days)	3 ppm first year 2 ppm/year thereafter	3 ppm first year <2 ppm/year thereafter

[top of page](#)

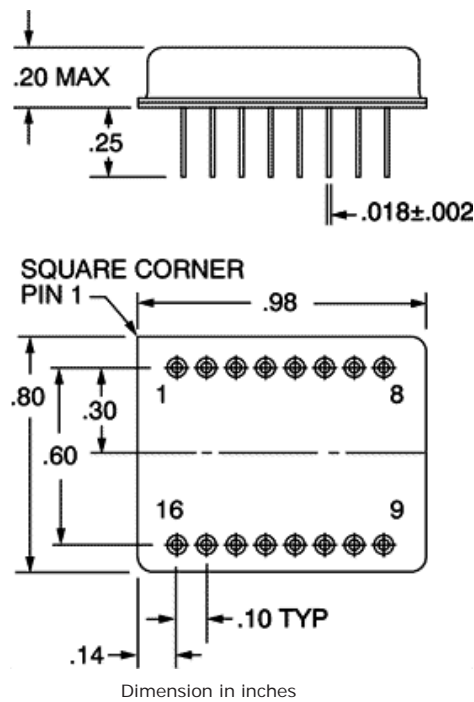
### How to Order Hybrid XO's - CO-400 Series

(Note: Not all combinations possible. See above for appropriate options.)



SCREEN TESTING OF ABOVE MODELS					
SCREEN TEST	MIL-STD-883 METHOD	Options			
		Standard CLASS X	CLASS D	CLASS B	CLASS S
Stabilization Bake (150°C)	—	X	X	X	Class S screen test requirements include 24 hour additional bake-out, 80 hour additional burn-in, thermal shock, PIND test and radiographic inspection in addition to Class B Screening. Has major cost impact.
Seal Test (Gross and Fine)	1014, Cond A2	X	X	X	
Temperature Cycling (Thermal Shock)	1010, Cond B		X	X	
Burn-in, operating 160 hours @125°C	—		X	X	
Acceleration (5000g in Y <sub>1</sub> axis)	2001, Cond A			X	

[top of page](#)



**Pinouts**

Pin	Function
8	Supply (-)
9	Output (Q)
10	Output (Q̄)
11	rf return, case
16	OV, case

\* Unlisted pins may be used internally

#For external tuning, "E" accuracy, connect variable capacitor with nominal range of 5-30 pF from pin 2 to pin 3.

[top of page](#)