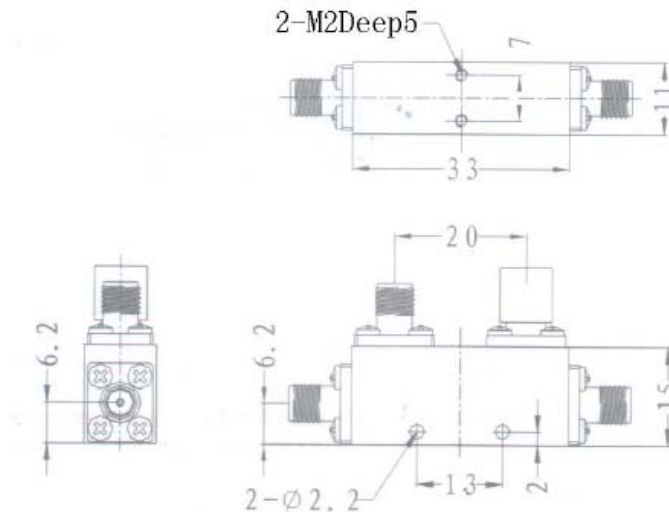


## Directional Coupler

P/N: JXWBOH-A1204-15A2

Frequency Range(GHz)	6~18
Coupling(dB)	15±1
VSWR	1.5 max
Directivity(dB)	12
Coupling Flatness(dB)	±1
Insertion Loss(dB)	0.6
Power Handling(W)	50
Operating Temperature(°C)	-55~+85
Storage Temperature(°C)	-55~+100
Connectors	SMA-Female
Net Weight(Kg)	0.03 Around

### Outline Drawing (Size: mm)



For current data sheets, please contact: [sales@aacix.com](mailto:sales@aacix.com)