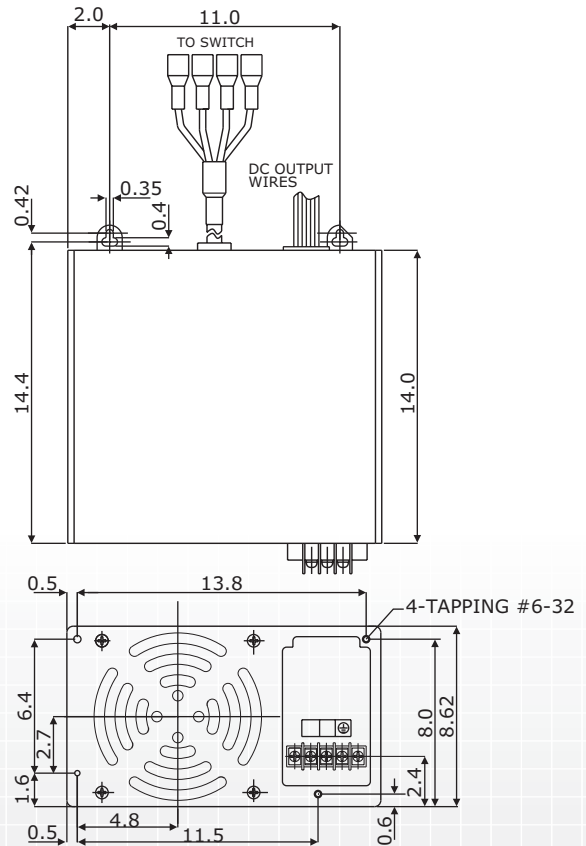


# MPD-425V

250W DC-DC Power Supply  
Input Range: 40~57VDC

Industrial Power Supply

DC-DC



## FEATURES

- \***Input Voltage:** 40~57VDC
- \***Input Current:** Max. 8A at 48VDC
- \***Inrush Current:** Does not exceed 10A at 48VDC input, cold start at 25°C
- \***Ripple and Noise:** < +/-1% peak to peak ripple and noise for each output
- \***Line Regulation:** < +/-1% at rated load with +/-10% change in input voltage
- \***Load Regulation:** +/-4% for +5V, +/-5% for +12V, +/-3% for -12V and -5V
- \***Power Good Signal:** Goes high 100~500ms after all DC output are ready
- \***Power Failure:** Goes low 1ms before any DC output falls
- \***Efficiency:** 70% typical at nominal line and rated load
- \***Altitude:** 10,000 feet
- \***Protection:**  
 Input: Protection against wrong polarity if 48VDC input is inversely connected by mistake  
 Output: Built-in over voltage protection. Trip point of crowbar circuit is between 5.9~7.0V. Hiccup mode against short circuit or over load conditions auto recovery when faulty conditions are removed
- \***Temperature:** 0~+50°C (operating); -40~+75°C (storage)
- \***Humidity:** 5~95%; non-condensing at 40°C (operating)
- \***Connectors:**  
 Input: Three positions terminal block  
 DC Output: Output provides one AT type P8/P9 and two disk drive connector  
 To Switch: Female disconnects for tab size 0.250" x 0.032"
- \***Dimensions:** 14.0 x 15.0 x 8.62 cm with +/-0.8mm and +/-0.4mm tolerance between mounting holes
- \***MTBF:** 178,042 hrs.

## SAFETY STANDARDS

- \***Safety:** UL 1950 / CSA 22.2 No.234 / VDE EN60950
- \***EMI:** FCC class B / EN55022B
- \***EMS:** Level 3 of IEC-801, 802

PIN	Output	PIN	Input
Red	+5V	1	48VDC
Yellow	+12V	2	0V
Brown	-12V	3	GND
Blue	-5V		
Black	GND		
White	P.G.		

Output Voltage	Min. Load	Rated Load	Max. Load	Tolerance
+5V	1A	25A	30A	+/-0.1V
+12V	0A	10A	12A	+/-0.72V
-12V	0A	1A	2A	+/-0.6V
-5V	0A	1A	2A	+/-0.25V