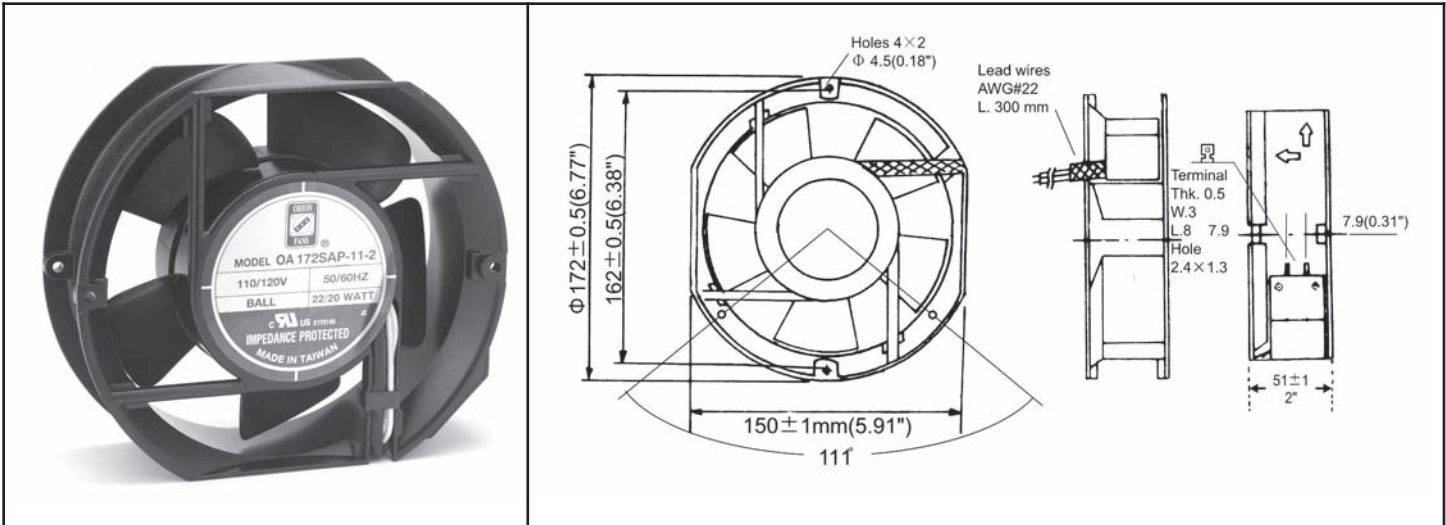


# OA172S Series \*



172 x 150 x 51mm  
(6.7"x 5.9" x 2.0")



Frame	Diecast Aluminum	<b>Operating Temperature</b> Ball Bearing -40C ~ +70C  <b>Life Expectancy</b> Ball Bearing 60,000 hours (L10 at 40C)	
Impeller	PBT, UL94V-O plastic		
Connection	2x Lead Wires or Terminals		
Motor	Capacitor drive, impedance protected		
Bearing System	Dual ball		
Insulation Resistance	>100M ohm between lead-wire and frame (500VDC)		
Dielectric Strength	1 min at 1500 VAC, 50/60Hz		

Model Number	Speed (RPM)	Airflow (CFM)	Noise (dB)	Volts AC	Voltage Range	Watts	Max. Static Pressure (\"H2O)
OA172SAP-11-1( )B	3200	235	52	115	80~130	35	0.70
OA172SAP-11-2( )B	2400	170	42	115	80~130	20	0.49
OA172SAP-11-3( )B	1800	135	33	115	80~130	16	0.43
OA172SAP-22-1( )B	3200	235	52	230	160~260	35	0.70
OA172SAP-22-2( )B	2400	170	42	230	160~260	20	0.49
OA172SAP-22-3( )B	1800	135	33	230	160~260	16	0.43

( ) Indicate "T" for Terminal or "W" for Wire Leads



\* Use prefix OA172AP instead of OA172SAP to specify round frame instead of the flat-sided, "stackable" version.