

■ Features :

- 4"×2" miniature size
- Universal AC input/Full range
- Low leakage current<200uA
- Protections: Short circuit / Over load / Over voltage
- Cooling by free air convection
- ANSI/AAMI ES60601-1/IEC60601-1/EN60601-1 medical safety approved
- UL60950-1/IEC60950-1/EN60950-1 ITE safety approved
- Fixed switch frequency at 100KHz
- 3 years warranty

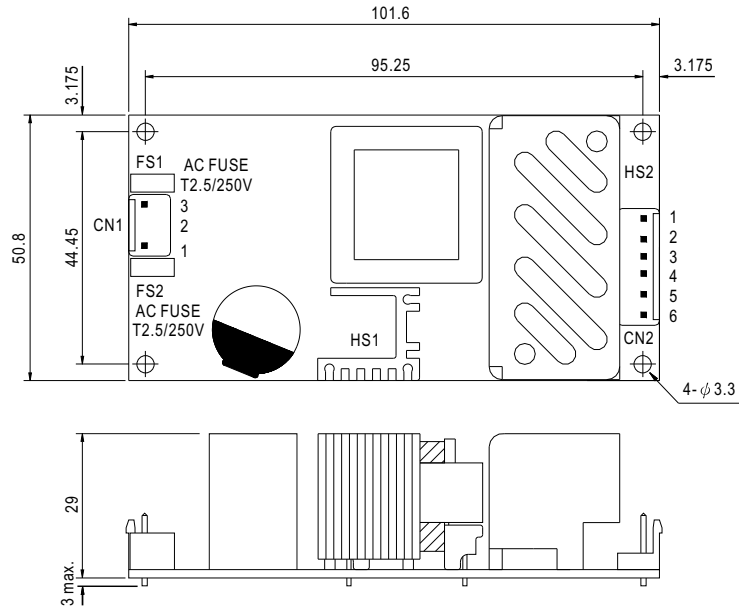


SPECIFICATION

| MODEL | RPD-60A | | RPD-60B | | |
|-----------------------|---|---|------------|-------------|-------------|
| OUTPUT | OUTPUT NUMBER | CH1 | CH2 | CH1 | CH2 |
| | DC VOLTAGE | 5V | 12V | 5V | 24V |
| | RATED CURRENT | 5A | 2A | 3.5A | 1.5A |
| | CURRENT RANGE | 0.5 ~ 5.5A | 0.1 ~ 2.2A | 0.5 ~ 3.85A | 0.1 ~ 1.65A |
| | RATED POWER | 49W | | 53.5W | |
| | PEAK LOAD(10sec.) Note.4 | 53.9W | | 58.85W | |
| | RIPPLE & NOISE (max.) Note.2 | 80mVp-p | 80mVp-p | 80mVp-p | 100mVp-p |
| | VOLTAGE TOLERANCE Note.3 | +3,-2% | ±6.0% | +3,-2% | +8,-4% |
| | LINE REGULATION | ±0.5% | ±1.0% | ±0.5% | ±1.0% |
| | LOAD REGULATION | ±1.5% | ±2.0% | ±1.5% | ±2.0% |
| | SETUP, RISE TIME | 200ms, 15ms/230VAC 200ms, 15ms/115VAC at full load | | | |
| HOLD UP TIME (Typ.) | 70ms/230VAC 14ms/115VAC at full load | | | | |
| INPUT | VOLTAGE RANGE | 90 ~ 264VAC 127 ~ 370VDC | | | |
| | FREQUENCY RANGE | 47 ~ 63Hz | | | |
| | EFFICIENCY (Typ.) | 78% | | 82% | |
| | AC CURRENT (Typ.) | 1.1A/115VAC 0.7 A/230VAC | | | |
| | INRUSH CURRENT (Typ.) | COLD START 60A/230VAC 30A/115VAC | | | |
| LEAKAGE CURRENT | For earth <200uA/264VAC, For patient <100uA/264VAC | | | | |
| PROTECTION | OVERLOAD | 115 ~ 150% rated output power Protection type : Hiccup mode, recovers automatically after fault condition is removed | | | |
| | OVER VOLTAGE | CH1: 5.75 ~ 6.75V Protection type : Shut down o/p voltage, re-power on to recover | | | |
| ENVIRONMENT | WORKING TEMP. | -20 ~ +65°C (Refer to "Derating Curve") | | | |
| | WORKING HUMIDITY | 20 ~ 90% RH non-condensing | | | |
| | STORAGE TEMP., HUMIDITY | -40 ~ +85°C, 10 ~ 95% RH | | | |
| | TEMP. COEFFICIENT | ±0.03%/°C (0 ~ 45°C) | | | |
| | VIBRATION | 10 ~ 500Hz, 2G 10min./1cycle, period for 60min. each along X, Y, Z axes | | | |
| SAFETY & EMC (Note 5) | SAFETY STANDARDS | UL60950-1, TUV EN60950-1, ANSI/AAMI ES60601-1, TUV EN60601-1, IEC60601-1 approved | | | |
| | WITHSTAND VOLTAGE | I/P-O/P:4KVAC I/P-FG:1.5KVAC O/P-FG:1.5KVAC | | | |
| | ISOLATION RESISTANCE | I/P-O/P, I/P-FG, O/P-FG:100M Ohms / 500VDC / 25°C / 70% RH | | | |
| | EMC EMISSION | Compliance to EN55011(CISPR11),EN55022 (CISPR22) Class B, EN61000-3-2,-3 | | | |
| | EMC IMMUNITY | Compliance to EN61000-4-2,3,4,5,6,8,11, EN55024, EN60601-1-2, EN61204-3, medical level, criteria A | | | |
| OTHERS | MTBF | 677.8Khrs min. MIL-HDBK-217F (25°C) | | | |
| | DIMENSION | 101.6*50.8*29mm (L*W*H) | | | |
| | PACKING | 0.15Kg; 96pcs/15.4Kg/0.89CUFT | | | |
| NOTE | <p>1. All parameters NOT specially mentioned are measured at 230VAC input, rated load and 25°C of ambient temperature.</p> <p>2. Ripple & noise are measured at 20MHz of bandwidth by using a 12" twisted pair-wire terminated with a 0.1uF & 47uF parallel capacitor.</p> <p>3. Tolerance : includes set up tolerance, line regulation and load regulation.</p> <p>4. 33% Duty cycle maximum within every 30 seconds. Average output power should not exceed the rated power.</p> <p>5. The power supply is considered a component which will be installed into a final equipment. The final equipment must be re-confirmed that it still meets EMC directives. For guidance on how to perform these EMC tests, please refer to "EMI testing of component power supplies." (as available on http://www.meanwell.com)</p> <p>6. Length of set up time is measured at cold first start. Turning ON/OFF the power supply may lead to increase of the set up time.</p> <p>7. Heat Sink HS1,HS2 can not be shorted.</p> | | | | |

Mechanical Specification

Unit:mm



AC Input Connector (CN1) : JST B3P-VH or equivalent

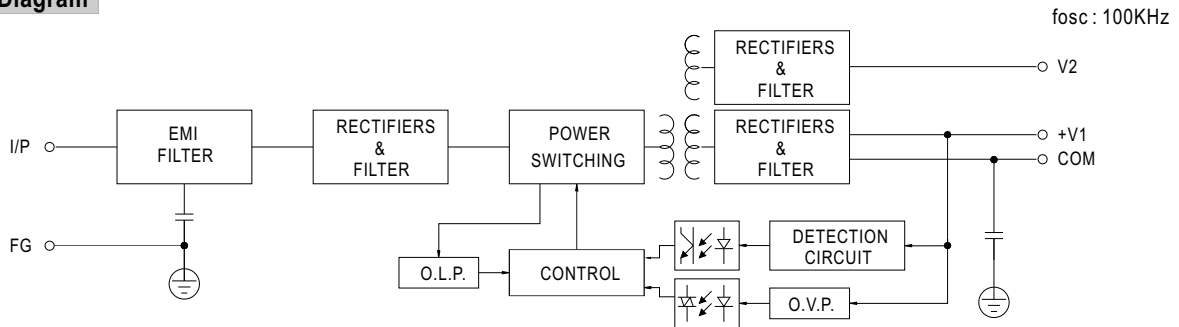
| Pin No. | Assignment | Mating Housing | Terminal |
|---------|------------|-----------------------|--------------------------------|
| 1 | AC/N | JST VHR or equivalent | JST SVH-21T-P1.1 or equivalent |
| 2 | No Pin | | |
| 3 | AC/L | | |

DC Output Connector (CN2) : JST B6P-VH or equivalent

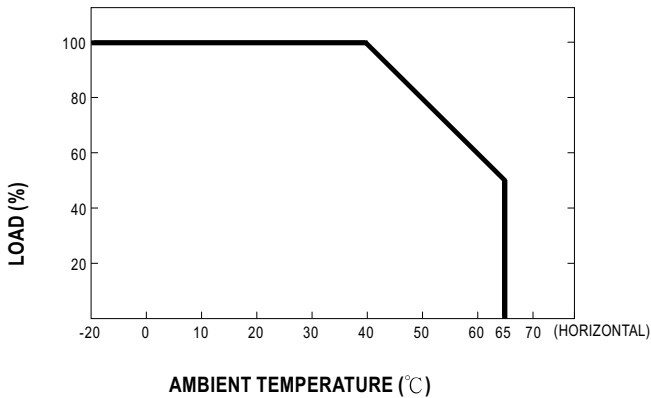
| Pin No. | Assignment | Mating Housing | Terminal |
|---------|------------|-----------------------|--------------------------------|
| 1,2 | V1 | JST VHR or equivalent | JST SVH-21T-P1.1 or equivalent |
| 3,4 | COM | | |
| 5 | V2 | | |
| 6 | NC | | |

⚠ HS1,HS2 can not be shorted

Block Diagram



Derating Curve



Output Derating VS Input Voltage

