

PLEASE CHECK WWW.MOLEX.COM FOR LATEST PART INFORMATION

Part Number: [0391001310](#)
Status: **Active**
Description: 12.00mm (.472") Pitch Beau™ Eurostyle™ Two-Screw Terminal Strips, 10 Circuits, Low Profile

Documents:

[3D Model](#) [RoHS Certificate of Compliance \(PDF\)](#)
[Drawing \(PDF\)](#)

Agency Certification

CSA 25562
 UL E82573

General

Product Family Terminal Blocks
 Series [39100](#)
 Application Wire-to-Wire
 Component Type One Piece
 Product Literature Order No USA-303
 Product Name Eurostyle™ Two Screw
 Type Euro Block

Physical

Circuits (Loaded) 10
 Entry Angle Horizontal
 Flammability 94V-2
 Lock to Mating Part None
 Number of Rows 2
 Orientation Vertical
 PCB Retention Yes
 Panel Mount Mounting Holes Between Circuit
 Pitch - Mating Interface (in) 0.472 In
 Pitch - Mating Interface (mm) 12.00 mm
 Pitch - Term. Interface (in) 0.315 In
 Pitch - Term. Interface (mm) 8.00 mm
 Polarized to Mating Part No
 Stackable No
 Temperature Range - Operating 100°C
 Wire Size AWG 10, 12, 14, 16, 18, 20, 8

Electrical

Current - Maximum per Contact 40A
 Voltage - Maximum 300V

Material Info

Reference - Drawing Numbers

Sales Drawing SD-39100-005

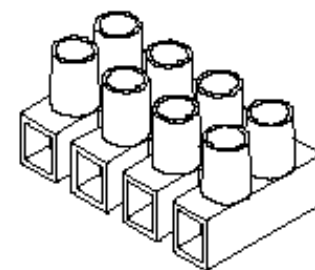


image - Reference only *Series*

EU RoHS

ELV and RoHS Compliant
REACH SVHC
 Not Reviewed
Halogen-Free Status
Not Reviewed

China RoHS

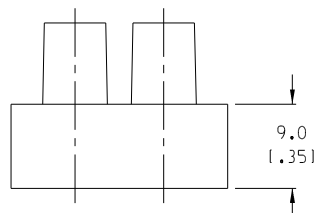
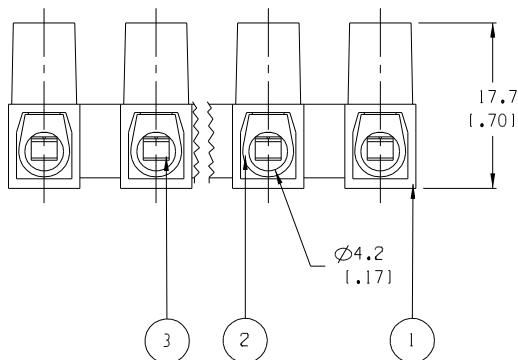
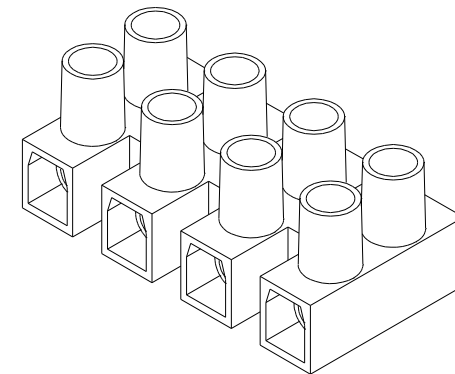
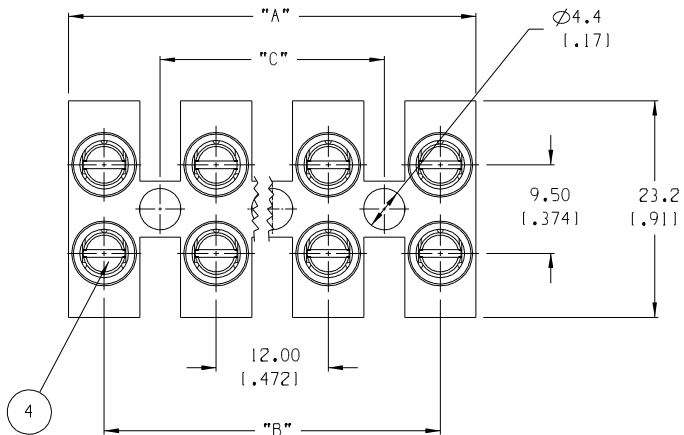


Need more information on product environmental compliance?

Email productcompliance@molex.com
 For a multiple part number RoHS Certificate of Compliance, [click here](#)

Please visit the [Contact Us](#) section for any non-product compliance questions.

Search Parts in this Series
[39100Series](#)



| NUMBER OF CIRCUITS | "A" DIM. | "B" DIM. | "C" DIM. | MATERIAL NUMBER |
|--------------------|-----------------|-----------------|-----------------|-----------------|
| 01 | 8.00 (.3151) | N/A | N/A | 391001301 |
| 02 | 20.00 (.7871) | 12.00 (.4721) | N/A | 391001302 |
| 03 | 32.00 (1.2601) | 24.00 (.9441) | 12.00 (.4721) | 391001303 |
| 04 | 44.00 (1.7321) | 36.00 (1.4161) | 24.00 (.9451) | 391001304 |
| 05 | 56.00 (2.2051) | 48.00 (1.8881) | 36.00 (1.4171) | 391001305 |
| 06 | 68.00 (2.6771) | 60.00 (2.3591) | 48.00 (1.8901) | 391001306 |
| 07 | 80.00 (3.1501) | 72.00 (2.8311) | 60.00 (2.3621) | 391001307 |
| 08 | 92.00 (3.6221) | 84.00 (3.3031) | 72.00 (2.8351) | 391001308 |
| 09 | 104.00 (4.0941) | 96.00 (3.7751) | 84.00 (3.3071) | 391001309 |
| 10 | 116.00 (4.5671) | 108.00 (4.2471) | 96.00 (3.7801) | 391001310 |
| 11 | 128.00 (5.0391) | 120.00 (4.7191) | 108.00 (4.2521) | 391001311 |
| 12 | 140.00 (5.5121) | 132.00 (5.1911) | 120.00 (4.7241) | 391001312 |

NOTES:

1. MATERIAL: SEE TABLE
2. FINISHES: SEE TABLE
3. PRODUCT SPECIFICATION: NOT REQUIRED
4. PACKAGING: NOT REQUIRED
5. MATES WITH: NONE
6. "XX" REFERS TO THE NUMBER OF CIRCUITS

| ITEM | QTY. | DESCRIPTION | MATERIAL | FINISH |
|------|------|-----------------------|----------|--------|
| 4 | XX*2 | CLAMPING SCREWS, M3.5 | STEEL | ZINC |
| 3 | XX | WIRE PROTECTOR | BRASS | NICKEL |
| 2 | XX | TERMINAL | BRASS | NICKEL |
| 1 | 1 | INSULATOR | NYLON 6 | CLEAR |

| | | | | | | |
|--|--|---|---|---|--|---------------------|
| EC NO. RELEASED DRWN: JF 09-16-04 CH'K: APPR: | QUALITY SYMBOLS MAJOR : CRITICAL : SPC : | GENERAL TOLERANCES: (UNLESS SPECIFIED) mm INCH 4 PLACES ±.0015 3 PLACES ±.038 ±.005 2 PLACES ±.13 ±.01 1 PLACE ±.3 | SCALE 2:1 DESIGN UNITS <input type="checkbox"/> mm <input checked="" type="checkbox"/> INCH THIRD ANGLE PROJECTION | DRAWN BY & DATE J.FARMER 09-16-04 CHECKED BY & DATE APPROVED BY & DATE | PROJECT NO. - - - DIMENSIONS: <input checked="" type="checkbox"/> mm <input type="checkbox"/> INCH <input type="checkbox"/> mm ONLY SHT REV CAD ONLY | |
| | TITLE: 12MM LOW PROFILE WITH WIRE PROTECTORS | | | MOLEX INCORPORATED | | |
| | ANGLAR: ±2° DRAFT WHERE APPLICABLE MUST REMAIN WITHIN DIMENSIONS | | CAD FILENAME 39100-13XX | MATERIAL NO. SEE CHART | DRAWING NO. SD-39100-005 | SHEET NO. 1 OF 1 |
| | THIS DRAWING CONTAINS INFORMATION THAT IS PROPRIETARY TO MOLEX INCORPORATED AND SHOULD NOT BE USED WITHOUT WRITTEN PERMISSION. | | | | | SIZE B |