

PLEASE CHECK WWW.MOLEX.COM FOR LATEST PART INFORMATION

Part Number: [0887505418](#)
Status: **Active**
Overview: [serial ata products](#)
Description: 1.27mm (.050") Pitch Serial ATA Straight-to-Straight Signal Cable Assembly, 1.0m (3.28') Length, Red, Leadfree

Documents:

[Drawing \(PDF\)](#) [RoHS Certificate of Compliance \(PDF\)](#)

General

Product Family	Cable Assemblies
Series	88755
Comments	Generation 2 (300 MB/s)
Connector to Connector	Serial ATA-to-Serial ATA
Overview	serial ata products
Product Name	Serial ATA

Physical

Cable Length	1.0m (3.28')
Circuits (Loaded)	7
Color - Resin	Black, Natural
Gender	Female-Female
Lock to Mating Part	Yes
Material - Metal	Phosphor Bronze
Material - Resin	Low Density Polyethylene, Polyester
Packaging Type	Bag
Pitch - Mating Interface (in)	0.050 In
Pitch - Mating Interface (mm)	1.27 mm
Single Ended	No
Termination Interface: Style	Surface Mount
Wire Insulation Diameter	N/A
Wire Size AWG	26
Wire/Cable Type	PVC

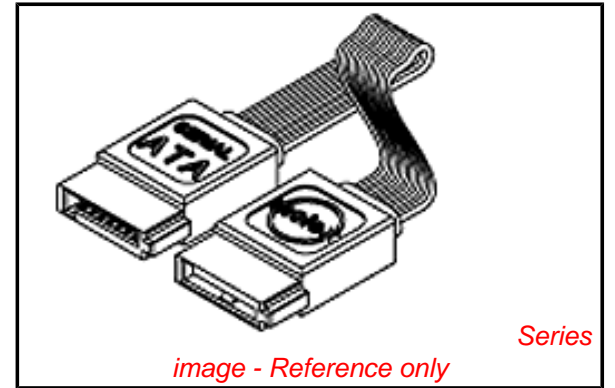
Electrical

Current - Maximum per Contact	1.5A
Impedance	100 ohms
Shield Type	AL Foil
Shielded	Yes
Voltage - Maximum	40V

Material Info

Reference - Drawing Numbers

Sales Drawing	SD-88750-5418
---------------	---------------



EU RoHS

**ELV and RoHS
Compliant**
REACH SVHC
 Not Reviewed
**Halogen-Free
Status**
Not Reviewed

China RoHS

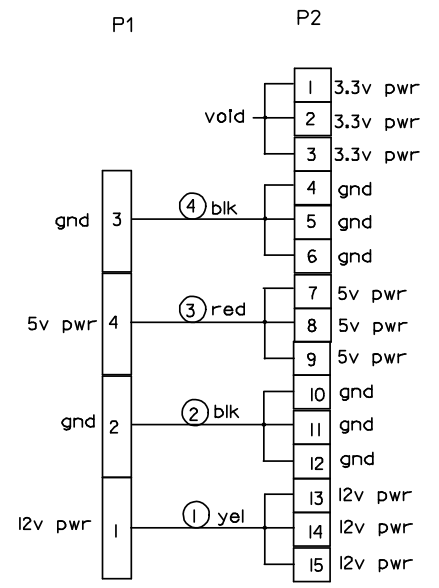
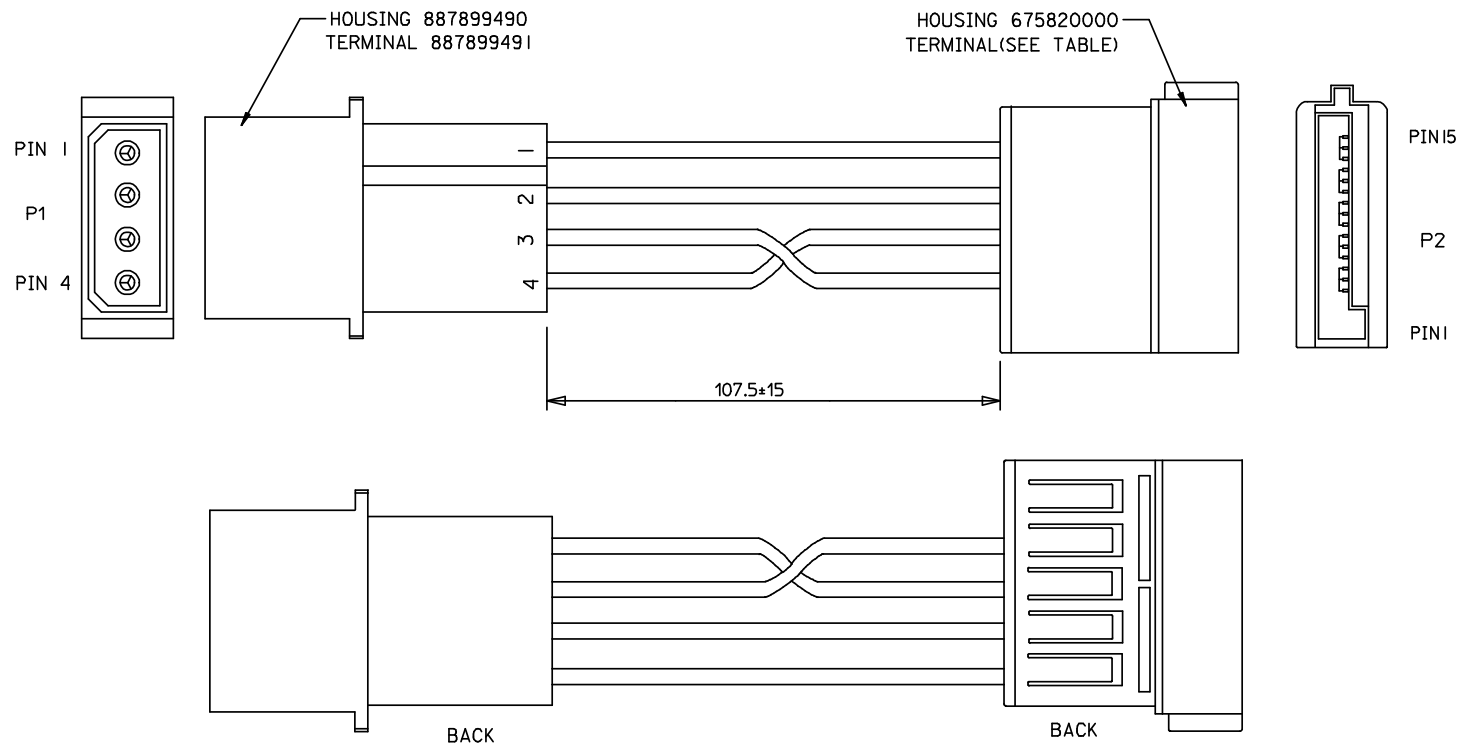


**Need more information on product
environmental compliance?**

Email productcompliance@molex.com
 For a multiple part number RoHS Certificate of Compliance, [click here](#)

Please visit the [Contact Us](#) section for any non-product compliance questions.

Search Parts in this Series
[88755Series](#)



NOTE: 1. ELECTRIC PERFORMANCE.
 DIELECTRIC STRENGTH: 500V DC/0.01Sec.
 INSULATION RESISTANCE: 100M OHMS Min.
 CONNECTION RESISTANCE: 2 OHMS Max.

2. HOUSING 687520000:
 POLYESTER(PBT), UL94V-0(BLACK)
 TERMINAL 675810000
 AU FLASH PLATING

887511311	675810001 30u" Gold-plated
887511310	675810000 GOLD FLASH
MATERIAL NO.	TERMINAL

4	UL1007 *18 BLK 887711300
3	UL1007 *18 RED 887711301
2	UL1007 *18 BLK 887711300
1	UL1007 *18 YEL 887711303
Item	WIRE TYPE

TABLE

CONNECTION DIAGRAM

EC NO: DG2008-0074 DRWN: ZWSHAO CHKD: APPR: BLAU	DESCRIPTION 2008/02/20 2008/02/20 2008/02/21	QUALITY SYMBOLS	GENERAL TOLERANCES (UNLESS SPECIFIED)		DIMENSION STYLE MM ONLY		SCALE ---	DESIGN UNITS METRIC	THIRD ANGLE PROJECTION	
		$\nabla=0$ $\sphericalangle=0$	mm	INCH	DRAWN BY ZWSHAO	DATE 2008/02/20	TITLE SATA POWER CABLE			
		4 PLACES ± --- ± ---	3 PLACES ± --- ± ---	2 PLACES ± --- ± ---	1 PLACE ± --- ± ---	CHECKED BY ARKAN				
		ANGULAR ± ---°	DRAFT WHERE APPLICABLE MUST REMAIN WITHIN DIMENSIONS		APPROVED BY BLAU	DATE 2008/02/20	MOLEX MOLEX INCORPORATED		DOCUMENT NO. SD-88755-001	SHEET NO. 1 OF 1

6

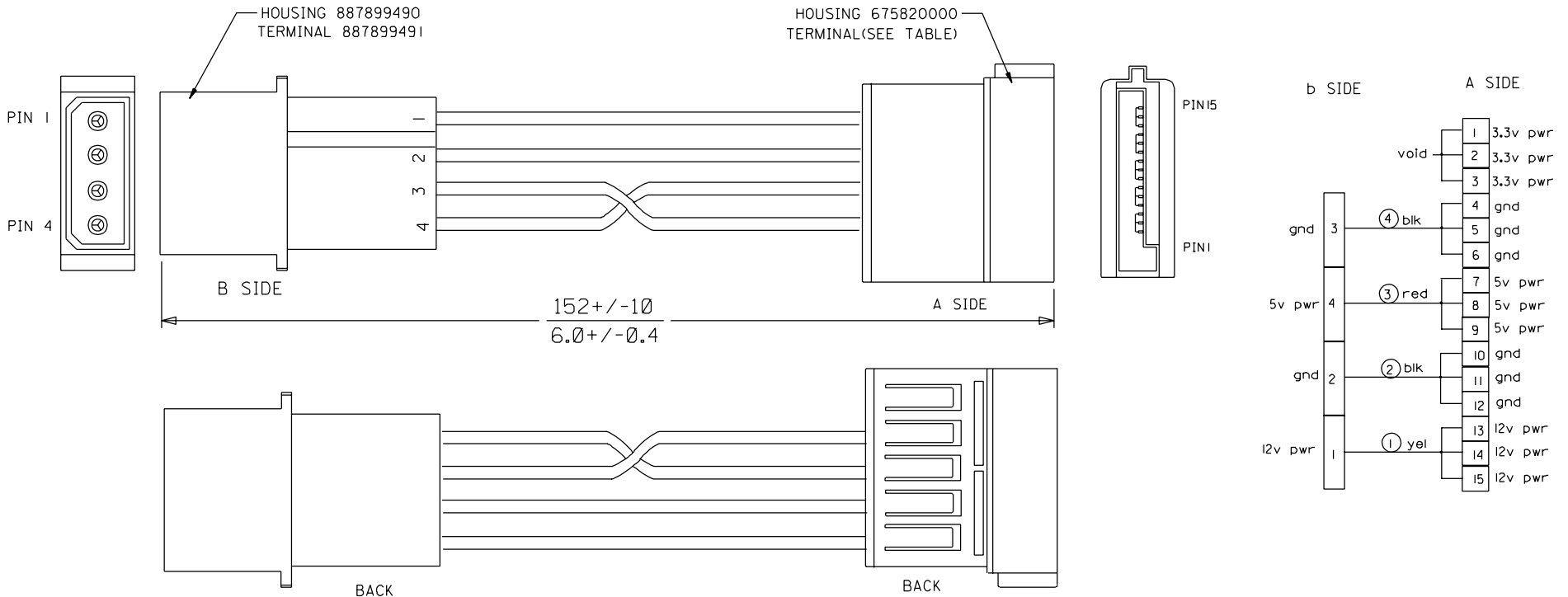
5

4

3

2

1



NOTE: 1. ELECTRIC PERFORMANCE:
 DIELECTRONIC STRENGTH: 500 V DC/0.01Sec.
 INSULATION RESISTANCE: 100M OHMS Min.
 CONDUCTIVE RESISTANCE: 2 OHMS Max.

2. HOUSING 675820000:
 POLYESTER(PBT), UL94V-0(BLACK)

887511311	675810001 30u" Gold-plated
887511310	675810000 GOLD FLASH
MATERIAL NO.	TERMINAL

TABLE

4	UL1007 #18 BLK 887711300
3	UL1007 #18 RED 887711301
2	UL1007 #18 BLK 887711300
1	UL1007 #18 YEL 887711303
Item	WIRE TYPE

CONNECTION DIAGRAM			
DIMENSIONS:	<input checked="" type="checkbox"/> mm	<input type="checkbox"/> INCH	<input type="checkbox"/> mm
	<input type="checkbox"/> INCH	<input type="checkbox"/> mm	<input type="checkbox"/> ONLY
SHT	REV	REVISE ON CAD ONLY	

EC NO. DRWN: Louis 04/03/23 CHK: APPR:	EC NO. DRWN: BENTZ 02/08/08 CHK: APPR:	DESCRIPTION REV	QUALITY SYMBOLS MAJOR ▼ = 0 CRITICAL ▽ = 0	GENERAL TOLERANCES: (UNLESS SPECIFIED)		SCALE	DESIGN UNITS <input checked="" type="checkbox"/> mm <input type="checkbox"/> INCH	THIRD ANGLE PROJECTION <input checked="" type="checkbox"/> <input type="checkbox"/>	TITLE: S-ATA POWER ADAPTER CABLE ASSEMBLY, 6 INCH (5V+12V)
				4 PLACES ±0.	±.	DRAWN BY & DATE BENTZ 02/08/08	APPROVED BY & DATE Tony Wong 02/08/08		
				3 PLACES ±0.	±.	CHECKED BY & DATE Tony Wong 02/08/08		MATERIAL NO. SEE TABLE	
				2 PLACES ±0.	±.	APPROVED BY & DATE Tony Wong 02/08/08			DRAWING NO. SD-88755-001
				1 PLACE ±0.	±.	CAD FILENAME S88755AA.S01		SHEET NO. 1 OF 1	
				ANGULAR: ± °		THIS DRAWING CONTAINS INFORMATION THAT IS PROPRIETARY TO MOLEX INCORPORATED AND SHOULD NOT BE USED WITHOUT WRITTEN PERMISSION.			
						SIZE A4			