

| | |
|------|---------------|
| No. | LCP-2110019B |
| Date | 16th Aug 2010 |

Technical Literature
For
TFT-LCD Module

Model No. LS013B7DH01

Notice

The technical Literature is subject to change without any prior notice for the purpose of product improvement. Please contact Sharp or its representative before designing your product based on this literature.

Liquid Crystal Display Group
SHARP CORPORATION

RECORDS OF REVISION

| DATE | REF.PAGE PARAGRAPH DRAWING No. | REVISED No. | SUMMARY |
|---------------|--------------------------------------|----------------|---|
| 1st July 2010 | | | First issue |
| 16th Aug 2010 | P7 Table3-1 | B | Weight was filled in. (Mass: 3.0g) |
| | P14 Table6-4 | | Power consumption of condition1 typ and condition2 typ were added. |
| | P19 6-5-5 COM Inversion | | EXTMODE="H" mode of ※1 : The description of LC inversion polarity was corrected. |
| | P23 8-1) Outline dimension | | The black mask shape and size was revised. |
| | | | |
| | | | |
| | | | |
| | | | |
| | | | |
| | | | |
| | | | |
| | | | |
| | | | |
| | | | |
| | | | |
| | | | |
| | | | |

NOTICE**<<Precautions>>**

- These specification sheets are the proprietary product of SHARP CORPORATION ("SHARP") and include materials protected under copyright of SHARP. Do not reproduce or cause any third party to reproduce them in any form or by any means, electronic or mechanical, for any purpose, in whole or in part, without the express written permission of SHARP.
- The application examples in these specification sheets are provided to explain the representative applications of the device and are not intended to guarantee any industrial property right or other rights or license you to use them. SHARP assumes no responsibility for any problems related to any industrial property right of a third party resulting from the use of the device.
- SHARP reserves the right to make changes in the specifications, characteristics, data, materials, structures and other contents described herein at any time without notice in order to improve design or reliability. Contact SHARP in order to obtain the latest specification sheets before using any SHARP's device. Manufacturing locations are also subject to change without notice.

Observe the following points when in using any device in this publication. SHARP takes no responsibility for damage caused by improper use of the devices.

The devices in this publication are designed for use in general electronic equipment designs, such as:

- Personal computers ▪ Office automation ▪ Telecommunication equipment
- Test and measurement equipment ▪ Industrial control
- Audio visual and multimedia equipment ▪ Consumer electronics

The appropriate design measures should be taken to ensure reliability and safety when SHARP's devices are used for equipment such as:

- Transportation control and safety equipment(i.e.,aircraft,trains,automobiles,etc.)
- Traffic signals ▪ Gas leakage sensor breakers
- Alarm equipment ▪ Various safety devices etc.

○ SHARP's devices shall not be used for equipment that requires extremely high level of reliability, such as:

- Military and space applications ▪ Nuclear power control equipment
- Medical equipment for life support

○ SHARP assumes no responsibility for any damage resulting from the use of the device which does not comply with the instructions and the precautions specified in these specification sheets.

○ Contact and consult with a SHARP sales representative for any questions about this device.

[For handling and system design]

(1) Handle with care as glass is used in this LCD panel. Dropping or contact against hard object may cause cracks or chips.

(2) Be careful to handle this LCD panel in order to avoid injury yourself by panel's edge as this panel is made of glass and might be a sharp edge.

(3) Do not scratch the surface of the polarizer as it is easily damaged.

(4) Water droplets on the polarizer must be wiped off immediately as they may cause color changes, or other defects if remained for a long time.

(5) Do not leave the LCD panel in direct sun or under ultraviolet ray.

(6) To clean LCD panel surface, wipe clean with absorbent cotton or soft cloth. If further cleaning is needed, use IPA (isopropyl alcohol) and wipe clean lightly on surface only. Do not use organic solvents as it may damage the LCD panel terminal area which uses organic material. Also, do not directly touch with finger. When the terminals cleaning are needed, those should be wiped by a soft cloth or a cotton swab without directly touching by hand.

(7) Do not expose gate driver, etc. on the panel (circuit area outside panel display area) to light as it may not operate properly. Design that shields gate driver, etc. from light is required when mounting the LCD module.

(8) To avoid circuit failure, do not touch panel terminal area.

(9) Support for the LCD panel should be carefully designed to avoid stress that exceeds specification on glass surface.

(10) When handling LCD module and assembling them into cabinets, be noted that storage in the environment of oxidization or deoxidization gas and the use of such materials as reagent, solvent, adhesive, resin, and etc. which generate these gasses, may cause corrosion and discoloration of LCD modules.

(11) To avoid picture uniformity failure, do not put a seal or an adhesive material on the panel surface.

(12) Do not use chloroprene rubber as it generates chlorine gas and affects reliability in LCD panel connective area.

(13) Protective film is attached to the surface of polarizer on LCD panel to prevent scratches or other damages. Remove this protective film before use. In addition, do not attach the protective film which is removed from LCD module again. When the LCD panel which has the reattached protective film is needed to storage for a long time, the polarizer might have a damage with picture quality failure.

(14) Panel is susceptible to mechanical stress and such stress may affect the display. Place the panel on flat surface to avoid stress caused by twist, bend, etc.

(15) When transporting LCD panels, secure them in LCD panel tray to avoid mechanical stress. The tray should be conductive to protect LCD panels from static charge.

Material used in set or epoxy resin (amine type hardening agent) from packaging, and silicon adhesive (dealcoholized or oxime) all release gas which may affect quality of polarizer. Do confirm compatibility with user materials.

(16) As this LCD module is composed electronic circuits, it is sensitive to electrostatic discharge of 200V or more.

Handle with care using cautions for the followings:

- Operators

Operators must wear anti-static wears to prevent electrostatic charge up to and discharge from human body.

- Equipment and containers

Process equipment such as conveyer, soldering iron, working bench and containers may possibly generate electrostatic charge up and discharge. Equipment must be grounded through 100Mohms resistance. Use ion blower.

- Floor

Floor plays an important role in leaking static electricity generated in human body or equipment. If the floor is made of insulated material (such as polymer or rubber material), such static electricity may charge. Proper measure should be taken to avoid static electricity charge (electrostatic earth: 100Mohms). There is a possibility that the static electricity is charged to them without leakage in case of insulating floor, so the electrostatic earth: $1 \times 10^8 \Omega$ should be made.

- Humidity

Humidity in work area relates to surface resistance of the persons or objects that generate electrostatics, and it can be manipulated to prevent electrostatic charge. Humidity of 40% or lower increases electrostatic earth resistance and promotes electrostatic charging. Therefore, the humidity in the work area should be kept above 40%. Specifically for film peeling process or processes that require human hands, humidity should be kept above 50% and use electricity removal blower.

- Transportation/Storage

Containers and styroform used in transportation and storage may charge electrostatic (from friction and peeling) or electrostatic charge from human body, etc. may cause containers and styroform to have induced charge. Proper electrostatic measure should be taken for containers and storage material.

[For operating LCD module]

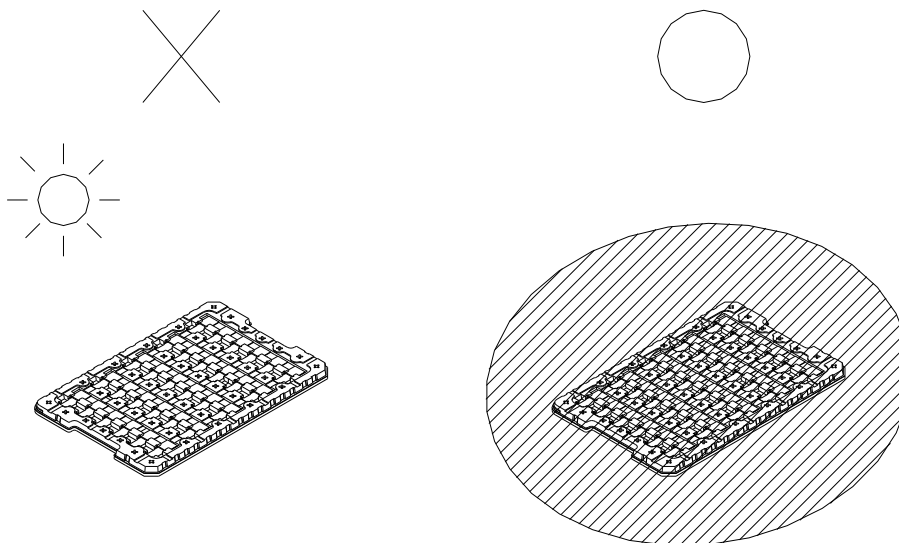
- (1) Do not operate the LCD panel under outside of electrical specification. Otherwise LCD panel may be damaged.
- (2) Do not use the LCD panel under outside of specified driving timing chart. Otherwise LCD panel may not have proper picture quality.
- (3) A still image should be displayed less than two hours, if it is necessary to display still image longer than two hour, display image data must be refreshed in order to avoid sticking image on LCD panel.
- (4) If LCD module takes a static electricity, as the display image which is written into pixel memory might not be displayed, Data update should be executed frequently.
- (5) It is neither a breakdown nor a defective indication though very slight change in black level might be periodically seen in a black part on the black display image according to the source of light (angle of the luminance and the source of light).

[Precautions for Storage]

- (1) After opening the package, do not leave the LCD panel in direct sun or under strong ultraviolet ray. Store in dark place.
- (2) In temperature lower than specified rating, liquid crystal material will coagulate. In temperature higher than specified rating, it isotropically liquifies. In either condition, the liquid crystal may not recover its original condition. Store the LCD panel in at or around room temperature as much as possible.
Also, storing the LCD panel in high humidity will damage the polarizer. Store in normal room temperature as much as possible.

(3) Keeping Method

- a. Don't keeping under the direct sunlight.
- b. Keeping in the tray under the dark place.



[Other Notice]

- (1) Operation outside specified environmental conditions cannot be guaranteed.
- (2) As power supply (VDD-GND、VDDA-GND) impedance is lowered during use, bus controller should be inserted near LCD module as much as possible.
- (3) Polarizer is applied over LCD panel surface. Liquid crystal inside LCD panel deteriorates with ultraviolet ray. The panel should not be left in direct sun or under strong ultraviolet ray for prolonged period of time even with the polarizer.
- (4) Disassembling the LCD module will cause permanent damage to the module. Do not disassemble the module.
- (5) If LCD panel is broken, do not ingest the liquid crystal from the broken panel. If hand, leg, or clothes come in contact with liquid crystal, wash off immediately with soap.
- (6) ODS (specific chlorofluorocarbon, specific halon, 1-1-1 trichloroethane, carbon tetrachloride) are not used or contained in material or all production processes of this product.
- (7) Observe all other precautionary requirements in handling general electronic components.

Discarding liquid crystal modules

LCD Panel : Dispose of as glass waste. This LCD module contains no harmful substances.

The liquid crystal panel contains no dangerous or harmful substances.

This liquid crystal panel contains only an extremely small amount of liquid crystal (approximately 100mg) and therefore it will not leak even if the panel should break.

Its median lethal dose (LD50) is greater than 2,000 mg/kg and a mutagenetic (Aims test: negative) material is used.

Contents

| | |
|---|-----------|
| 1. Outline | 7 |
| 2. Characteristics..... | 7 |
| 3. Mechanical Specification..... | 7 |
| 4. Input terminal names and functions..... | 8 |
| 5. Absolute Maximum Rating | 9 |
| 6. Electrical characteristics | 10 |
| 7. Optical characteristics | 21 |
| 8. Module outline | 23 |
| 9. External capacitors | 24 |
| 10. External Power Supply Circuit | 25 |
| 11. Zebra connector | 26 |
| 12. Packaging..... | 27 |
| 13. Reliability Test Conditions | 29 |

1. Outline

This TFT-LCD module is a reflective active-matrix with slightly transmissive memory liquid crystal display module with CG silicone thin film transistor. Module outline is indicated in fig 8-1.

2. Characteristics

- Transflective panel of white and black
- 1.26" screen has 144x 168 resolution. (24192 pixels stripe array)
- Display control by serial data signal communication.
- Arbitrary line data renewable.
- 1bit internal memory for data storage within the panel.
- Thin, light-weight and compact module with monolithic technology.
- Super low power consumption TFT panel.
- Zebra connector

3. Mechanical Specification

Table 3-1

| Item | Specification | unit |
|-------------------|----------------------------------|-----------------|
| Screen size | 3.2 (1.26") | cm |
| Viewing Area | 20.88 (H) × 24.36 (V) | mm |
| Dot configuration | 144 (H) × 168 (V) | Dot |
| Dot pitch | 0.145 (H) × 0.145 (V) | mm |
| Pixel Array | Stripe Array | - |
| Outline Dimension | 24.88 (W) × 33.00 (H) × 1.64 (D) | mm |
| Mass | 3.0 | g |
| Surface Hardness | 3H | Pencil hardness |

(Note) Detail dimension and tolerance are shown in fig. 8-1

4. Input terminal names and functions

Table4-1

| Terminal | symbol | I/O | Function | Remark |
|----------|----------|-------|---|-------------|
| 1 | TEST1 | - | Test terminal | 【Remark4-1】 |
| 2 | TEST2 | - | Test terminal | 【Remark4-1】 |
| 3 | SCLK | INPUT | Serial clock signal | |
| 4 | SI | INPUT | Serial data input signal | |
| 5 | SCS | INPUT | Chip select signal | |
| 6 | EXTCOMIN | INPUT | External COM inversion signal input (H: enable) | |
| 7 | DISP | INPUT | Display ON/OFF signal | 【Remark4-3】 |
| 8 | VDDA | POWER | Power supply (Analog) | |
| 9 | VDD | POWER | Power supply (Digital) | |
| 10 | EXTMODE | INPUT | COM inversion select terminal | 【Remark4-2】 |
| 11 | VSS | GND | GND(Digital) | |
| 12 | VSSA | GND | GND(Analog) | |
| 13 | TEST3 | - | Test terminal | 【Remark4-1】 |
| 14 | TEST4 | - | Test terminal | 【Remark4-1】 |

【Remark4-1】Test terminal should be OPEN.

【Remark4-2】When EXTMODE is "H", EXTCOMIN signal is enable.

When EXTMODE is "L", serial input flag is enable.

"H" mode; connect the EXTMODE to VDD, "L" mode; connect the EXTMODE to VSS.

【Remark4-3】The display ON/OFF signal is only for display. Data in the memory will be saved at the time of ON/OFF.

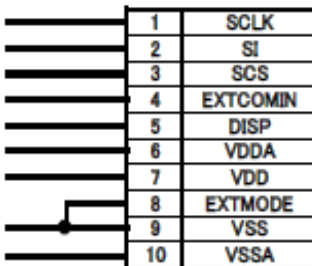
When it's "H", data in the memory will display, when it's "L", white color will display and data in the memory will be saved.

4-2) Recommended Circuit

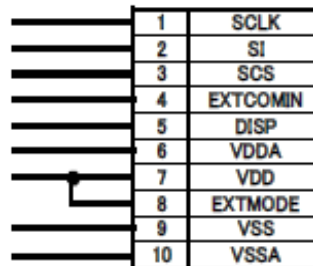
COM signal serial input
EXTMODE="L"

External COM signal input
EXTMODE="H"

COM Signal Serial Input
EXTMODE=L



External COM Signal Input
EXTMODE=H



5. Absolute Maximum Rating

Table5-1 (GND=0V)

| Item | | Symbol | MIN. | MAX. | Unit | Remark |
|--|--------|--------|------|------|------|---------------|
| Power supply voltage | Analog | VDDA | -0.3 | +5.8 | V | |
| | Logic | VDD | -0.3 | +5.8 | V | [Remark5-1] |
| Input signal voltage(high) | | | | VDD | V | [Remark5-2] |
| Input signal voltage(low) | | | -0.3 | | V | |
| Storage Temperature | | Tstg | -30 | +80 | °C | [Remark5-3,4] |
| Operation Temperature (at panel surface) | | Topr1 | -20 | +70 | °C | [Remark5-5] |

[Remark5-1] Applies to EXTMODE.

[Remark5-2] Applies to SCLK, SI, SCS, DISP, EXTCOMIN.

[Remark5-3] Do not exceed this temperature in any parts of module.

[Remark5-4] Maximum wet bulb temperature is 57°C or lower. No condensation is allowed.

Condensation will cause electrical leak and may cause the module to not meet this specification.

[Remark5-5] Operating temperature is the temperature that guarantees only for the operation.

For contrast, response time, and other display quality determination, use Ta= +25°C.

6. Electrical characteristics

6-1) TFT LCD panel drive

Table6-1 Recommended operating Condition

VSS(GND)=0V, Ta= +25°C

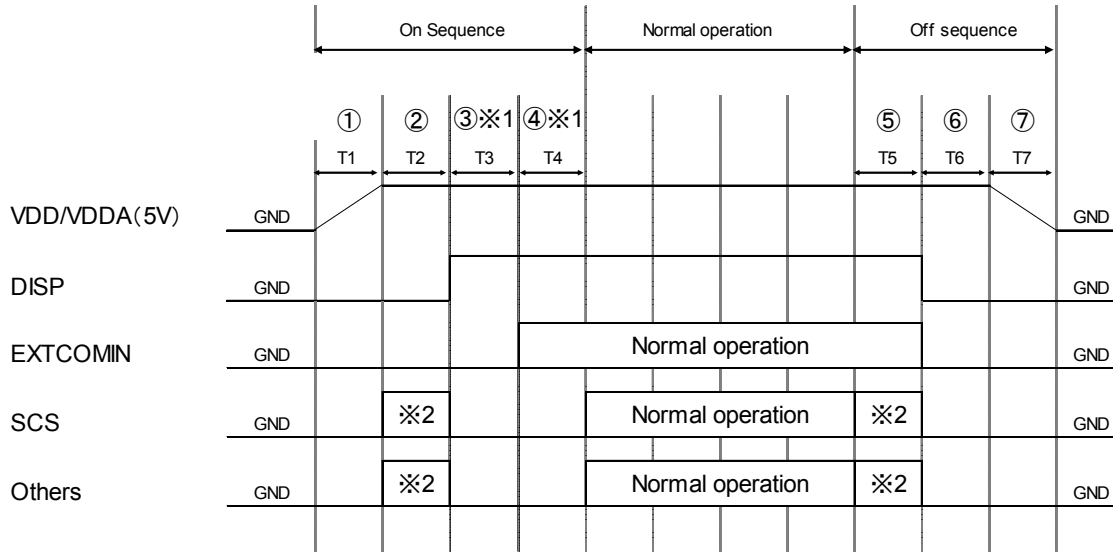
| Item | symbol | MIN. | TYP. | MAX. | Unit | Remark | |
|----------------------|--------|------|-------|-------|----------|--------|-------------|
| Power supply | Analog | VDDA | +4.8 | +5.0 | +5.5 | V | |
| | Logic | VDD | +4.8 | +5.0 | +5.5 | V | [Remark6-1] |
| Input signal voltage | Hi | VIH | +2.70 | +3.00 | *VDD | V | [Remark6-2] |
| | Lo | VIL | VSS | VSS | VSS+0.15 | V | |

*It can be operated below VDD voltage, however, operation around 3V is recommended.

[Remark6-1] Applies to EXTMODE="H"

[Remark6-2] Applies to SCLK, SI, SCS, DISP, EXTCOMIN.

6-2) Power supply sequence



※Refer to timing chart and AC timing characteristics for detail

※1 ③ and ④ may be opposite (however, TCOM polarity inversion will not occur even with EXTCOMIN between DISP="L". Also, when DISP and EXTCOMIN are simultaneously started up, allow 30us or more before SCS starts up (It may be less than 60us).

※2 Setting value for pixel memory initialization

SCS=Driving accordingly to clear pixel internal memory method (use all clear flag or write all screen white)

S1=M2 (all clear flag) = "H" or write white

SCLK: Normal Driving

[ON Sequence]

(1) 5V rise time (depends on IC)

(2) Pixel memory initialization T2: 1V or more Initialize with M2 (all clear flag) or write all screen white

(3) Release time for initialization of TCOM latch T3: 30us or more

Time required to release COM related latch circuit initialization which is initializing using DISP signals

(4) TCOM polarity initialization time T4: 30us or more

Time required initializing TCOM polarity accordingly to EXTCOMIN input

[Normal Operation]

Duration of normal driving

[Off Sequence]

(5) Pixel memory initialization time T5: 1V or more

(6) VA, VB, VCOM initialization time T6: 1V or more

(7) 5V falling time (Depends on IC)

[Remark] Precautions at ehte time of power on and power off.

Remark 1)When power on , VDDand VDDA are same timem or VDD should be faster than the VDDA.

Remark 2) When power off, VDD and VDDA are same time or VDDA shoud be faster than the VDD.

6-3) Input signal characteristics

Table6-3-1 VDDA=+5.0V, VDD=+5.0V, GND=0V, Ta=25°C

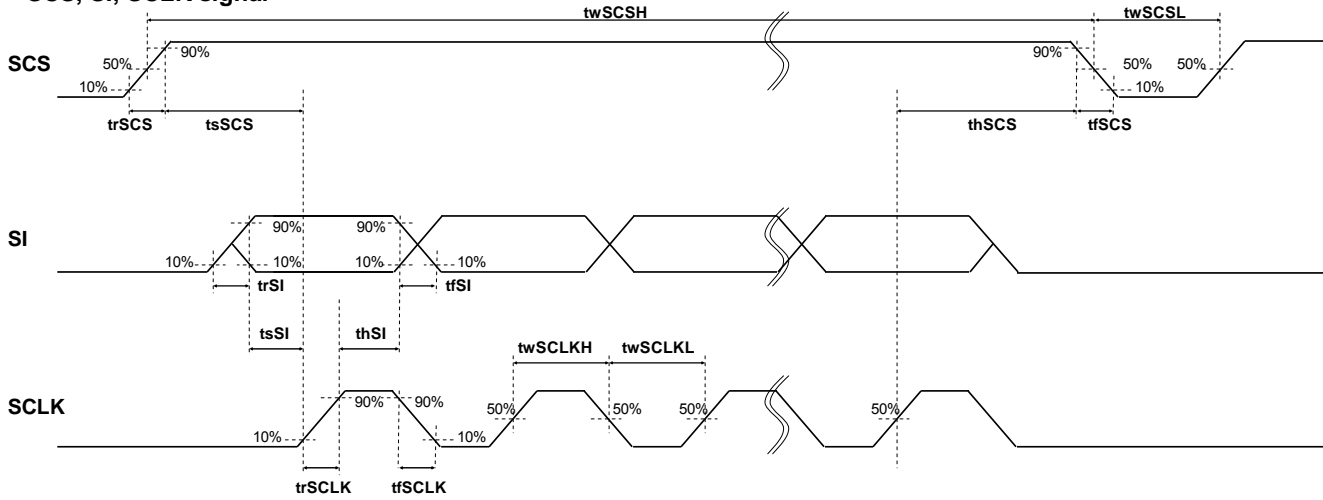
| Item | Symbol | MIN | TYP | MAX | Unit | Remark |
|-------------------|--------|-------|-----|------|------|--------|
| Frame frequency | fSCS | 1 | - | 60 | Hz | |
| Clock frequency | fSCLK | | 1 | 2 | MHz | |
| Vertical Interval | tV | 16.66 | - | 1000 | ms | |
| COM Frequency | fCOM | 0.5 | - | 30 | Hz | |

Table 6-3-2 VDDA=+5.0V, VDD=+5.0V, GND=0V, Ta=25°C

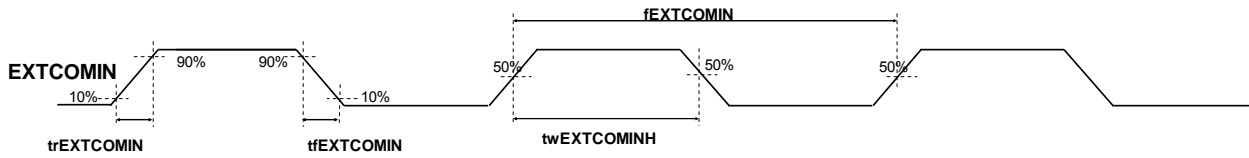
| Item | Symbol | MIN | TYP | MAX | Unit | Remark |
|------------------------------|------------|-------|-----|-----|------|-------------|
| SCS Rising time | trSCS | - | - | 50 | ns | |
| SCS Falling Time | tfSCS | - | - | 50 | ns | |
| SCS High duration | twSCSH | 92 | - | - | us | |
| | | 12 | - | - | us | |
| SCS Low duration | twSCSL | 1 | - | - | us | |
| SCS set up time | tsSCS | 3 | - | - | us | |
| SCS hold time | thSCS | 1 | - | - | us | |
| SI frequency | fSI | - | 0.5 | 1 | MHz | |
| SI Rising time | trSI | - | - | 50 | ns | |
| SI Folling time | tfSI | - | - | 50 | ns | |
| SI set up time | tsSI | (120) | - | - | ns | |
| SI hold time | thSI | (125) | - | - | ns | |
| SCLK Rising time | trSCLK | - | - | 50 | ns | |
| SCLK Folling time | tfSCLK | - | - | 50 | ns | |
| SCLK High duration | twSCLKH | 200 | 450 | - | ns | |
| SCLK Low duration | twSCLKL | 200 | 450 | - | ns | |
| EXTCOMIN signal freequency | fEXTCOMIN | | 1 | 60 | Hz | [Remark6-3] |
| EXTCOMIN signal rising time | trEXTCOMIN | - | - | 50 | ns | |
| EXTCOMIN signal folling time | twEXTCOMIN | - | - | 50 | ns | |
| EXTCOMIN signalHigh duration | thEXTCOMIN | 1 | | | us | |
| DISP Rising time | trDISP | - | - | 50 | ns | |
| DISP Folling time | tfDISP | - | - | 50 | ns | |

【Remark 6-3】 EXTCOMIN frequency should be made lower than frame frequency.

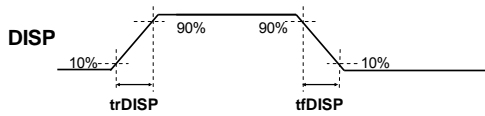
SCS, SI, SCLK signal



EXTCOMIN signal



DISP signal



※SCS, SI, SCLK, DISP, EXTCOMIN: 3V input voltage

6-4) Power consumption (Average)

Table6-4

Ta=25°C

| Item | MIN | TYP | MAX | unit | Remark |
|------------|-----|-----|-----|------|-------------|
| Condition1 | - | 15 | - | uW | [Remark6-4] |
| Condition2 | - | 50 | - | uW | [Remark6-4] |

* Measurement Condition 1

Display mode (no display data update), Display pattern: Vertical stripe display

* Measurement Condition 2

Data update mode (with display data update: 1Hz)

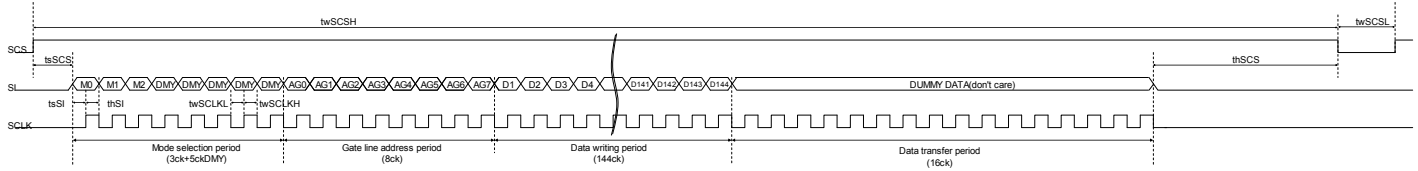
Common inversion with VDD=5V、VDDA=5V、fSCLK=1MHz、fSCS=1Hz, Display pattern: Vertical stripe display

【Remark 6-4】 This is value in steady condition, not the value of peak power at the time of COM operation. Some margining for power supply is recommended. We recommend capacitor for VDD and VDDA. (If VDD and VDDA are on separate systems, we recommend capacitor for each.)

6-5) Input Signal Timing Chart

6-5-1 Data update mode (1 line)

Updates data of only one specified line. (M0="H", M2="L")



M0: Mode flag. Set for "H". Data update mode (Memory internal data update)

When "L", display mode (maintain memory internal data).

M1: Frame inversion flag.

When "H", outputs VCOM="H", and when "L", outputs VCOM="L".

When EXTMODE="H", it can be "H" or "L".

M2: All clear flag.

Refer to 6-5-4) All Clear Mode to execute clear.

DUMMY DATA: Dummy data. It can be "H" or "L" ("L" is recommended.)

※ Data write period

Data is being stored in 1st latch block of binary driver on panel.

※ Data transfer period

Data written in 1st latch is being transferred (written) to pixel internal memory circuit.

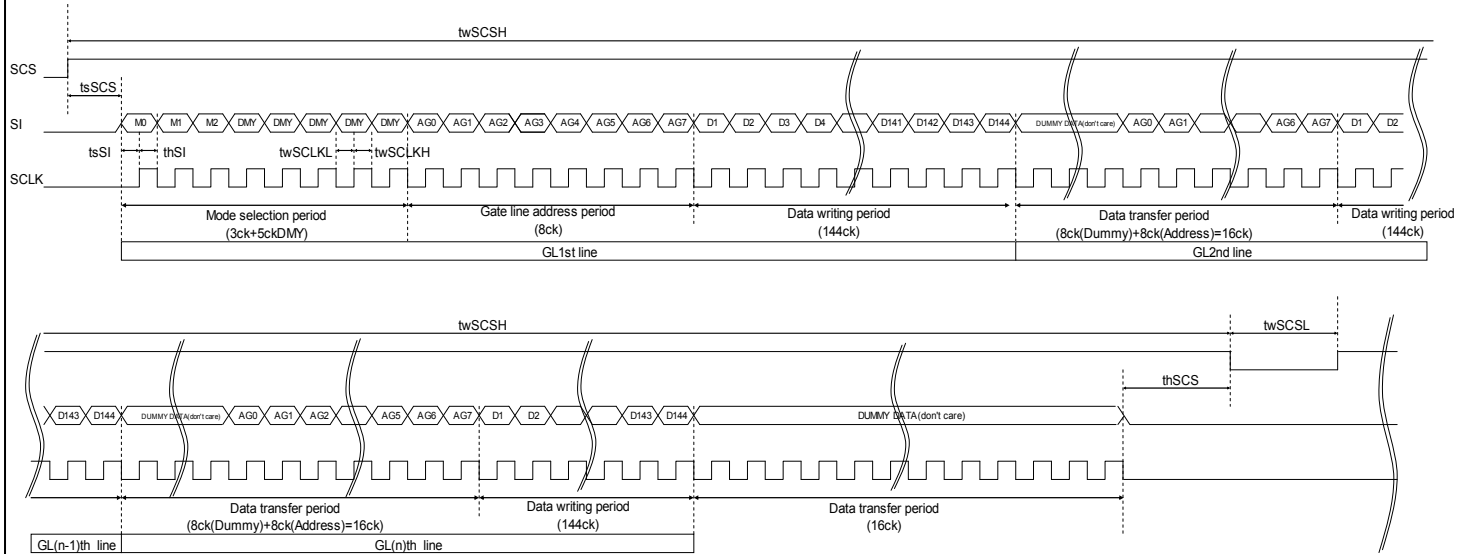
※For gate line address setting, refer to 6-6) Input Signal and Display.

※M1: Frame inversion flag is enabled when EXTMODE="L".

※When SCS becomes "L", M0 and M2 are cleared.

6-5-2 Data Update Mode (Multiple Lines)

Updates arbitrary multiple lines data. (M0="H", M2="L")



M0: Mode flag. Set for "H". Data update mode (Memory internal data update)
When "L", display mode (maintain memory internal data).

M1: Frame inversion flag.
When "H", outputs VCOM="H", and when "L", outputs VCOM="L".
When EXTMODE="H", it can be "H" or "L".

M2: All clear flag.
Refer to 6-5-4) All Clear Mode to execute clear.

DUMMY DATA: Dummy data. It can be "H" or "L" ("L" is recommended.)

- ※ Data write period
Data is being stored in 1st latch block of binary driver on panel.
- ※ Data transfer period
For example, during GL2nd line data transfer period, GL 2nd line address is latched and GL1st line data is transferred from 1st latch to pixel internal memory circuit at the same time.

※ For gate line address setting, refer to 6-6) Input Signal and Display.

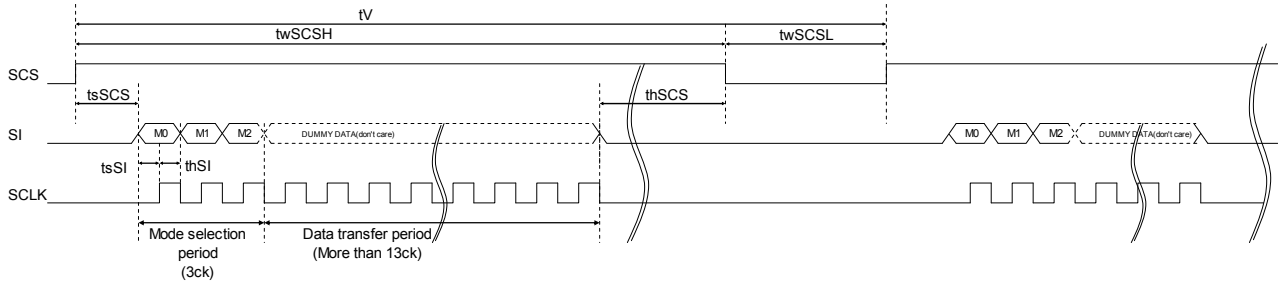
※ Input data continuously.

※ M1: Frame inversion flag is enabled when EXTMODE="L".

※ When SCS becomes "L", M0 and M2 are cleared.

6-5-3 Display Mode

Maintains memory internal data (maintains current display). (M0="L", M2="L")



M0: Mode flag. Set for "H". Data update mode (Memory internal data update)
When "L", display mode (maintain memory internal data).

M1: Frame inversion flag.
When "H", outputs VCOM="H", and when "L", outputs VCOM="L".
When EXTMODE="H", it can be "H" or "L".

M2: All clear flag.
Refer to 6-5-4) All Clear Mode to execute clear.

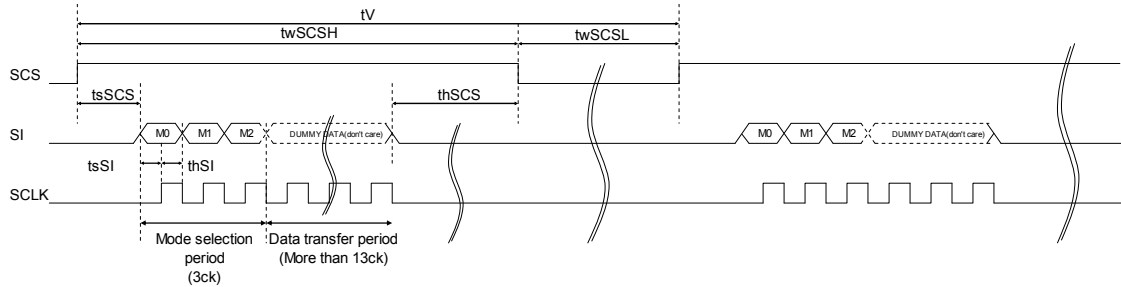
DUMMY DATA: Dummy data. It can be "H" or "L" ("L" is recommended.)

※ M1: Frame inversion flag is enabled when EXTMODE="L"

※ When SCS becomes "L", M0 and M2 are cleared.

6-5-4 All Clear Mode

Clears memory internal data and writes white. (M0="L", M2="H")



M0: Mode flag.

Set it "L".

M1: Frame inversion flag.

When "H", outputs VCOM="H", and when "L", outputs VCOM="L".

When EXTMODE="H", it can be "H" or "L".

M2: All clear flag.

Set it "H"

DUMMY DATA: Dummy data. It can be "H" or "L" ("L" is recommended.)

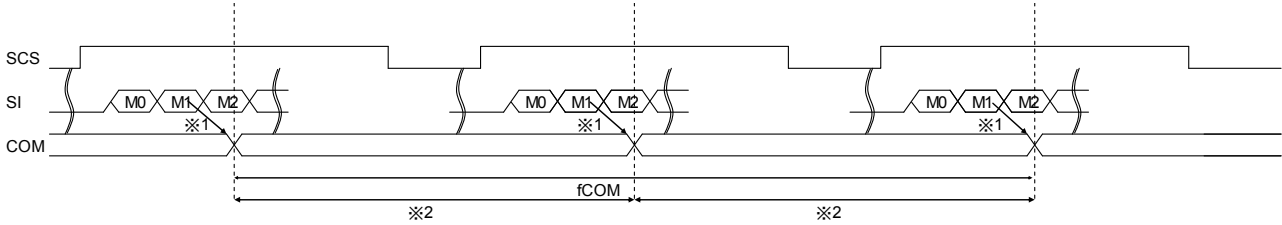
※ M1: Frame inversion flag is enabled when EXTMODE="L".

※ When SCS becomes "L", M0 and M2 are cleared.

6-5-5 COM Inversion

There are two types of inputs, COM signal serial input (EXTMODE="L") and external COM signal input (EXTMODE="H").

EXTMODE="L"



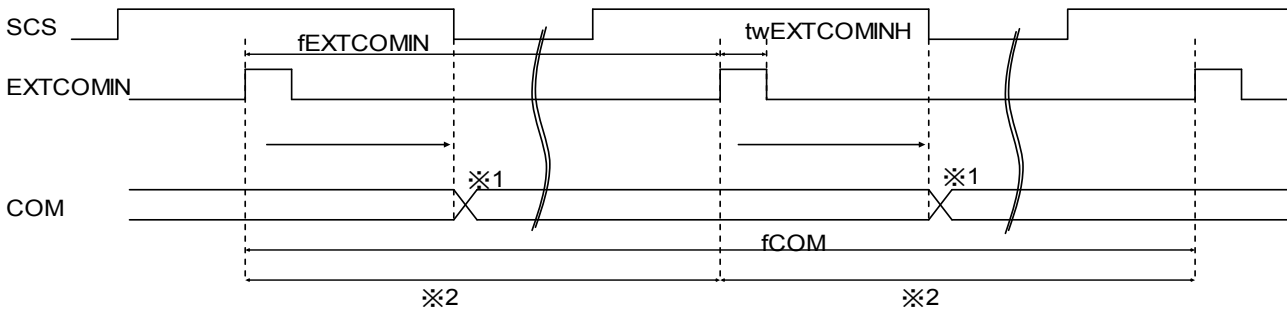
M1: LC polarity inversion flag: If M1 is "H" then VCOM="H" is output. If M1 is "L" then VCOM="L" is output.

※1: LC inversion has been changed by M1 flag statement.

※2: The periods of plus polarity and minus polarity should be same length as much as possible.

EXTMODE="H" (COM inversion timing has two conditions)

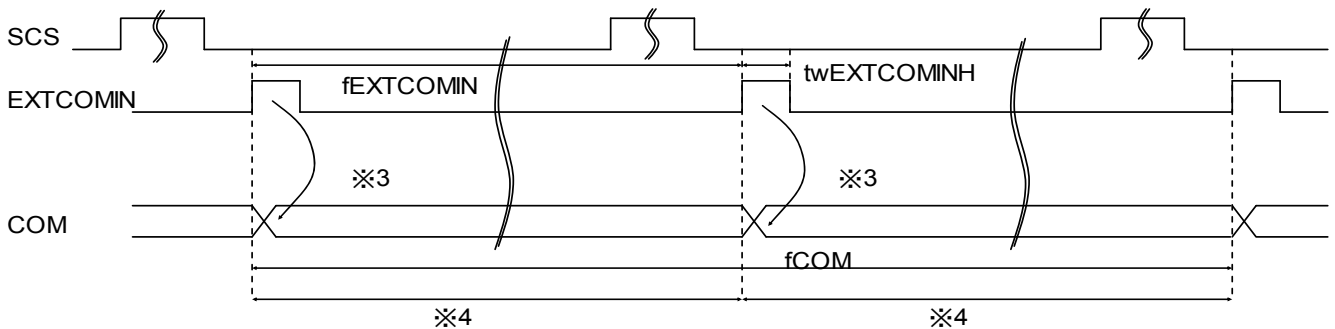
①: the EXTCOMIN input during high period of the SCS signal .



※1: LC inversion polarity has been set by the falling edge of SCS signal.

※2: The period of EXTCOMIN should be constant.

②: the EXTCOMIN input during low period of the SCS signal .

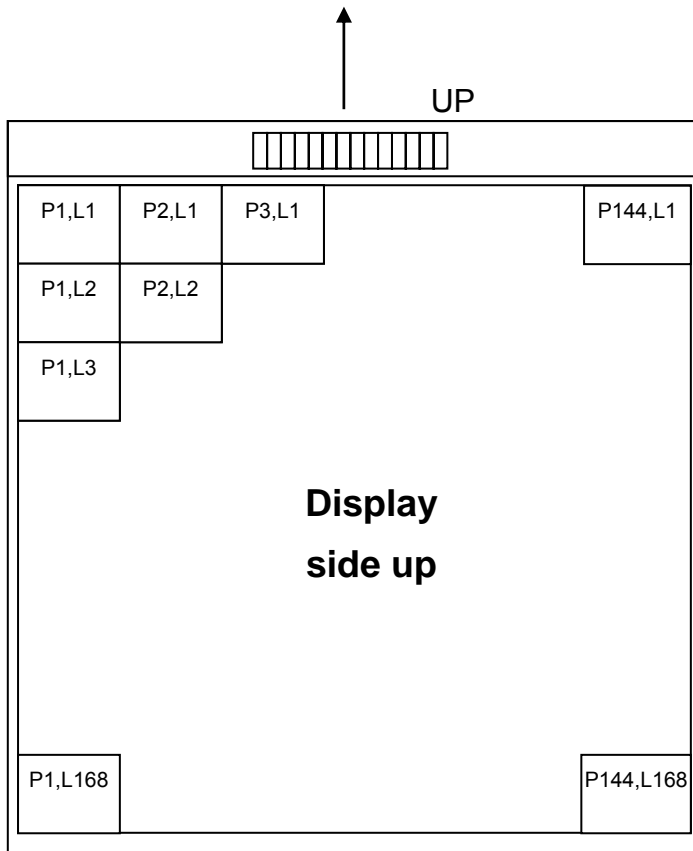


※3: LC inversion polarity has been set by the rising edge of EXTCOMIN.

※4: The period of EXTCOMIN should be constant.

6-6) Input Signal and Display, Gate address(Line) Setting

Data position in display[H,V]



Gate line address setting

| GL | AG0 | AG1 | AG2 | AG3 | AG4 | AG5 | AG6 | AG7 |
|-----|-----|-----|-----|-----|-----|-----|-----|-----|
| 1 | 1 | 0 | 0 | 0 | 0 | 0 | 0 | 0 |
| 2 | 0 | 1 | 0 | 0 | 0 | 0 | 0 | 0 |
| 3 | 1 | 1 | 0 | 0 | 0 | 0 | 0 | 0 |
| 4 | 0 | 0 | 1 | 0 | 0 | 0 | 0 | 0 |
| 5 | 1 | 0 | 1 | 0 | 0 | 0 | 0 | 0 |
| 6 | 0 | 1 | 1 | 0 | 0 | 0 | 0 | 0 |
| 7 | 1 | 1 | 1 | 0 | 0 | 0 | 0 | 0 |
| 8 | 0 | 0 | 0 | 1 | 0 | 0 | 0 | 0 |
| : | : | : | : | : | : | : | : | : |
| 161 | 1 | 0 | 0 | 0 | 0 | 1 | 0 | 1 |
| 162 | 0 | 1 | 0 | 0 | 0 | 1 | 0 | 1 |
| 163 | 1 | 1 | 0 | 0 | 0 | 1 | 0 | 1 |
| 164 | 0 | 0 | 1 | 0 | 0 | 1 | 0 | 1 |
| 165 | 1 | 0 | 1 | 0 | 0 | 1 | 0 | 1 |
| 166 | 0 | 1 | 1 | 0 | 0 | 1 | 0 | 1 |
| 167 | 1 | 1 | 1 | 0 | 0 | 1 | 0 | 1 |
| 168 | 0 | 0 | 0 | 1 | 0 | 1 | 0 | 1 |

7. Optical characteristics

Table 7-1

Ta=25□

| Item | Symbol | MIN. | TYP. | MAX. | unit | Remark |
|-----------------------|--------|---------|-------|---------|-----------|----------------|
| Viewing angle CR≥2 | H | θ21,θ22 | (40) | (55) | °(degree) | [Remark7-1] |
| | V | θ11 | (40) | (60) | °(degree) | |
| | | θ12 | (40) | (60) | °(degree) | |
| Contrast ratio | CR. | | (14) | | | [Remark7-2, 3] |
| Reflecivity ratio | R | | (17) | | % | [Remark7-3] |
| Transmissivity ratio | T | | (0.3) | | % | |
| Response time | Rise | τr | | 10 | ms | [Remark 7-3,4] |
| | Fall | τd | | 20 | ms | |
| Panel Chromaticity | White | x | | (0.307) | | [Remark7-3] |
| | | y | | (0.330) | | |

[Remark7-3] Optical characteristics measurement equipment.

Figure 7-2 is for contrast ratio, reflectivity ratio, and panel chromaticity measurement, and figure 7-3 is for response time measurement. Both are to be conducted in a dark or room equipment to a dark room

Measurement equipment
(CM-2002)

Normal line

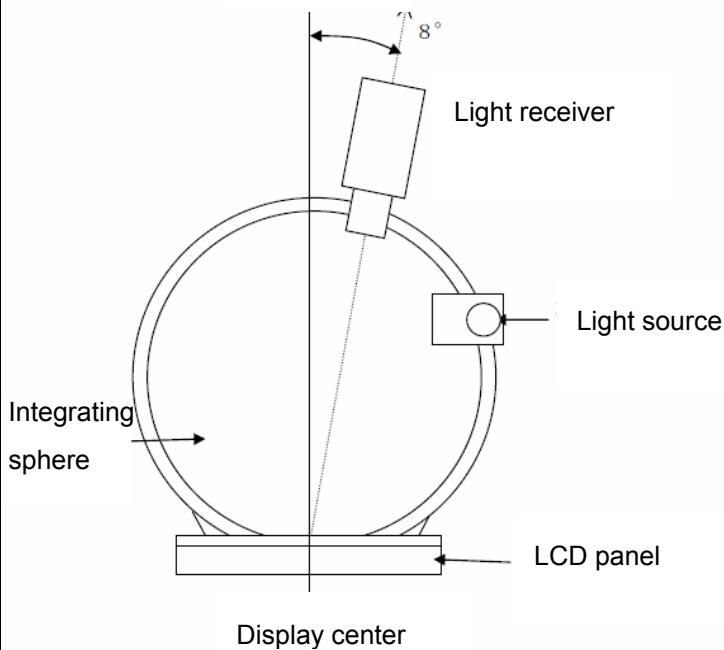


Fig7-2 Contrast ratio, Reflection ratio, Panel chromaticity of white

Measurement equipment
(LCD-5200)

Normal line

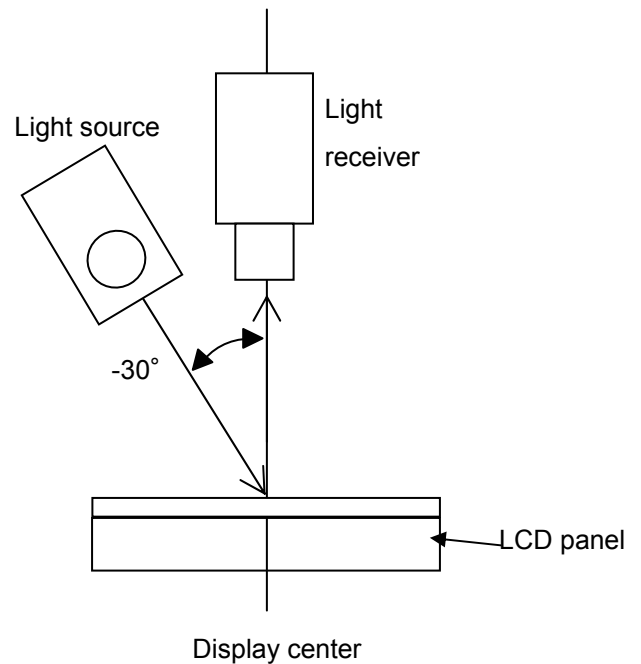
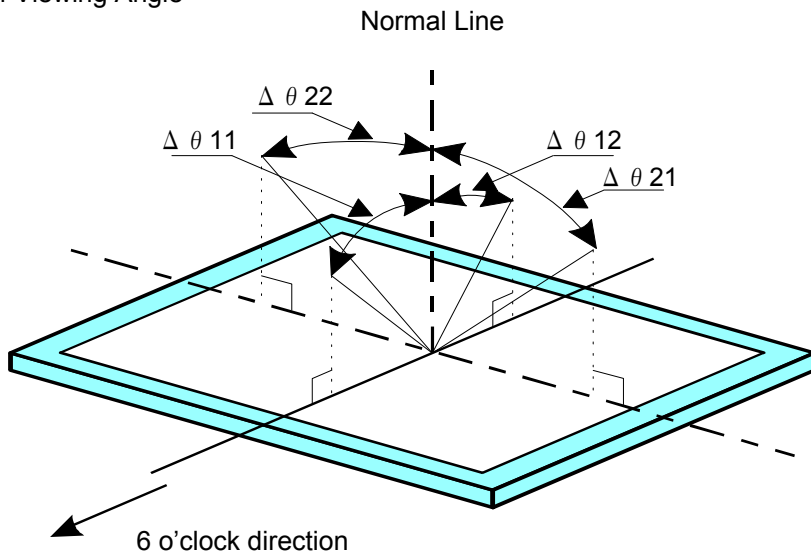


Fig7-3 response time

[Remark7-1] Defintion of Viewing Angle

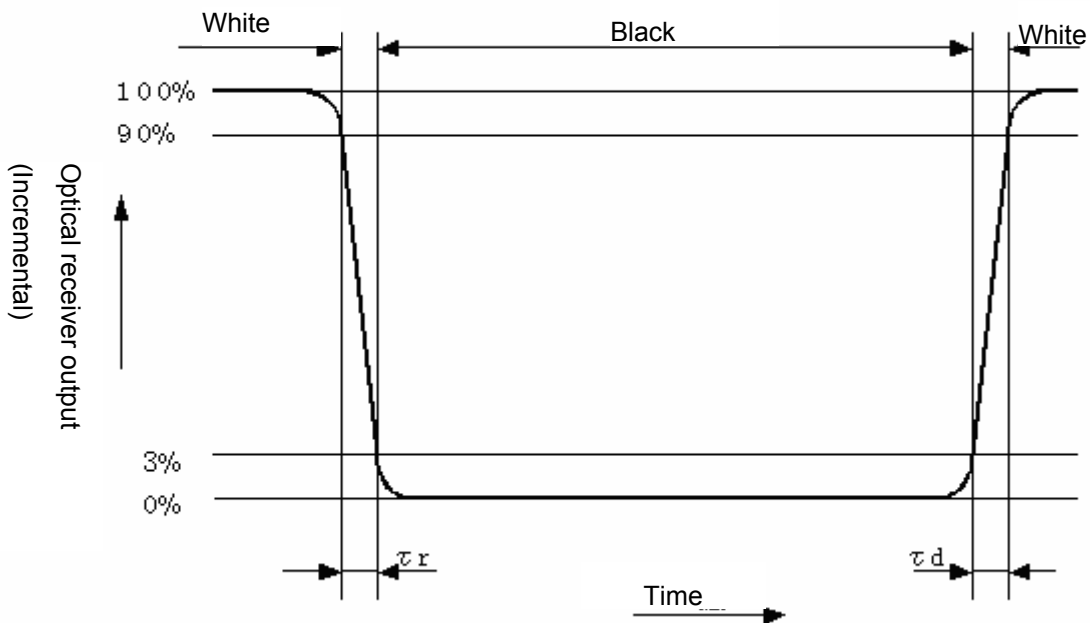


[Remark7-2] Defintion of Contrast Retio

$$\text{Contrast ratio(CR)} = \frac{\text{Reflection intensity in white display}}{\text{Reflection intensity in black display}}$$

[Remark7-4] Respons time (Change in reflection ratio)

It's difined by the time change of optical receiver output when signal is input to display white or black



8. Module outline

8-1) Outline dimension of the 1.26" (144 x 168) panel

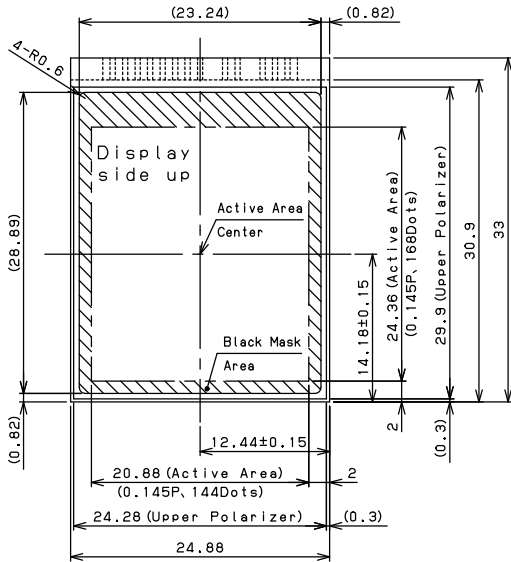


fig.8-1

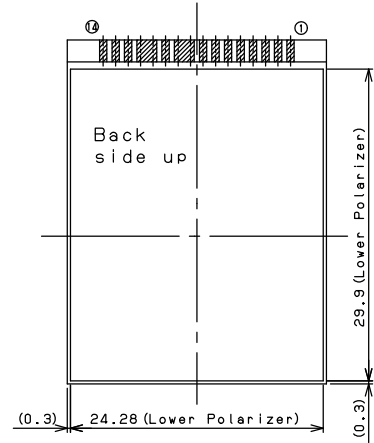
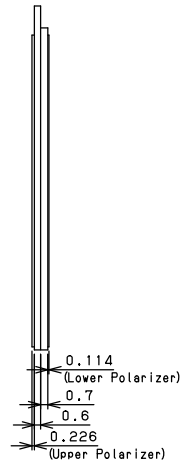


fig. 8-2

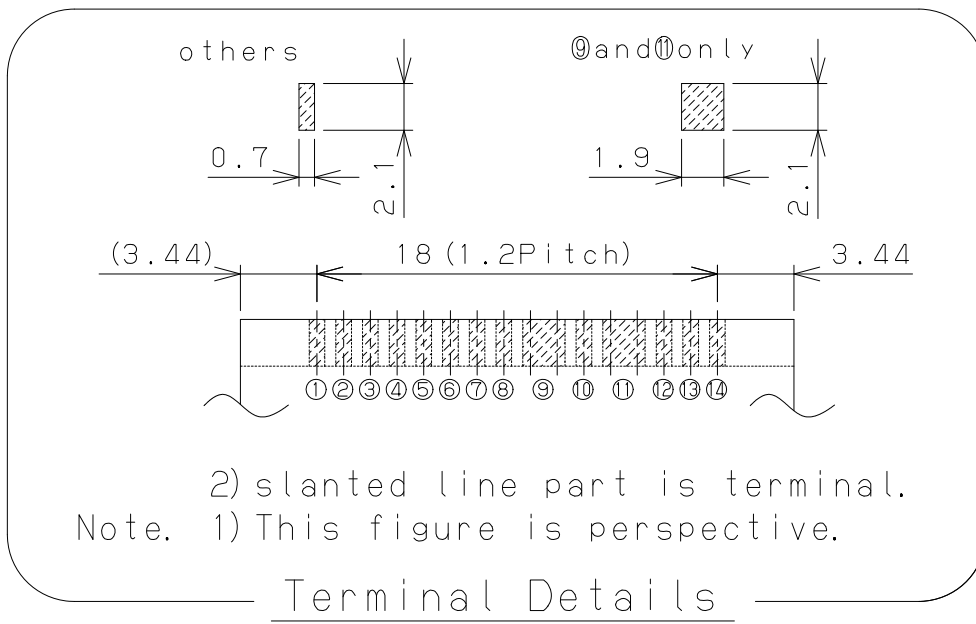


fig. 8-3

9. External capacitors

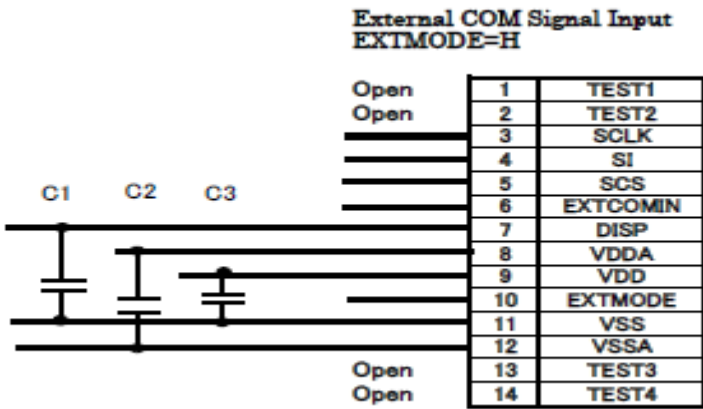


Fig. 9-1 External capacitor recommendation capacity value

<Recommended capacity value>

C1: DISP- VSS: rank B 0.1uF Ceramic capacitor

C2: VDDA- VSS: rank B 1uF Ceramic capacitor

C3: VDD- VSS: rank B 1uF Ceramic capacitor

※Above circuit and parts are only recommendation.

For actual use, please evaluate their conformity with your system and design.

(Capacitor pressure resistance can be larger than resistance indicated above.)

10. External Power Supply Circuit

An external power supply circuit is necessary to drive the Pixel Memory LCD with the 3V battery.

Table 1-1 shows power supply IC of the recommendation.

Table 1-1

| Maker | Model Number | Note |
|------------------------|--------------|------------------|
| SII | S-8821 | Charge pump type |
| National Semiconductor | LM2750 | Charge pump type |

Refer to specifications of each power supply IC for a detailed specification.

Set the constant value after it evaluating it sufficiently by an actual application when you use it.

Electrical specification

Table 2-1

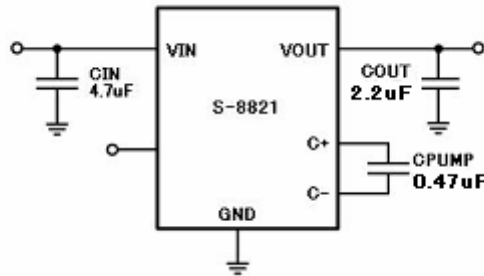
| Model Number | Vin [V] | | Vout | | | Iout [A] |
|--------------|---------|-----|------|-----|-----|----------|
| | min | max | min | typ | max | |
| S-8821 | 2.8 | 5.0 | 4.9 | 5.0 | 5.1 | 0.04 |
| LM2750 | 2.7 | 5.6 | 4.8 | 5.0 | 5.2 | 0.04 |

Refer to specifications of each power supply IC for a detailed specification.

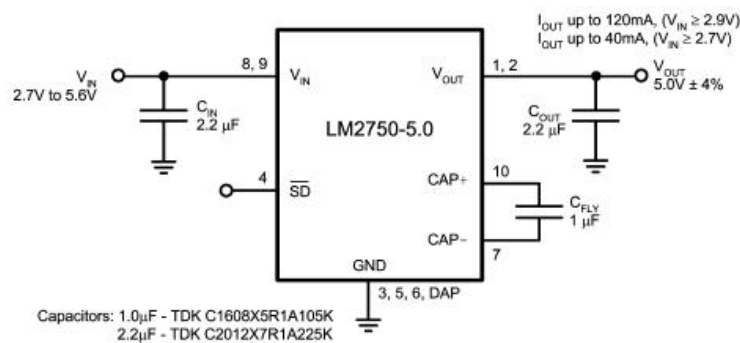
Set the constant value after it evaluating it sufficiently by an actual application when you use it.

Reference circuit

The reference circuit is shown below.



S-8821



Capacitors: 1.0µF - TDK C1608X5R1A105K
2.2µF - TDK C2012X7R1A225K

LM2750

11. Zebra connector

Contact Resistance : lower than 100Ω

【Recommended zebra connector】

Shin-Etsu Polymer: SX type

Recommended size L : 27.7±0.2mm W : 1.5±0.1mm H : 2.0±0.1mm P : 0.03mm

Recommended compression ratio : 15±8%

The zebra connector placement position

1. SX Specifications (A figure of reference)

Zebra connector recommendation
compression ratio MIN:7% TYP:15% MAX:23%

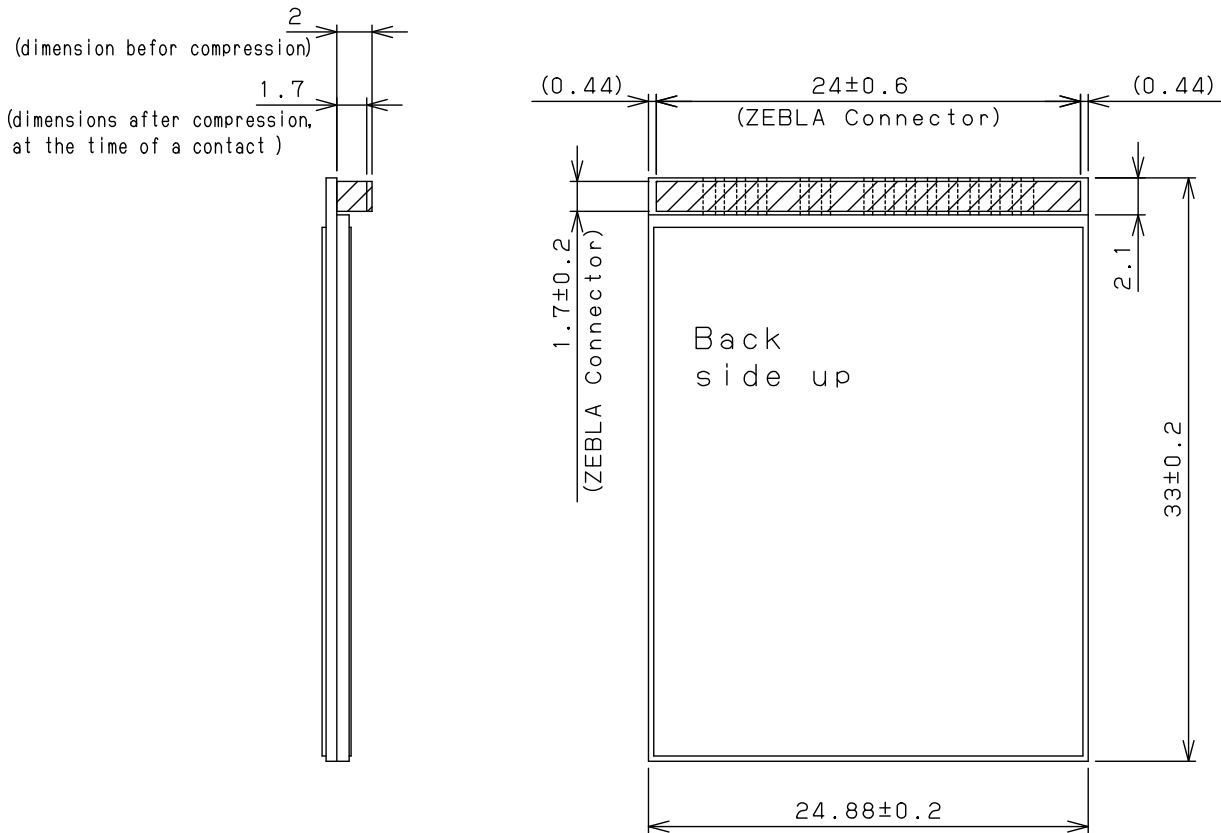
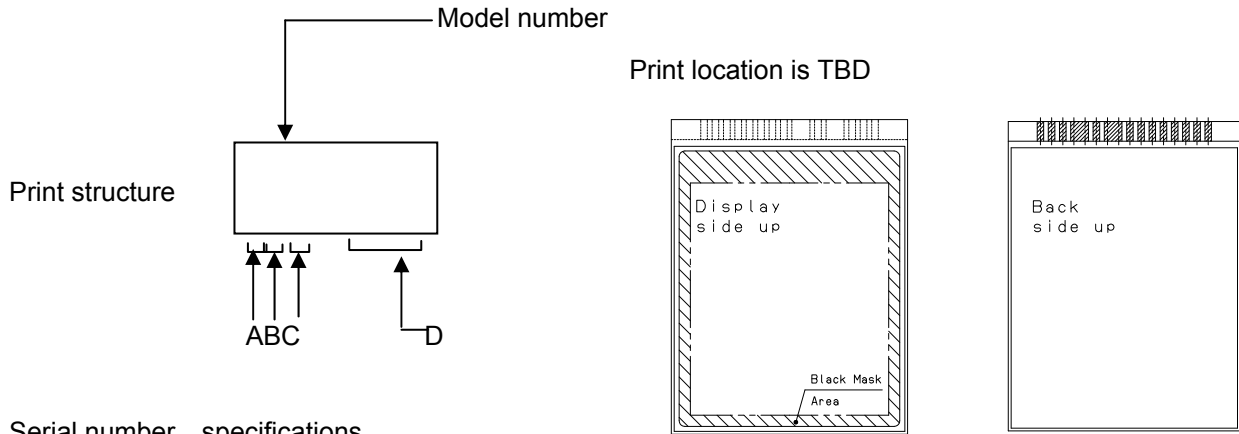


Fig 11-1

12. Packaging

12-1) Serial number (Ink-jet print)

Will be indicated on serial number label as indicated in Figure 12-1 outline dimension figure.



Serial number specifications

- A: a single figure of the year
- B: month(1,2....9,X,Y,Z)
- C: day
- D: serial number

Fig. 12-1 Serial number print position

12-2) Forwarding form

1) Piling number of cartons : TBD

Package quality in a carton : TBDpcs

2) Storage condition

Temperature: 0~40°

Humidity: 60%RH or lower (at 40°)

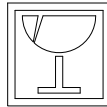
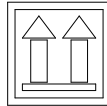
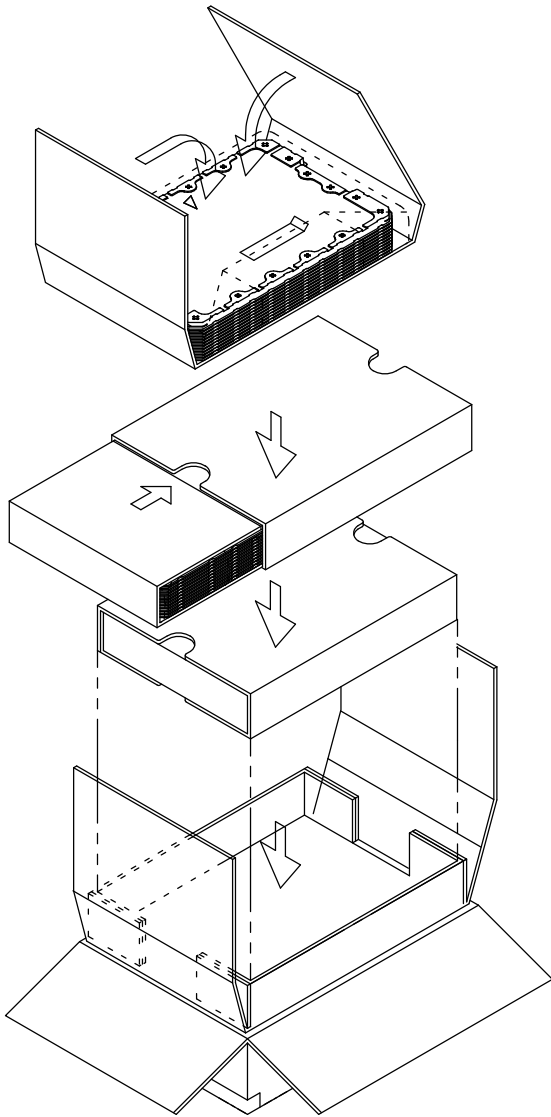
There should be no condensation at low temperature and high humidity.

Atmosphere: No harmful gas, such as acid or alkali, which causes severe corrosion on electronic parts and wiring, are to be detected.

Period: About 3 months

Opening the package: In order to prevent electrostatic damage to TFT modules, room humidity should be made over 50%RH and take effective measure such as use of earth when opening the package.

12-3) Packaging

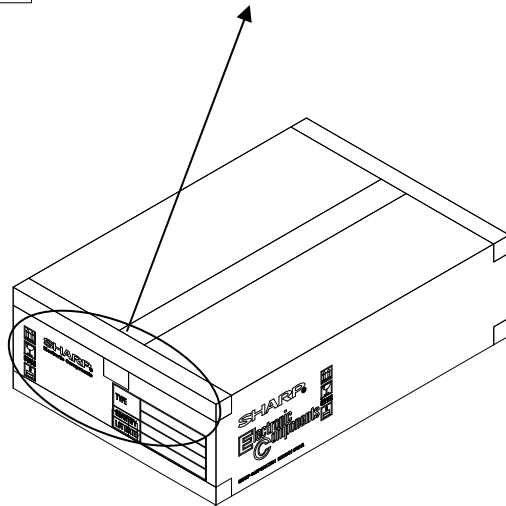


FRAGILE
取扱注意



SHARP®
Electronic Components

| | | |
|------------|--|----------------------------|
| TYPE | | 社内品番: (4S) LS013B7DH01 |
| QUANTITY | | LotNO. : (1T) 2010. xx. xx |
| LOT (DATE) | | Quantity: (Q) *** PCS |
| | | ユーザー品番 : _____ |
| | | シャープ物流用ラベルです。 () () |



Packageing size : 578mmx382mmx153mm

Fig. 12-2 Packaging Form

13. Reliability Test Conditions

13-1) Reliability test items

Table13-1

| | Test Item | Test condition | Remark |
|---|---|---|--------|
| 1 | High temperature storage test | Ta=80degrees Celsius 240h | |
| 2 | Low temperature storage test | Ta=-30degrees Celsius 240h | |
| 3 | High temperature and high humidity operating test | Tp=40degrees Celsius/95%RH 240h | |
| 4 | High temperature operating test | Tp=70degrees Celsius 240h | |
| 5 | Low temperature operating test | Tp=-20degrees Celsius 240h | |
| 6 | Shock test (Non operating test) | Ta=-30degrees Celsius (1h)~+80 degrees Celsius (1h) / 5 cycle | |
| 7 | Electro static discharge test | ±200V、200pF(0Ω) each terminai: 1 time | |

[Remark] Ta = Ambient temperature, Tp = Panel temperature

(Evaluation method)

In the standard condition, there shall be no practical problems that may affect the display function.

13-2) Panel surface stress spesification

Panel surface stress spesification has been defined as a parameter "Force of stress [N]" without no picture failer.

Load testing: Minimum 120[N]

Test condition)

Test structure : LCD panel with polarizer
 Press point : Center of LCD panel
 Press Jig : φ10mm column
 Press speed : 1mm/minute
 Support : fixed on stage
 Press time : 5 seconds after achivement of the press strength,then releess it.