

- ANTI-VANDAL SWITCHES
- DETECTOR SWITCHES
- DIP SWITCHES
- KEYLOCK SWITCHES
- NAVIGATION SWITCHES
- PUSHBUTTON SWITCHES
- ROCKER SWITCHES
- ROTARY SWITCHES
- SLIDE SWITCHES
- SNAP ACTION SWITCHES
- TACTILE SWITCHES
- TOGGLE SWITCHES
- CAP OPTIONS



## APPLICATIONS / MARKETS



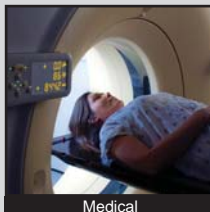
Portable Equipment



Gaming and Computer



Security Devices



Medical

# RoHS

## SPECIFICATIONS

**Electrical Rating:** 20mA, 24V (AC or DC)  
**Life Expectancy:** 1,000,000 Cycles  
**Contact Resistance:** 5Ω Max.  
**Insulation Resistance:** 100MΩ Min. at 500VDC  
**Dielectric Strength:** 500VAC for 1 Minute  
**Operating Temperature:** -25°C to 70°C

**Function:** SPST

## FEATURES & BENEFITS

- 1,000,000 cycle life expectancy
- The switch is triggered when tilted 45 degrees of the horizontal
- Environmentally friendly, contains no mercury

## PART NUMBER CONFIGURATOR

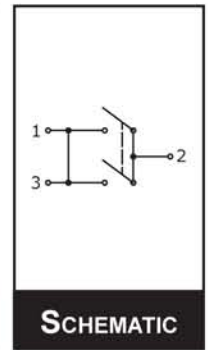
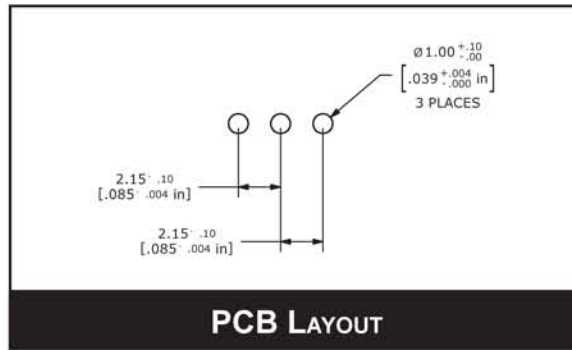
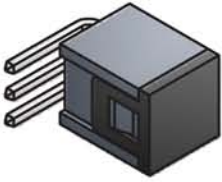
Series    Model    Contact Material



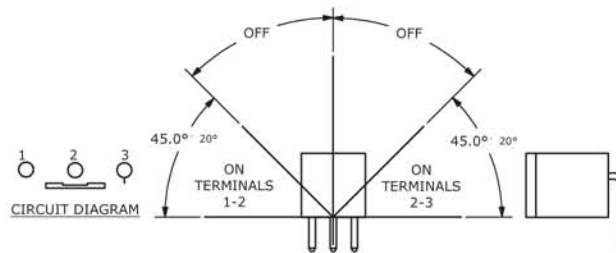
TM    1000    Q - Silver

*Specifications subject to change without notice*

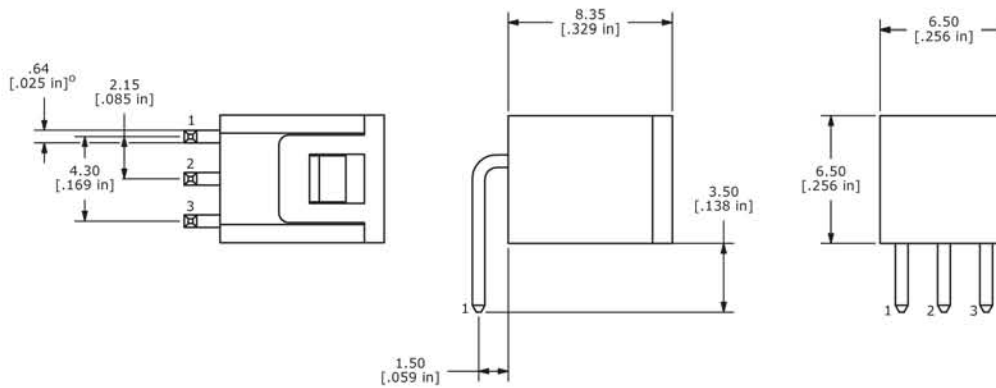




## ON - OFF ANGLES



## BODY DIMENSIONS



- ANTI-VANDAL SWITCHES
- DETECTOR SWITCHES**
- DIP SWITCHES
- KEYLOCK SWITCHES
- NAVIGATION SWITCHES
- PUSHBUTTON SWITCHES
- ROCKER SWITCHES
- ROTARY SWITCHES
- SLIDE SWITCHES
- SNAP ACTION SWITCHES
- TACTILE SWITCHES
- TOGGLE SWITCHES
- CAP OPTIONS

