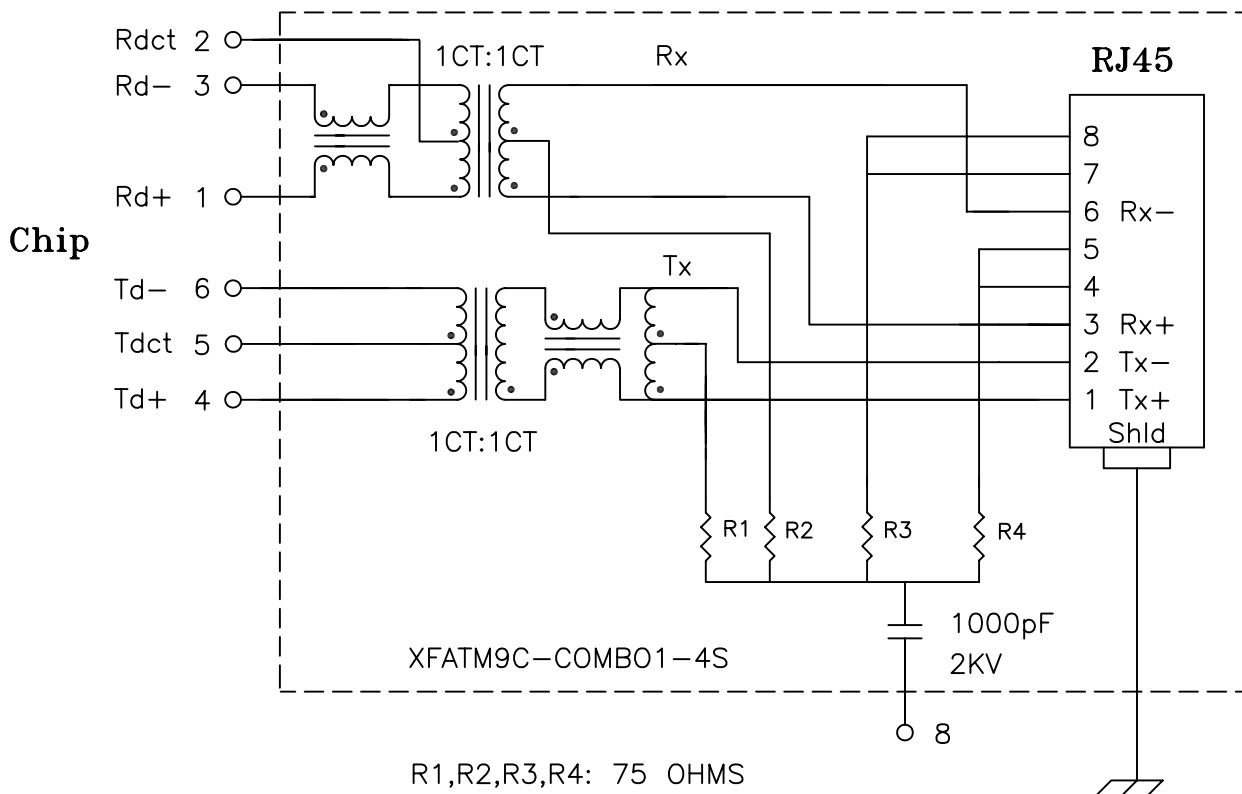


Schematic:



Electrical Specifications: @25°C

Isolation Voltage: 1500 Vrms (Input to Output)

Isolation Voltage: 500 Vrms (P1+2+3 to P4+5+6)

Turns Ratio: TX 1CT:1CT $\pm 3\%$ RX 1CT:1CT $\pm 3\%$

CABLE SIDE OCL: 350uH Minimum @100KHz 100mV 8mADC

Cw/w: 27pF Typical @100KHz 100mV

Insertion Loss (300KHz-100MHz): 1.0dB Max.

Return Loss: @30MHz 18dB Minimum

@80MHz 12dB Minimum

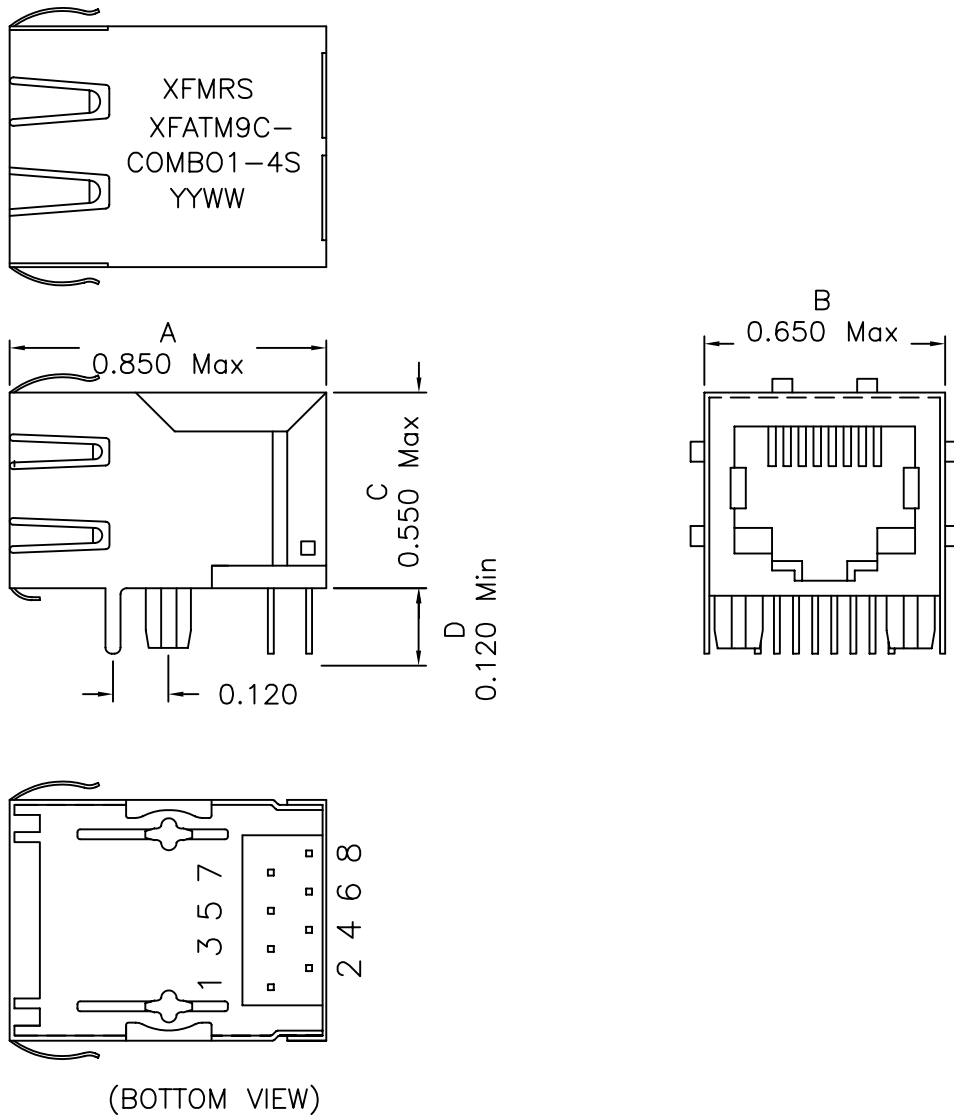
Notes:

1. Solderability: Leads shall meet MIL-STD-202, Method 208D for solderability.
2. Flammability: UL94V-0
3. ASTM oxygen index: > 28%
4. Operating Temperature Range: 0°C to +70°C

XFMRs Inc.		Title: SINGLE PORT COMBO	
UNLESS OTHERWISE SPECIFIED		P/N: XFATM9C-COMBO1-4S	REV. A
TOLERANCES:		DWN.	廖玉坤 Aug-14-02
.xxx ± 0.010		CHK.	李清儿 Aug-14-02
Dimensions in Inch		APP.	Isaiah M Aug-14-02
SHEET 1 OF 2			

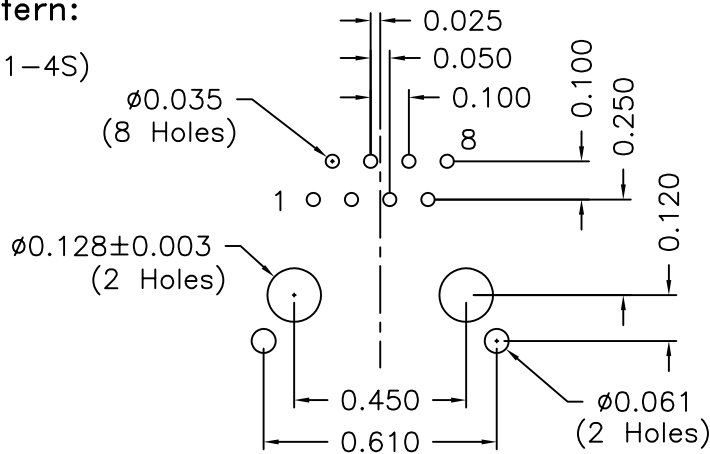
DOC. REV. A/1

Mechanical Dimensions:



Mounting Pattern:

(FOR COMBO1-4S)
(COMP SIDE)



<p>XFMR5 Inc.</p> <p>UNLESS OTHERWISE SPECIFIED TOLERANCES: .xxx ± 0.010 Dimensions in Inch</p> <p>DOC.REV A/1</p>	<p>Title: Mechanical Dimensions For COMBO1-4S Series</p>		
	<p>P/N: XFATM9C-COMBO1-4S REV. A</p>		
	<p>DWN.</p>	<p>李小锋</p>	<p>Aug-14-02</p>
	<p>CHK.</p>	<p>廖玉坤</p>	<p>Aug-14-02</p>
<p>SHEET 2 OF 2</p>	<p>APP.</p>	<p>Isaiah M</p>	<p>Aug-14-02</p>