

MC 1,5/ 5-G-3,5 THT

Order No.: 1937525

The figure shows a 10-position version of the product

<http://eshop.phoenixcontact.de/phoenix/treeViewClick.do?UID=1937525>Header, Nominal current: 8 A, Nom. voltage: 160 V, Pitch: 3.5 mm,
Number of positions: 5, Color: black, Assembly: SMD/THT/THR

Commercial data

| | |
|--------------------------|--------------------|
| EAN | 4017918895143 |
| Pack | 50 pcs. |
| Customs tariff | 85366990 |
| Weight/Piece | 0.00294 KG |
| Catalog page information | Page 160 (CC-2009) |

Product notes

WEEE/RoHS-compliant since:
01/01/2003

<http://www.download.phoenixcontact.com>
Please note that the data given here has been taken from the online catalog. For comprehensive information and data, please refer to the user documentation. The General Terms and Conditions of Use apply to Internet downloads.

Technical data

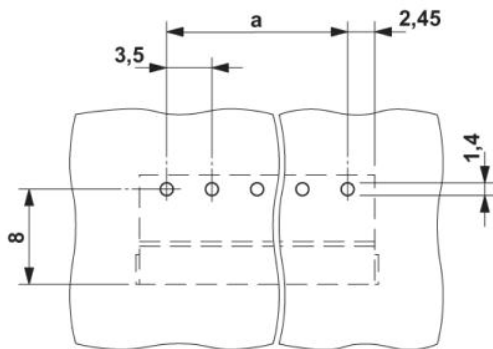
Dimensions / positions

| | |
|---------------------|--------------|
| Length | 9.2 mm |
| Pitch | 3.5 mm |
| Dimension a | 14 mm |
| Number of positions | 5 |
| Pin dimensions | 0,8 x 0,8 mm |

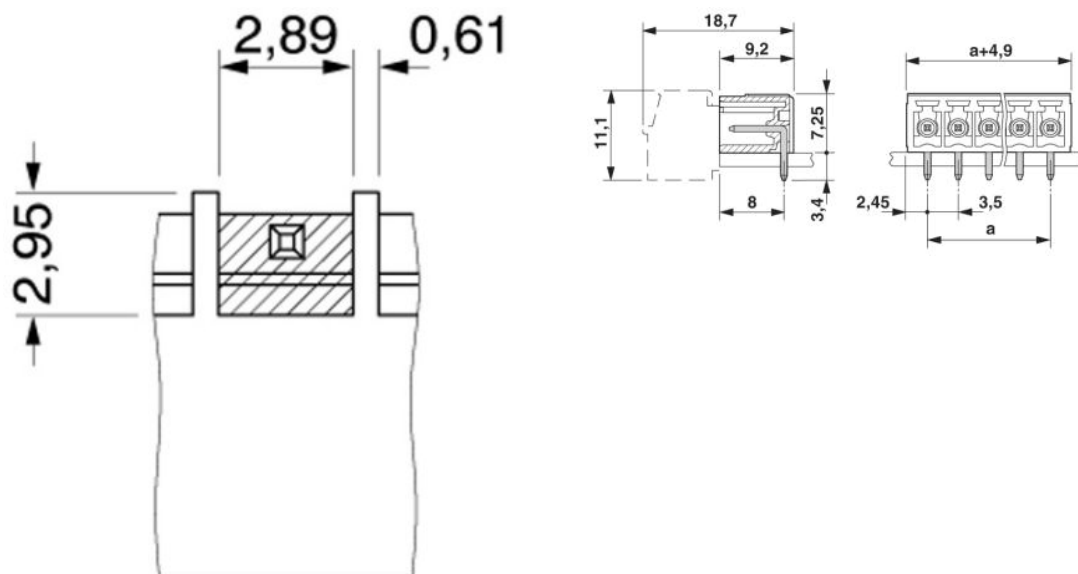
| | |
|------------------------------------|--------------------|
| Hole diameter | 1.4 mm |
| Technical data | |
| Insulating material group | IIIa |
| Rated surge voltage (III/3) | 2.5 kV |
| Rated surge voltage (III/2) | 2.5 kV |
| Rated surge voltage (II/2) | 2.5 kV |
| Rated voltage (III/2) | 160 V |
| Rated voltage (II/2) | 320 V |
| Connection in acc. with standard | EN-VDE |
| Nominal current I_N | 8 A |
| Nominal voltage U_N | 160 V |
| Maximum load current | 8 A (per position) |
| Insulating material | PA-GF |
| Inflammability class acc. to UL 94 | V0 |

Drawings

Drilling diagram



Dimensioned drawing



Bottom view, free space for solder paste, 0.3 mm deep

Address

PHOENIX CONTACT GmbH & Co. KG
Flachsmarktstr. 8
32825 Blomberg, Germany
Phone +49 5235 3 00
Fax +49 5235 3 41200
<http://www.phoenixcontact.com>



© 2009 Phoenix Contact
Technical modifications reserved;