

Fig. 1

Fig. 2

- Series 353, 362, 363, 373, 382, 383 single row Header Strips come with various contacts (pin, slotted head, turret and solder cup) with wrapost tails. (M-M# 5301, 1106-2, 1106-3, 0730-3 & 8301-2, 8301-3 see pages 184 & 185 for details).



### Ordering Information

Fig. 1

**Series 353...001 Pin / 3 Level Wrapost**

353-XX-1\_\_-00-001000

Specify # of pins → 01-64

Fig. 2

**Series 362...001 Slotted Head / 2 Level Wrapost**

362-XX-1\_\_-00-001000

Specify # of pins → 01-64

Fig. 3

**Series 363...001 Slotted Head / 3 Level Wrapost**

363-XX-1\_\_-00-001000

Specify # of pins → 01-64

Fig. 4

**Series 373...001 Turret / 3 Level Wrapost**

373-XX-1\_\_-00-001000

Specify # of pins → 01-64

Fig. 5

**Series 382...001 Solder Cup / 2 Level Wrapost**

382-XX-1\_\_-00-001000

Specify # of pins → 01-64

Fig. 6

**Series 383...001 Solder Cup / 3 Level Wrapost**

383-XX-1\_\_-00-001000

Specify # of pins → 01-64

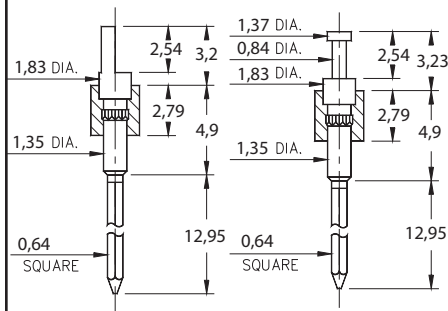


Fig. 3

Fig. 4

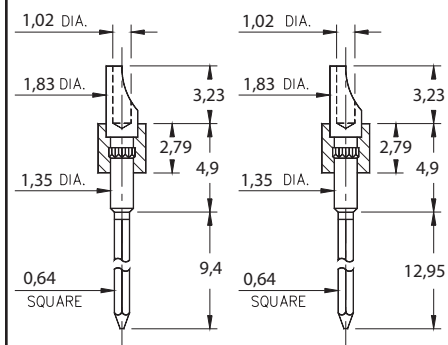


Fig. 5

Fig. 6

**XX=Plating Code  
See Below**

For RoHS compliance, select  $\diamond$  plating code.  
For the gold option (XX=10) also change part  
number from 3XX-XX-1XX-00-001000  
to 3XX-10-1XX-00-001100



SPECIFY PLATING CODE XX=

10  $\diamond$

90

40  $\diamond$

Pin Plating

0,25 $\mu$ m Au

5,08 $\mu$ m Sn/Pb

5,08 $\mu$ m Sn