

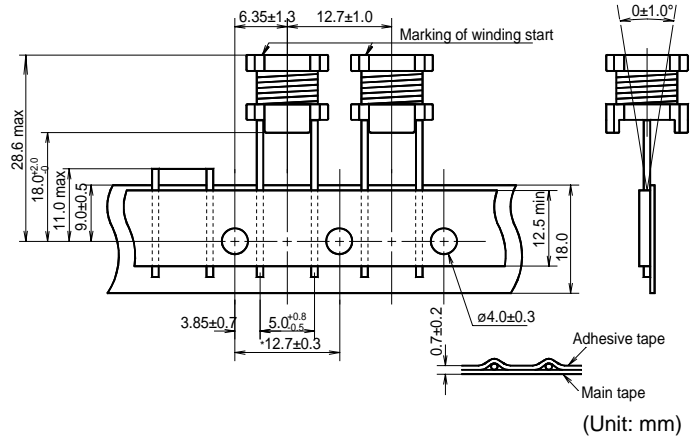
### TYPE 8RYTL

**Frequency Range:** 1~200kHz

**Inductance Range:** 1.2~1000μH

#### Features

- Ideal as a choke coil for noise filtering and DC/DC converter application.
- Tape and reel for automated assembly.



### Selection Guide for Standard Coils

#### TYPE 8RYTL

TOKO Part Number	Inductance L (μH)	DC Resistance (Ω) max.	Rated DC Current (A) max.	Self-resonant Frequency (MHz) min.
A7019LYF-1R2M=R	1.2 ± 20%	0.020	3.3	150
A7019LYF-1R8M=R	1.8 ± 20%	0.022	2.7	105
A7019LYF-2R2M=R	2.2 ± 20%	0.024	2.4	65
A7019LYF-3R0M=R	3.0 ± 20%	0.028	2.1	35
A7019LYF-4R7M=R	4.7 ± 20%	0.035	2.0	31
A7019LYF-6R8M=R	6.8 ± 20%	0.04	1.7	24
A7019LYF-100K=R	10 ± 10%	0.07	1.4	21
A7019LYF-120K=R	12 ± 10%	0.08	1.1	17
A7019LYF-150K=R	15 ± 10%	0.09	1.0	16
A7019LYF-180K=R	18 ± 10%	0.10	0.96	15
A7019LYF-220K=R	22 ± 10%	0.11	0.90	12
A7019LYF-270K=R	27 ± 10%	0.13	0.82	11
A7019LYF-330K=R	33 ± 10%	0.15	0.78	10
A7019LYF-390K=R	39 ± 10%	0.17	0.76	9.5
A7019LYF-470K=R	47 ± 10%	0.25	0.70	8.0
A7019LYF-560K=R	56 ± 10%	0.29	0.60	7.5
A7019LYF-680K=R	68 ± 10%	0.32	0.54	7.0
A7019LYF-820K=R	82 ± 10%	0.37	0.52	6.4
A7019LYF-101K=R	100 ± 10%	0.43	0.51	6.1
A7019LYF-121K=R	120 ± 10%	0.49	0.47	5.4
A7019LYF-151K=R	150 ± 10%	0.66	0.39	4.6
A7019LYF-181K=R	180 ± 10%	0.76	0.37	4.4
A7019LYF-221K=R	220 ± 10%	1.0	0.31	4.2
A7019LYF-271K=R	270 ± 10%	1.2	0.29	3.5
A7019LYF-331K=R	330 ± 10%	1.5	0.25	2.9
A7019LYF-391K=R	390 ± 10%	1.7	0.23	2.8
A7019LYF-471K=R	470 ± 10%	1.9	0.20	2.6
A7019LYF-561K=R	560 ± 10%	2.6	0.18	2.4
A7019LYF-681K=R	680 ± 10%	3.0	0.17	2.1
A7019LYF-821K=R	820 ± 10%	3.2	0.15	1.8
A7019LYF-102K=R	1000 ± 10%	3.5	0.14	1.6

(1) Inductance is measured at f=1kHz, Vosc=1V on LCR meter HP4284A or equivalent.

(2) The rated DC current is that which the inductance value decreases 10% by the excitation of DC current.

(3) Self-resonant frequency is measured with Network Analyzer 3577A(HP), MS560J(Anritsu) or equivalent.

(4) DC resistance is measured with Digital Multimeter TR6871(Advantest) or equivalent.