

CERAMIC SURFACE MOUNT LOW PROFILE MICROPROCESSOR CRYSTAL

ABMM3

Pb in glass
(exempt per RoHS 2002/95/EC Annex (5))

RoHS
Compliant



6.0 x 3.5 x 1.3 mm

FEATURES:

- Superior heat-resistant glass sealing
- Low in height - for thin equipment
- IR reflow capable
- 4 pins package with ceramic lid

APPLICATIONS:

- Computers, Modems, Microprocessors
- Communication, Test equipment
- PCMCIA
- PDA

STANDARD SPECIFICATIONS:

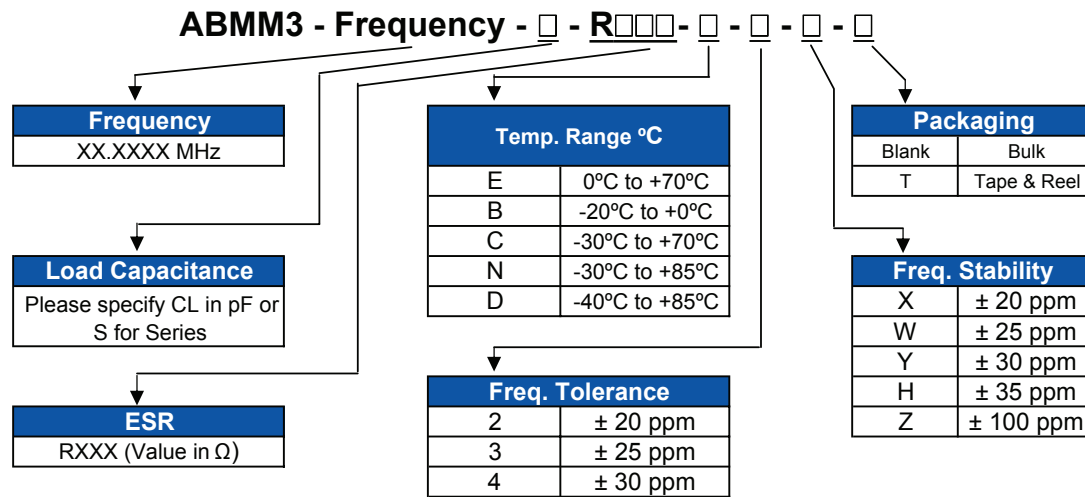
PARAMETERS	
ABRACON P/N	ABMM3 Series
Frequency Range	8.00MHz to 50.00MHz (Fundamental)
Operating Temperature	- 10°C to + 60°C (see options)
Storage Temperature	- 40°C to + 90°C
Frequency Tolerance at 25°C	± 50 ppm max. (see options)
Frequency Stability over the Operating Temp. (Ref to +25°C)	± 50 ppm max. (see options)
Equivalent Series Resistance	See Table 1
Shunt Capacitance C ₀	7pF max.
Load Capacitance C _L	18pF (see options)
Drive Level	100µW max.
Aging at 25°C First Year	± 5ppm max.
Insulation Resistance	500Mohms min at 100Vdc ± 15V

TABLE 1

Frequency (MHz)	ESR (Ω)
8.000 - 9.999 (Fund)	80
10.000 - 15.99 (Fund)	60
16.000 - 50.000 (Fund)	50

OPTIONS & PART IDENTIFICATION:

(Left blank if standard)



CERAMIC SURFACE MOUNT LOW PROFILE MICROPROCESSOR CRYSTAL

ABMM3

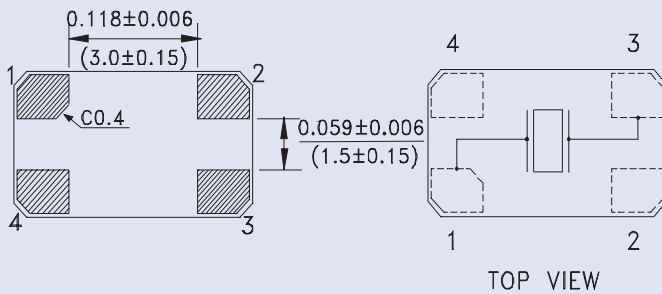
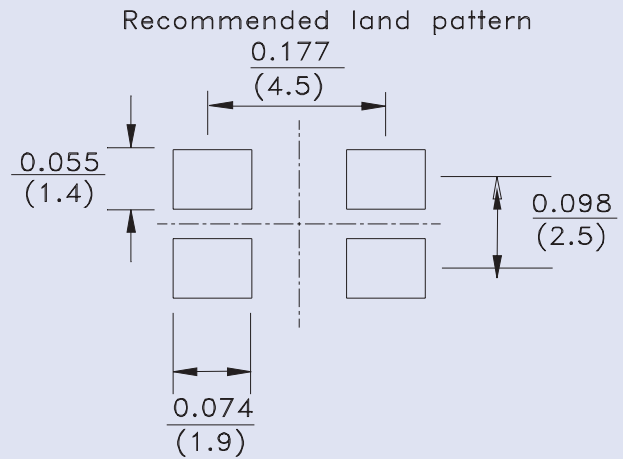
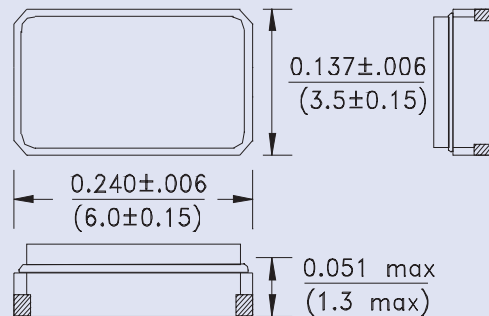
Pb in glass
(exempt per RoHS 2002/95/EC Annex (5))

RoHS
Compliant



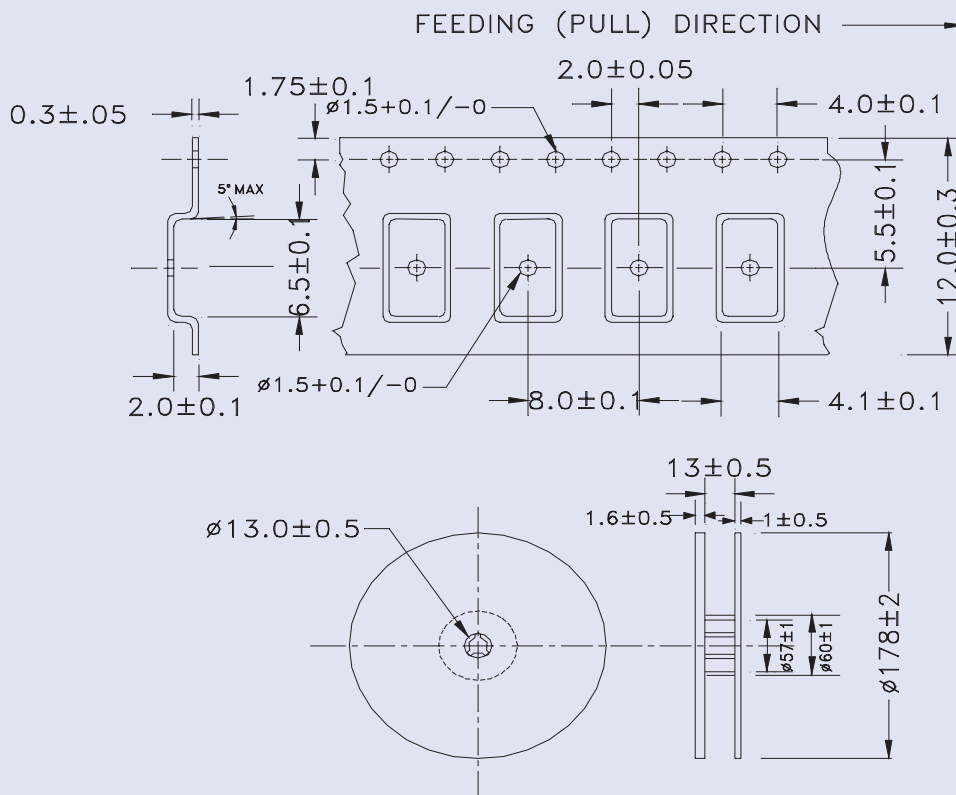
6.0 x 3.5 x 1.3 mm

OUTLINE DIMENSIONS:



Dimensions: Inch(mm)

TAPE & REEL: (1,000pcs/reel)



Dimensions: mm

ABRACON IS
ISO 9001 / QS 9000
CERTIFIED



Visit www.abracon.com for Terms & Conditions of Sale **Revised: 10.21.08**
 30332 Esperanza, Rancho Santa Margarita, California 92688
 tel 949-546-8000 | fax 949-546-8001 | www.abracon.com