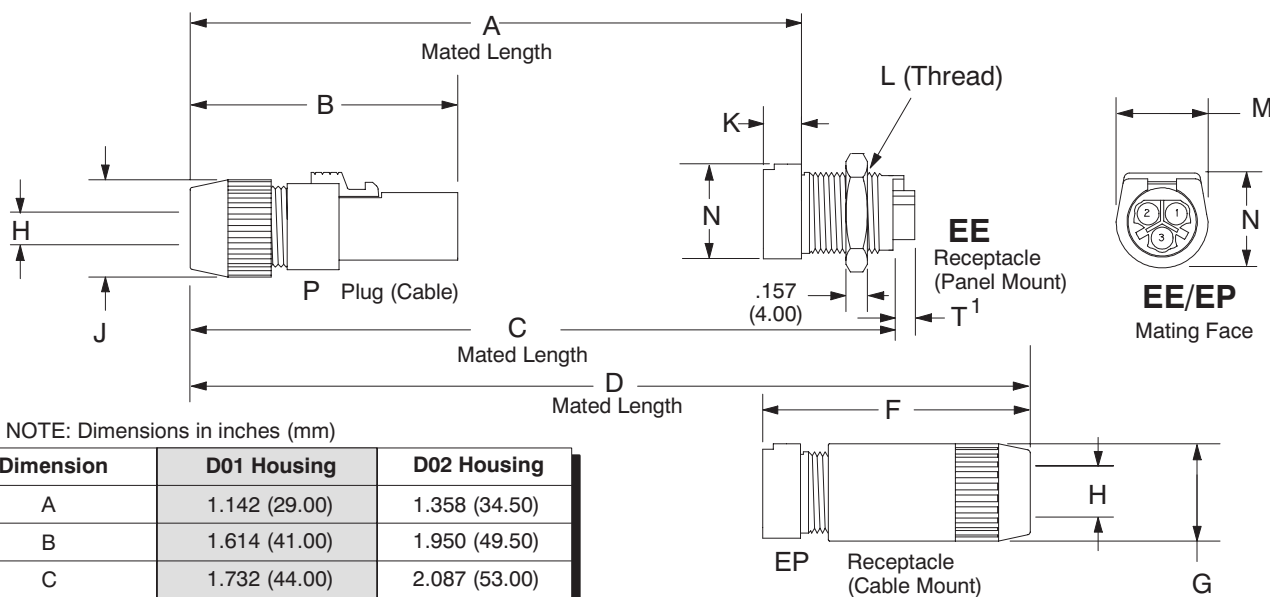


**CIRCULAR PLASTIC CONNECTORS
3, 4, 7, 9, 12 & 25 CONTACT VERSIONS**



- 3, 4, 7, 9, 12 & 25 position models.
- 1 to 8 amps per contact.
- recognized components File No. 102195.
- Each connector half accepts pins or sockets.
- High impact plastic body.
- Quick disconnect push button release.
- Alignment and keying provided by housing.
- Crimp, solder cup, and pc contacts.
- Color coding available.

CONNECTOR DIMENSIONS



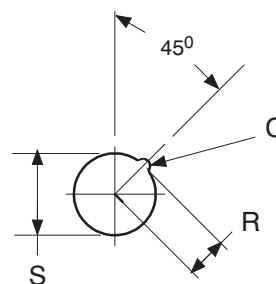
NOTE: Dimensions in inches (mm)

Dimension	D01 Housing	D02 Housing
A	1.142 (29.00)	1.358 (34.50)
B	1.614 (41.00)	1.950 (49.50)
C	1.732 (44.00)	2.087 (53.00)
D	2.4 (61.00)	2.953 (75.00)
F	1.5 (38.00)	1.772 (45.00)
G Dia.	.512 (13.00)	.709 (18.00)
H Dia.	.118 (3.00) Min. .216 (5.50) Max.	.197 (5.00) Min. .315 (8.00) Max.
J Dia.	.472 (12.00)	.709 (18.00)
K	.161 (4.10)	.278 (7.00)
L	M11 X 1.00 Thd.	M15 X 1.00 Thd.
M	.512 (13.00)	.669 (17.00)
N	.512 (13.00)	.689 (17.50)
Q Dia.	.126 (3.20)	.100 (2.54)
R	.220 (5.60)	.295 (7.50)
S Dia.	.441 (11.20)	.598 (15.20)
T ¹	.157 (4.00)	.157 (4.00)

Notes:

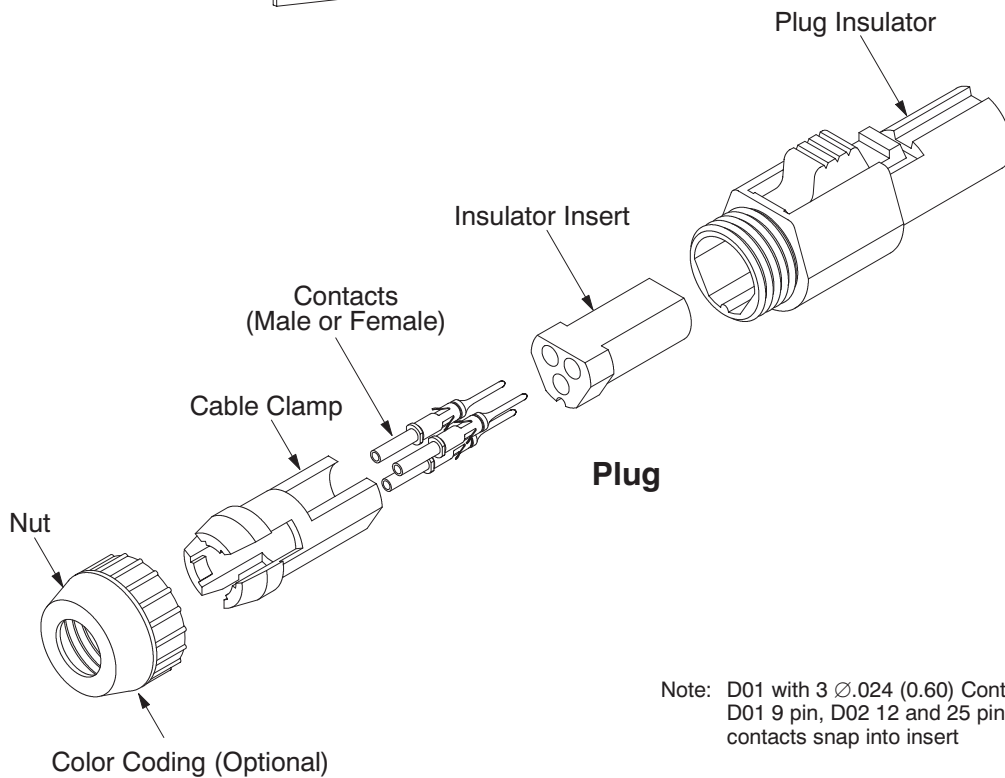
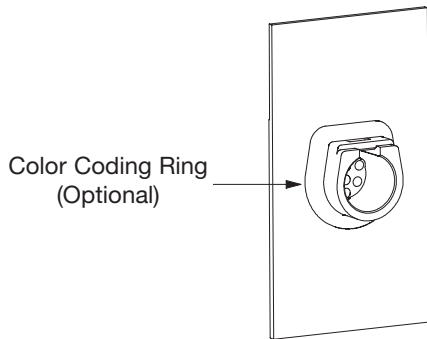
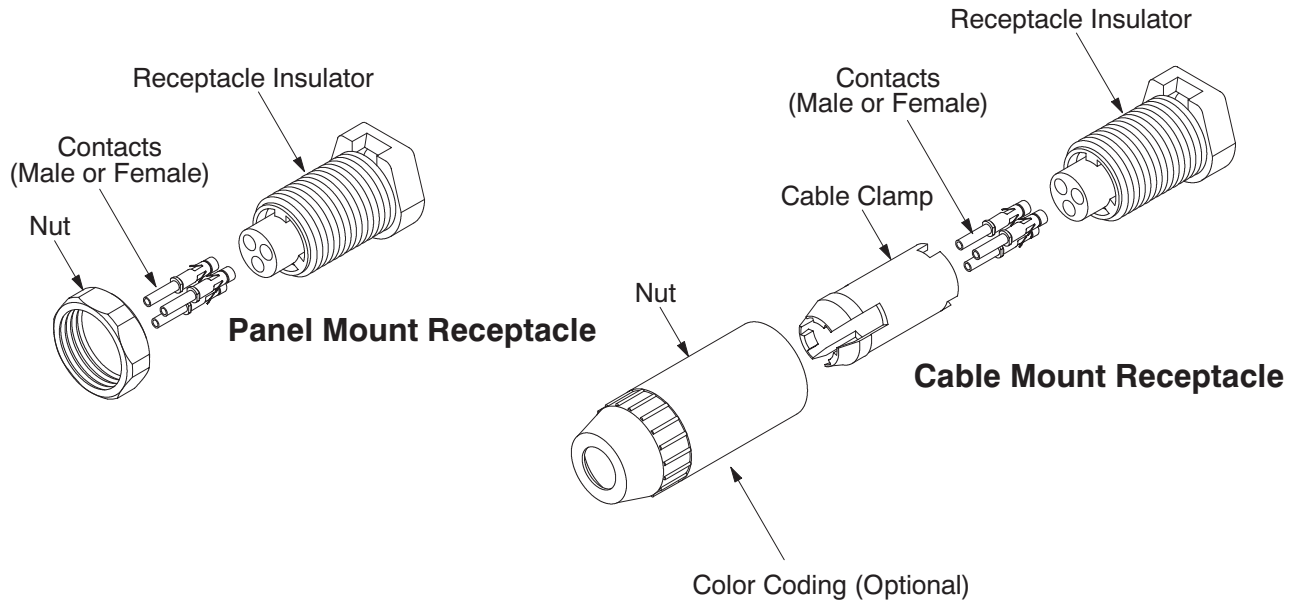
- 1) D02EE315 Dim. T is 0.256 (6.50)
D02EE125 Dim. T is 0.000 (0.00)
D02EE2504 Dim. T is 0.000 (0.00)
- 2) Recommended tightening torque for panel mount receptacle (.452-.678 N•M) for both D01 & D02.

MOUNTING DIMENSIONS



HOLE PUNCHES

Part Number	Series	Maximum Recommended Panel in Steel	Maximum Recommended Panel in Alum.
T1903	D01	0.048 (1.25)	0.075 (1.90)
T1904	D02	0.062 (1.60)	0.094 (2.40)



Note: D01 with 3 \varnothing .024 (0.60) Contacts Shown.
D01 9 pin, D02 12 and 25 pin have no clip,
contacts snap into insert

D01 GENERAL SPECIFICATIONS

	3 Pin	4 Pin	9 Pin
Contact Diameter	.024 (0.60)	.024 (0.60)	.016 (0.40)
Current Rating (amps)	4	4	1
Contact Resistance (milliohms)	<5	<5	<8
Contact Extraction Force Each (oz.)	.5 to 2	.5 to 2	.6 to 1.6
Contact Life Cycles	100,000	100,000	100,000
Breakdown Voltage Between Contacts	>2250V	>2250V	>1000V
Dielectric Withstanding Voltage	1650V	1650V	750V
Contact Material	BeCu wires and brass body (socket)		
Plating	Brass (pin) Gold over Nickel		
Insulation Resistance	> 10 ³ megohms @500 VDC		
Temperature Rating	- 40°C to + 85°C		—
Polycarbonate			
Polyetherimide			-40°C to +125°C

ACCESSORIES

	AFM8 or (M22520/2-01)	AFM8 or (M22520/2-01)	AFM8 or (M22520/2-01)
Crimp Tool			
Positioner	K547	K547	T1914
Removal Tool	S/DEM1.0060	S/DEM1.0060	—
Insertion Tool	T1866	T1866	T1916




D02 GENERAL SPECIFICATIONS

	3 Pin	7 Pin	9 Pin	12 Pin	25 Pin
Contact Diameter	.059 (1.50)	.024 (0.60)	.024 (0.60)	.018 (0.50)	.016 (0.40)
Current Rating (amps)	8	4	4	2.5	1
Contact Resistance (milliohms)	<2	<5	<5	<8	<8
Extraction Force (oz.)	1.8 to 5.4	.5 to 2	.5 to 2	.3 to 1.6	.3 to 1.6
Contact Life Cycles	100,000	100,000	100,000	100,000	100,000
Breakdown Voltage Between Contacts	>2250	>2000	>1560	>1000	>1000
Dielectric Withstanding Voltage	1650	1500	1150	750	750
Contact Material	BeCu wires and brass body (socket)				
Plating	Brass (pin) Gold over nickel				
Insulation Resistance	> 10 ³ megohms @500 VDC				
Temperature Rating	- 40°C to + 85°C				—
Polycarbonate					
Polyetherimide					- 40°C to + 125°C

ACCESSORIES

	AF8	AFM8 or M22520/2-01	AFM8 or M22520/2-01	AFM8 or M22520/2-01	AFM8 or M22520/2-01
Crimp Tool					
Positioner	TP688	K623	K623	T870	T1914
Removal Tool	S/DEM5.0150	S/DEM1.0060	S/DEM1.0060	—	—
Insertion Tool	T1888	T1866	T1866	T1271	T1916

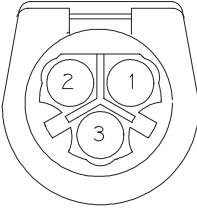


ORDERING INFORMATION

<p>D01 3 Pin</p>  <p>Receptacle seen from mating side</p>	<p>Housing</p> <p>Receptacle Panel Mount Receptacle Cable Plug</p>	<p>Part Numbers</p> <p>D01EEB306NT D01EPB306NT D01PB306NT</p>
	<p>Contacts</p> <p>Crimp Socket - 22-26 AWG Crimp Socket - 18-20 AWG Solder Cup Socket - up to 22 AWG Crimp Pin - 22-26 AWG Crimp Pin - 18-20 AWG Solder Cup Pin - up to 22 AWG</p>	<p>Part Numbers*</p> <p>YSK006-011AH YSK006-089AH YSK006-010AH YPN006-021H or G YPN006-158H YPN006-020H or G</p>
	<p>Tools</p> <p>Crimp Tool Positioner Removal Tool Insertion Tool</p>	<p>AFM8 or M22520/2-01 K547 S/DEM1.0060 T1866</p>
<p>D01 4 Pin</p>  <p>Receptacle seen from mating side</p>	<p>Housing</p> <p>Receptacle Panel Mount Receptacle Cable Plug</p>	<p>Part Numbers</p> <p>D01EEB406NT D01EPB406NT D01PB406NT</p>
	<p>Contacts</p> <p>Crimp Socket - 22-26 AWG Solder Cup Socket - up to 22 AWG Crimp Pin - 22-26 AWG Solder Cup Pin - up to 22 AWG</p>	<p>Part Numbers*</p> <p>YSK006-011AH YSK006-089AH YSK006-010AH YPN006-021H or G YPN006-158H YPN006-020H or G</p>
	<p>Tools</p> <p>Crimp Tool Positioner Removal Tool Insertion Tool</p>	<p>AFM8 or M22520/2-01 K547 S/DEM1.0060 T1866</p>
<p>D01 9 Pin</p>  <p>Receptacle seen from mating side</p>	<p>Housing</p> <p>Receptacle Panel Mount Receptacle Cable Plug</p>	<p>Part Numbers</p> <p>D01EEB904NUT D01EPB904NUT D01PB904NUT</p>
	<p>Contacts</p> <p>Crimp Socket - 26-28 AWG Solder Cup Socket - up to 26 AWG Crimp Pin - 26-28 AWG Solder Cup Pin - up to 26 AWG</p>	<p>Part Numbers*</p> <p>YSK004-002AH YSK004-003AH YPN004-001H or G YPN004-002H or G</p>
	<p>Tools</p> <p>Crimp Tool Positioner Insertion Tool</p>	<p>AFM8 or M22520/2-01 T1914 T1916</p>

*Plating Reference:

Male Pins: G = 10 µin gold (min) over Ni
H = 50 µin gold (min) over Ni
Female Sockets: AH = 50 µin gold (min) over Ni on mating surface, gold flash over Ni on termination


ORDERING INFORMATION

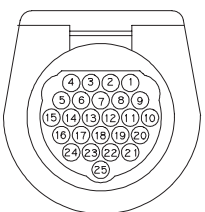
D02 3 Pin  Receptacle seen from mating side	Housing Receptacle Panel Mount Receptacle Cable Plug	Part Numbers D02EEB315NT D02EPB315NT D02PB315NT
	Contacts Crimp Socket - 18 & 20 AWG Solder Cup Socket - up to 16 AWG Crimp Pin - 18 & 20 AWG Solder Cup Pin - up to 16 AWG	Part Numbers* YSK015-011AH YSK015-012AH YPN015-005H or G YPN015-006H or G
	Tools Crimp Tool Positioner Removal Tool Insertion Tool	AF8 TP688 S/DEM5.0150 T1888
D02 7 Pin  Receptacle seen from mating side	Housing Receptacle Panel Mount Receptacle Cable Plug	Part Numbers D02EEB706NT D02EPB706NT D02PB706NT
	Contacts Crimp Socket - 22-26 AWG Solder Cup Socket - up to 22 AWG Crimp Pin - 22-26 AWG Solder Cup Pin - up to 22 AWG	Part Numbers* YSK006-015AH YSK006-016AH YPN006-025H or G YPN006-026H or G
	Tools Crimp Tool Positioner Removal Tool Insertion Tool	AFM8 or M22520/2-01 K623 S/DEM1.0060 T1866
D02 9 Pin  Receptacle seen from mating side	Housing Receptacle Panel Mount Receptacle Cable Plug	Part Numbers D02EEB906NT D02EPB906NT D02PB906NT
	Contacts Crimp Socket - 22-26 AWG Solder Cup Socket - up to 22 AWG Crimp Pin - 22-26 AWG Solder Cup Pin - up to 22 AWG	Part Numbers* YSK006-015AH YSK006-016AH YPN006-025H or G YPN006-026H or G
	Tools Crimp Tool Positioner Removal Tool Insertion Tool	AFM8 or M22520/2-01 K623 S/DEM1.0060 T1866

*Plating Reference:

Male Pins:	G	= 10 μ in gold (min) over Ni
	H	= 50 μ in gold (min) over Ni
Female Sockets:	AH	= 50 μ in gold (min) over Ni on mating surface, gold flash over Ni on termination

ORDERING INFORMATION

<p>D02 12 Pin</p>  <p>Receptacle seen from mating side</p>	<p>Housing</p> <p>Receptacle Panel Mount Receptacle Cable Plug</p>	<p>Part Numbers</p> <p>D02EEB125NT D02EPB125NT D02PB125NT</p>
	<p>Contacts</p> <p>Crimp Socket - AWG 22-26 Solder Cup Socket - AWG up to 22 Crimp Pin - AWG 22-26 Solder Cup Pin - AWG up to 22</p>	<p>Part Numbers*</p> <p>YSK005-036AH YSK005-037AH YPN005-049H or G YPN005-050H or G</p>
	<p>Tools</p> <p>Crimp Tool Positioner Insertion Tool</p>	<p>AFM8 or M22520/2-01* T870 T1271</p>

<p>D02 25 Pin</p>  <p>Receptacle seen from mating side</p>	<p>Housing</p> <p>Receptacle Panel Mount Receptacle Cable Plug</p>	<p>Part Numbers</p> <p>D02EEB2504NUT D02EPB2504NUT D02PB2504NUT</p>
	<p>Contacts</p> <p>Crimp Socket - 26-28 AWG Solder Cup Socket - up to 26 AWG Crimp Pin - 26-28 AWG Solder Cup Pin - up to 26 AWG</p>	<p>Part Numbers*</p> <p>YSK004-002AH YSK004-003AH YPN004-001H or G YPN004-002H or G</p>
	<p>Tools</p> <p>Crimp Tool Positioner Insertion Tool</p>	<p>AFM8 or M22520/2-01 T1914 T1916</p>


*Plating Reference:

Male Pins: G = 10 µin gold (min) over Ni

H = 50 µin gold (min) over Ni

Female Sockets: AH = 50 µin gold (min) over Ni on mating surface, gold flash over Ni on termination

ORDERING INFORMATION

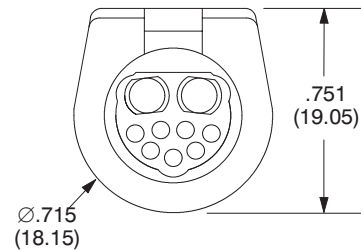
D02 Power and Signal  Receptacle seen from mating side	Housing Receptacle Panel Mount Plug	Part Numbers D02EEB-0043 D02PB-0044																	
	Contacts Power Socket - 16-20 AWG Power Pin - 16-20 AWG Signal Socket - 22-26 AWG Signal Pin - 22-26 AWG	Part Numbers* YSK015-053AH YPN015-038H or G YSK005-036AH YPN005-049H or G																	
	Tools																		
	<table border="0"> <tr> <td></td> <td style="text-align: center;"><i>Power</i></td> <td style="text-align: center;"><i>Signal</i></td> </tr> <tr> <td>Crimp Tool</td> <td style="text-align: center;">AF8</td> <td style="text-align: center;">AFM8</td> </tr> <tr> <td>Positioner (Pin)</td> <td style="text-align: center;">T1164</td> <td style="text-align: center;">T870</td> </tr> <tr> <td>Positioner (Socket)</td> <td style="text-align: center;">TP688</td> <td style="text-align: center;">T870</td> </tr> <tr> <td>Removal Tool</td> <td style="text-align: center;">T1124</td> <td style="text-align: center;">—</td> </tr> <tr> <td>Insertion Tool</td> <td style="text-align: center;">—</td> <td style="text-align: center;">T1215</td> </tr> </table>		<i>Power</i>	<i>Signal</i>	Crimp Tool	AF8	AFM8	Positioner (Pin)	T1164	T870	Positioner (Socket)	TP688	T870	Removal Tool	T1124	—	Insertion Tool	—	T1215
	<i>Power</i>	<i>Signal</i>																	
Crimp Tool	AF8	AFM8																	
Positioner (Pin)	T1164	T870																	
Positioner (Socket)	TP688	T870																	
Removal Tool	T1124	—																	
Insertion Tool	—	T1215																	

COMBINATION CONNECTORS POWER & SIGNAL

- 2 8-Amp and Up to 7 2.5-Amp Signal Positions
- Crimp Contacts

General Specifications


Contacts	Power	Signal
Number	2	Up to 7
Diameter	.059 (1.5)	.018 (0.5)
Current Rating (amps)	8	2.5
Contact Resistance	<2.0 milliohms	<8.0 milliohms
Extraction Force	1.8 to 5.4 oz.	.0.3 to 1.6 oz.
Contact Material	Brass	
Pins	BeCu Wires and Brass body	
Receptacle	Polycarbonate	
Plug	Polycarbonate	
Flamability	UL94V0	
Temperature Rating	-40°C to + 85°C	
Insulation Resistance	>10 Mohm @ 500 Vdc	


Accessories

	Power	Signal
Crimp Tool	AF8	AFM8
Positioner (Pin)	T1165	T870
Positioner (Socket)	TP688	T870
Removal Tool	T1124	-
Insertion Tool	-	T1215

B = Black Polycarbonate Available in Power & Signal

*Plating Reference:
 Male Pins: G = 10 µin gold (min) over Ni
 H = 50 µin gold (min) over Ni
 Female Sockets: AH = 50 µin gold (min) over Ni on mating surface, gold flash over Ni on termination

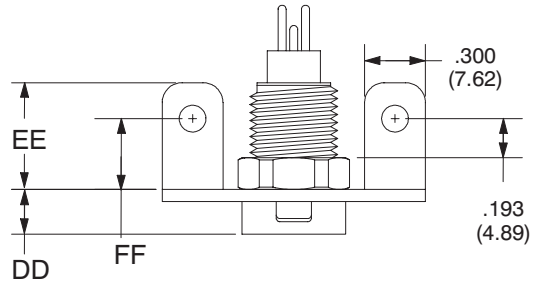
<p>D02 Coax or Power & Signal</p>  <p>Receptacle seen from mating side</p>	Housing		Part Numbers*	
	Receptacle Panel Mount Receptacle Cable Plug		D02EEH905 D02EPH905 D02PH905	
	Contacts		Part Numbers**	
	Coax Crimp Socket - RRG 316, RG316DB Coax Solder Cup Socket - RG405, T-Flex 405 Coax Crimp Pin - RG316, RG316DB Coax Solder Cup Pin - RG405 - T-Flex 405 Power Crimp Socket - 12 AWG Power Crimp Pin - 12 AWG Signal Crimp Socket - 22-26 AWG Signal Solder Cup Socket - 22-26 AWG Signal Crimp Pin - 22-26 AWG Signal Solder Cup Pin - 22-26 AWG		YCX0315-002AH YCX0315-019AH YCX0315-001AH YCX0315-004H, YCX0315-018AH YCX0315-003H YSK025-031AH YPN025-024H YSK005-036AH YSK005-037AH YPN005-049H or G YPN005-050H or G	
	Tools			
	<i>Coax</i>	<i>Power</i>	<i>Signal</i>	
Crimp Tool	HX3 (Outer) AFM8 (Inner)	M309	AFM8	
Crimp Die Set	T1958 (Outer) or T2019 (Outer for RG316DB)	—	—	
Positioner	T1957 (Inner)	T1981	T870	
Removal Tool	T1982	T1982	—	
Insertion Tool	—	—	T1215	

*H = Black Polyetherimide (High Temperature) Available in Coax or Power & Signal

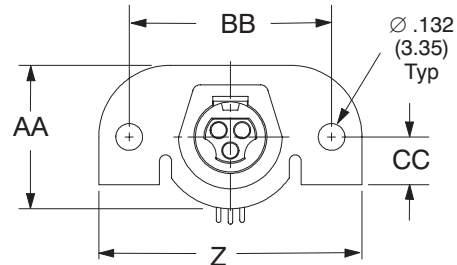
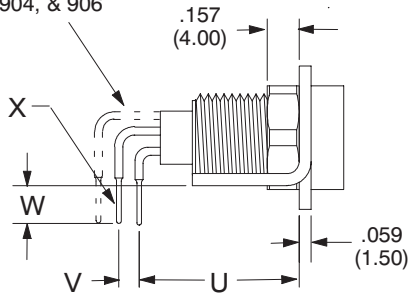
**Plating Reference:

Male Pins: G = 10 μin gold (min) over Ni
H = 50 μin gold (min) over Ni
Female Sockets: AH = 50 μin gold (min) over Ni on mating surface, gold flash over Ni on termination

PRINTED CIRCUIT BOARD RECEPTACLES (Right Angle)
(D01 306, D01 406, D01 904, D02 315, D02 706, D02 906 D02 125 & D02 2504)



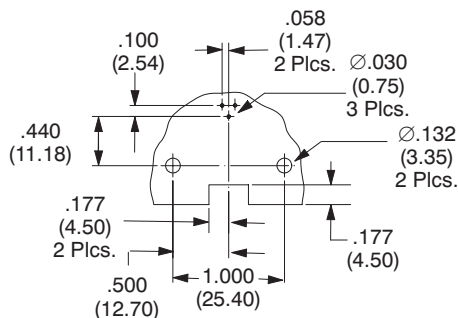
2 Rows: 306, 315, & 406
 3 Rows: 706, 904, & 906
 4 Rows: 125
 6 Rows: 2504



NOTE: Dimensions in inches (mm)

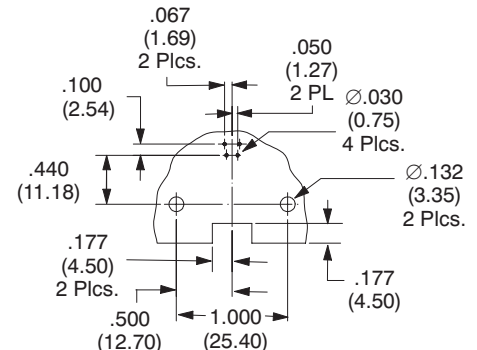
Dimension	D01 Housing 3&4 Position	D01 Housing 9 Position	D02 Housing 3 Position	D02 Housing 7 & 9 Position	D02 Housing 12 Position	D02 Housing 25 Position
U	.790 (20.07)	.700 (17.79)	.834 (21.19)	.742 (18.85)	.689 (17.50)	.655 (16.65)
V	.100 (2.54)	.075 (1.90)	.150 (3.81)	.100 (2.54)	.100 (2.54)	.075 (1.90)
W	.187 (4.74)	.181 (4.60)	.184 (4.68)	.177 (4.50)	.173 (4.39)	.181 (4.60)
X dia.	.024 (.60)	.015 (0.38)	.059 (1.50)	.024 (.60)	.017 (.435)	.015 (0.38)
Z	1.300 (33.02)	1.300 (33.02)	1.500 (38.10)	1.500 (38.10)	1.500 (38.10)	1.500 (38.10)
AA	.709 (18.00)	.709 (18.00)	.866 (22.00)	.866 (22.00)	.866 (22.00)	.866 (22.00)
BB	1.000 (25.40)	1.000 (25.40)	1.200 (30.48)	1.200 (30.48)	1.200 (30.48)	1.200 (30.48)
CC	.236 (6.00)	.236 (6.00)	.315 (8.00)	.315 (8.00)	.315 (8.00)	.315 (8.00)
DD	.220 (5.60)	.220 (5.60)	.335 (8.50)	.335 (8.50)	.335 (8.50)	.335 (8.50)
EE	.528 (13.40)	.528 (13.40)	.610 (15.50)	.610 (15.50)	.610 (15.50)	.610 (15.50)
FF	.350 (8.89)	.350 (8.89)	.400 (10.16)	.400 (10.16)	.400 (10.16)	.400 (10.16)

Mounting Dimensions Right Angle Daughter Board Application PC Board Shown From Component Side

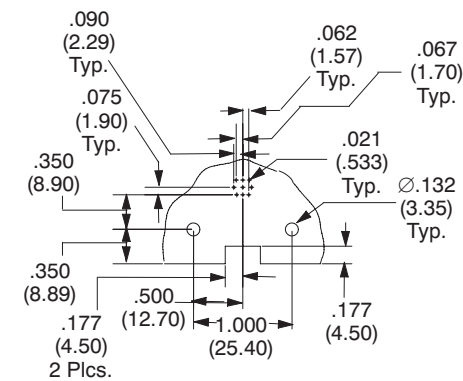


PC Board Layout for D01EEB306FB24TABH

← D01 3 Pin
D01 4 Pin →

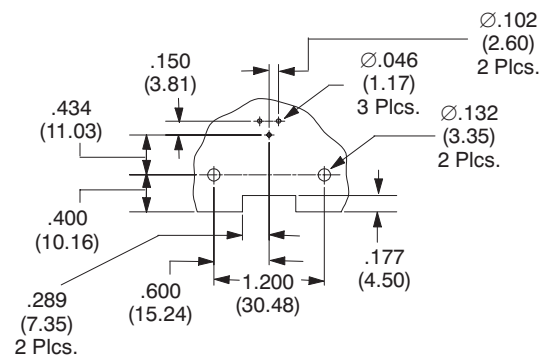


PC Board Layout for D01EEB406FB24TABH

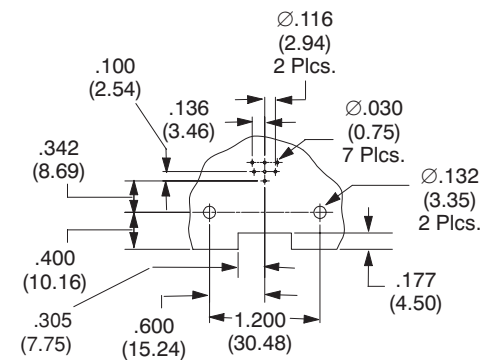


PC Board Layout for D01EEB904FB24UTABH

← D01 9 Pin
D02 3 Pin →

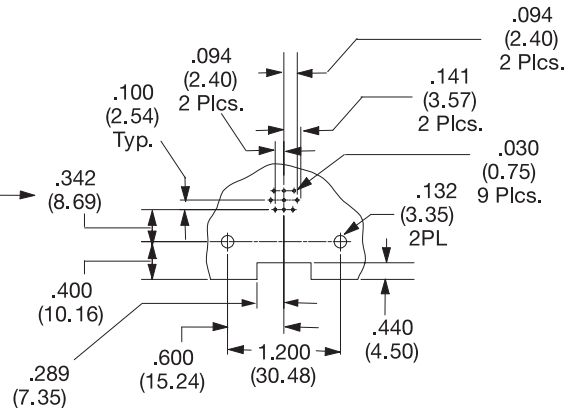


PC Board Layout for D02EEB315FB24TABH

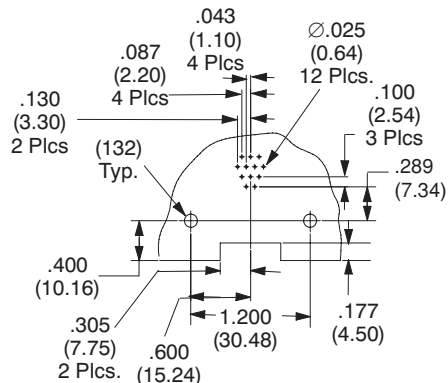


PC Board Layout for D02EEB706FB24TABH

← D02 7 Pin
D02 9 Pin →

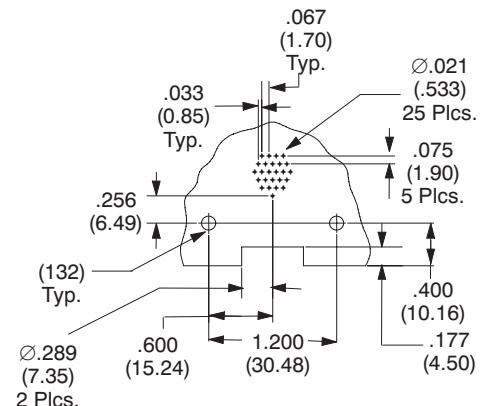


PC Board Layout for D02EEB906FB24TABH



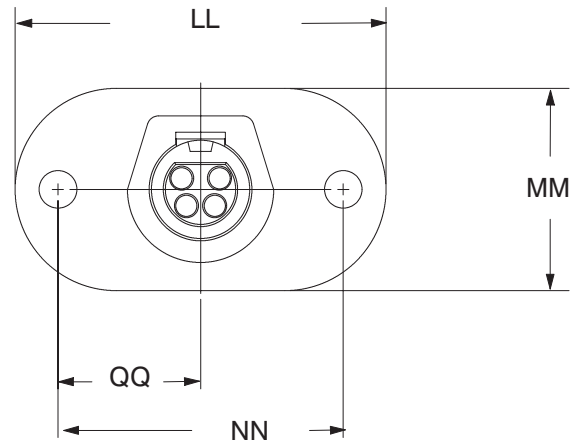
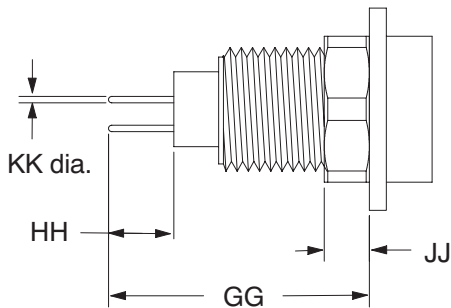
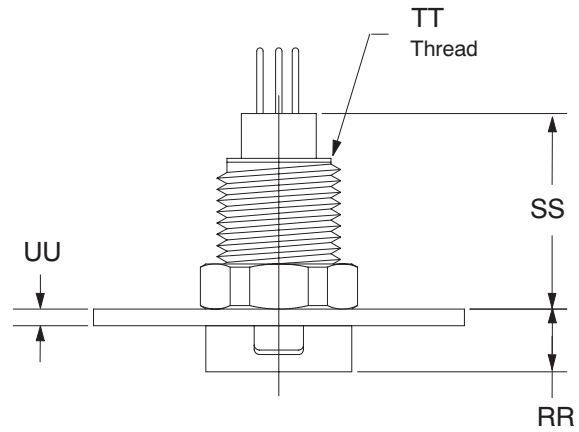
PC Board Layout for D02EEB125FB24TABH

← D02 12 Pin
D02 25 Pin →



PC Board Layout for D02EEB2504FB24UTABH

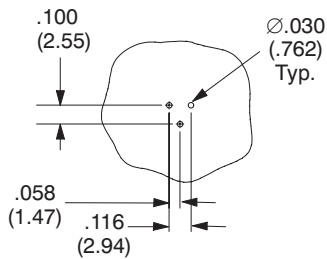
**Printed Circuit Board Receptacles (Straight Dip Solder)
(D01 306, D01 406, D01 904, D02 315, D02 706, D02 906, D02 125, & D02 2504)**



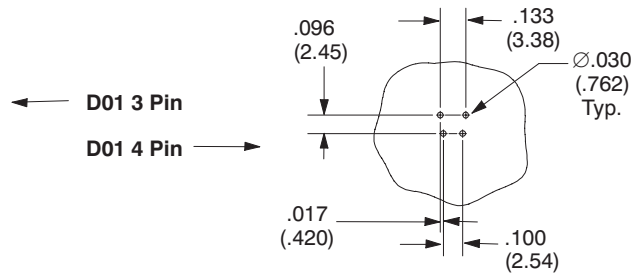
NOTE: Dimensions in inches (mm)

Dimension	D01 Housing 3&4 Position	D01 Housing 9 Position	D02 Housing 3 Position	D02 Housing 7 & 9 Position	D02 Housing 12 Position	D02 Housing 25 Position
GG	.914 (23.23)	.866 (22.00)	1.059 (26.91)	.989 (25.12)	.923 (23.45)	.870 (22.10)
HH	.229 (5.82)	.181 (4.60)	.193 (4.91)	.221 (5.61)	.313 (7.94)	.260 (4.60)
JJ	.157 (4.00)	.157 (4.00)	.157 (4.00)	.157 (4.00)	.157 (4.00)	.157 (4.00)
KK	.023 (0.58)	.015 (0.38)	.039 (1.00)	.023 (0.58)	.017 (0.43)	.015 (0.38)
LL	1.300 (33.02)	1.300 (33.02)	1.500 (38.10)	1.500 (38.10)	1.500 (38.10)	1.500 (38.10)
MM	.709 (18.00)	.709 (18.00)	.866 (22.00)	.866 (22.00)	.866 (22.00)	.866 (22.00)
NN	1.000 (25.40)	1.000 (25.40)	1.200 (30.48)	1.200 (30.48)	1.200 (30.48)	1.200 (30.48)
QQ	.500 (12.70)	.500 (12.70)	.600 (15.24)	.600 (15.24)	.600 (15.24)	.600 (15.24)
RR	.220 (5.60)	.220 (5.60)	.335 (8.50)	.335 (8.50)	.335 (8.50)	.335 (8.50)
SS	.685 (17.40)	.685 (17.40)	.866 (22.00)	.768 (19.50)	.689 (17.50)	.689 (17.50)
TT	M11 x 1.00 Thd	M11 x 1.00 Thd	M15 x 1.00 Thd	M15 x 1.00 Thd	M15 x 1.00 Thd	M15 x 1.00 Thd
UU	.059 (1.50)	.059 (1.50)	.059 (1.50)	.059 (1.50)	.059 (1.50)	.059 (1.50)

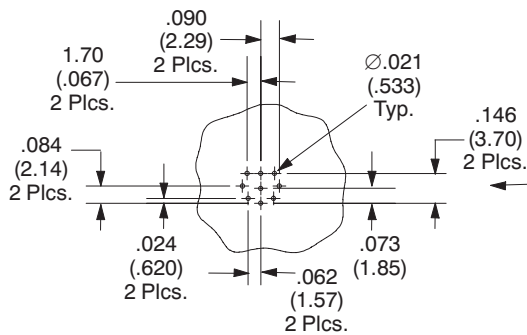
**Mounting Dimensions
Straight Contact PC Board Application
PC Board Shown From Component Side**



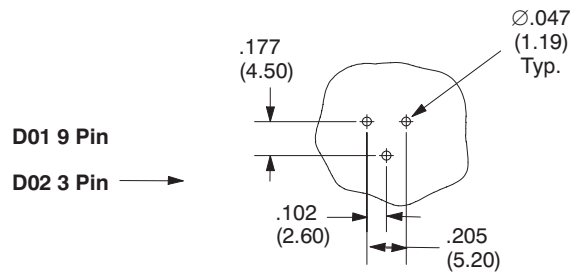
PC Board Layout for D01EEB306FD21TABH



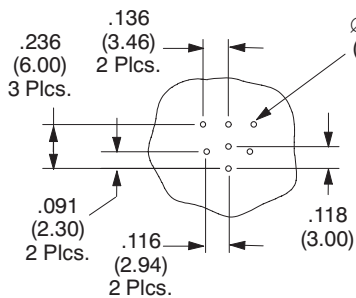
PC Board Layout for D01EEB406FD21TABH



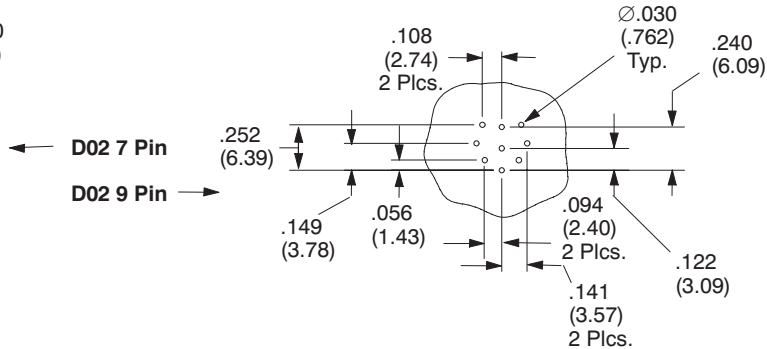
PC Board Layout for D01EEB904FD21UTABH



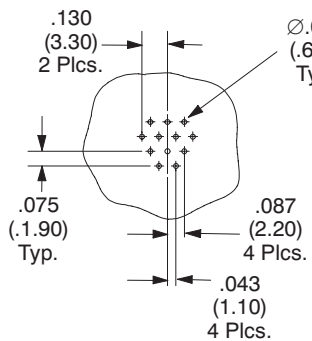
PC Board Layout for D02EEB315FD21TABH



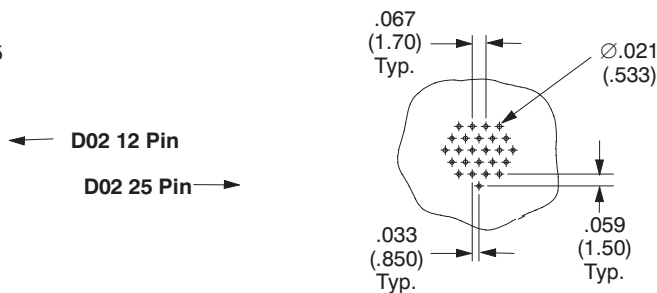
PC Board Layout for D02EEB706FD21TABH



PC Board Layout for D02EEB906FD21TABH



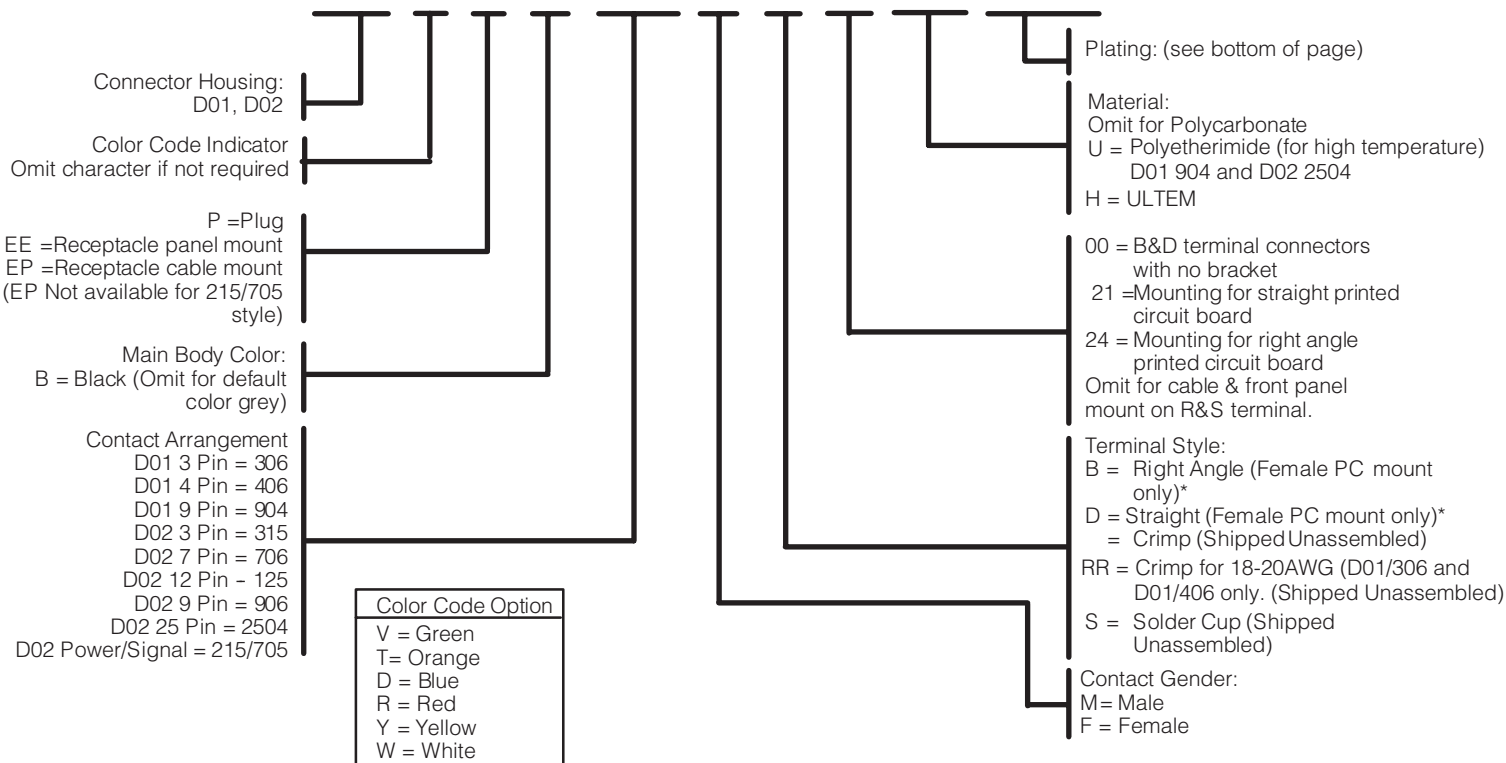
PC Board Layout for D02EEB125FD21TABH



PC Board Layout for D02EEB2504FD21UTABH

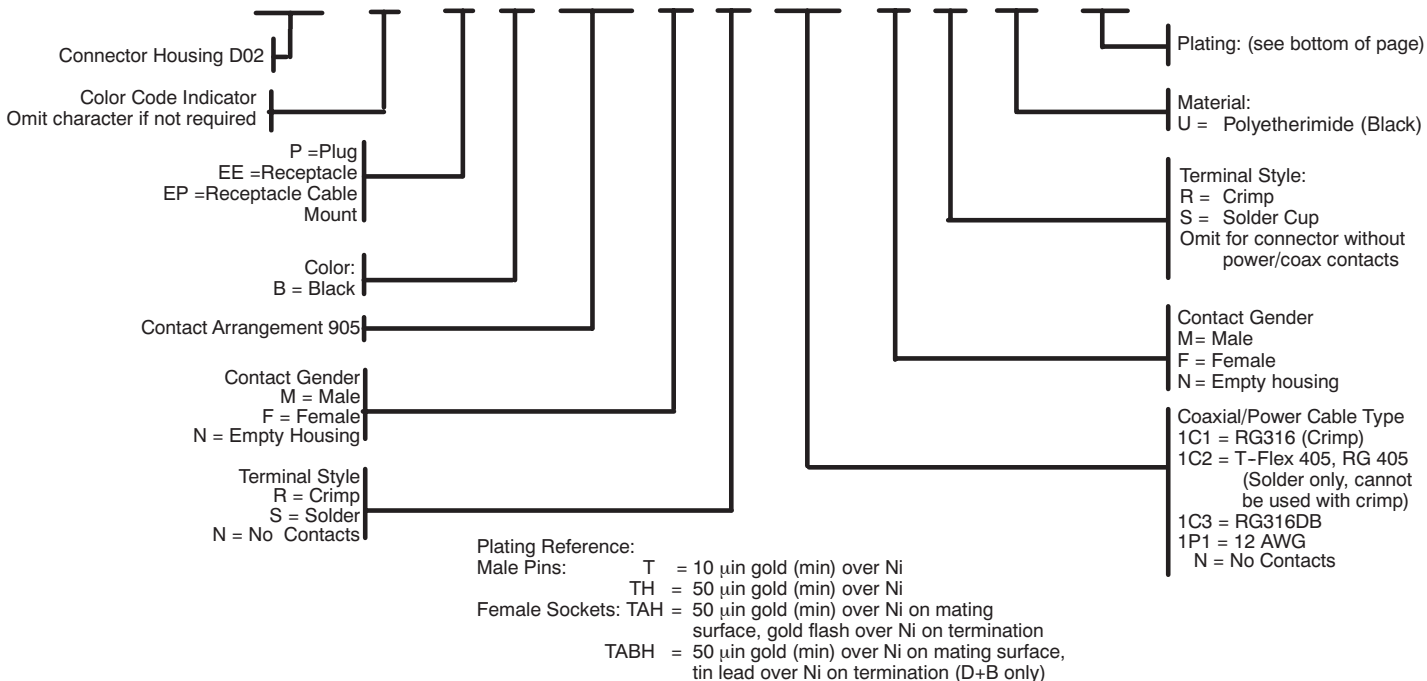
ORDERING INFORMATION

D01 V P B 306 F B 24 HU TABH



D02 COAX OR POWER & SIGNAL ORDERING INFORMATION

D02 V P B 905 M R 1C1 M R U TH



* Check factory for availability