

NOTE

1.SPECIFICATION

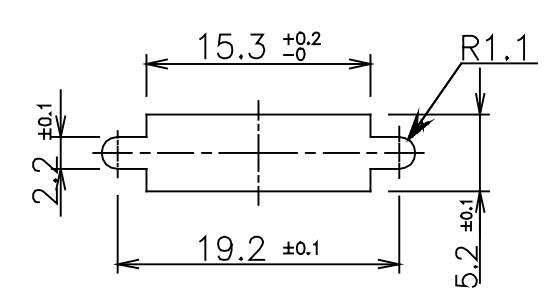
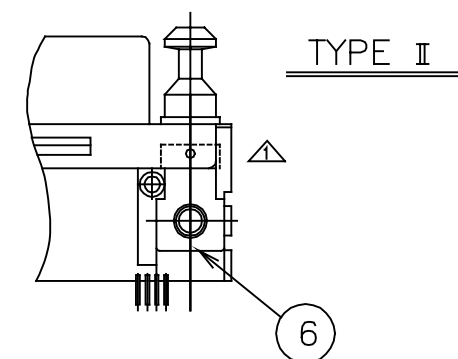
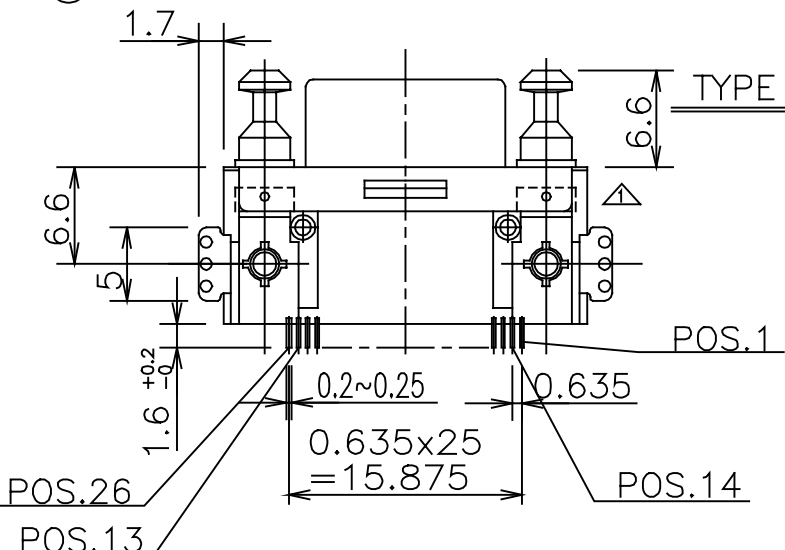
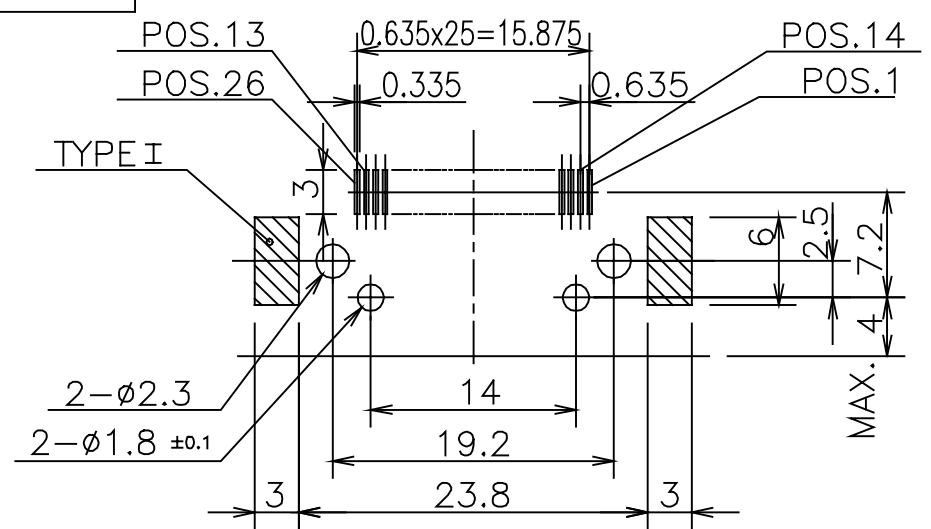
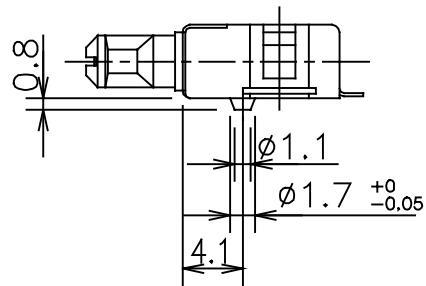
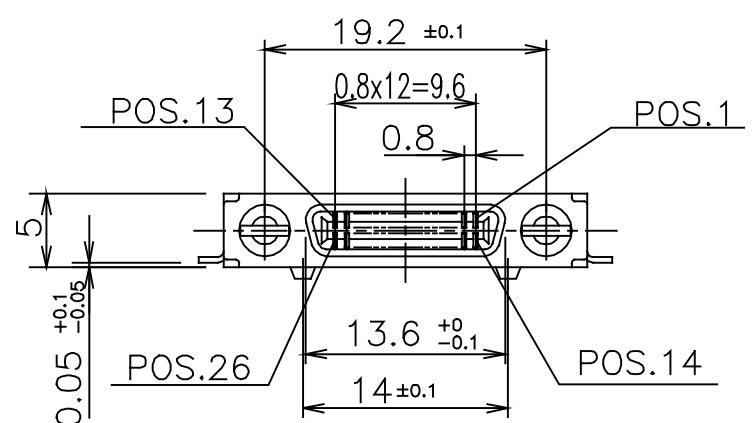
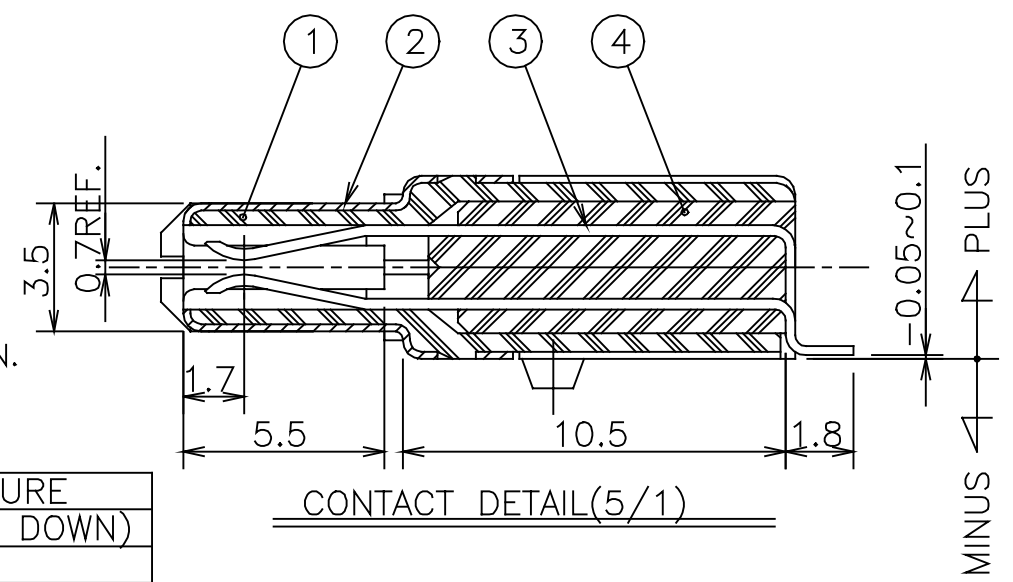
- RATED CURRENT 0.5A(PEAK TO PEAK 1A)/1 CONTACT
- VOLTAGE 125V AC(r.m.s.)

2.CONTACT PLATING

- CONTACT AREA 0.76μm MIN.GOLD
- TERMINAL AREA 2.6~5μm TIN/LEAD

ALL OVER 1.5μm MIN. NICKEL PLATING

PART NO.	MOUNTING STRUCTURE
HDR-EA26LFYPG1-SLE	TYPE I (SCREW+HOLD DOWN)
HDR-EA26LFYTG1-SLE	TYPE I (SCREW)



HONDA
PRINT RM
DEC.6.1999
ISSUED

9	LOCKING DEVICE	STEEL	2	NICKEL	---
8	SPRING LOCK WASHER	STEEL	2	NICKEL	---
7	HEX.NUT	STEEL	2	NICKEL	M2
6	EARTH PLATE	PHOSPHOR BRONZE	2	TIN/LEAD	---
5	SQR.NUT	BRASS	2	NICKEL	M2
4	INSULATOR B	PPS(GF)	1	---	UL94V-0 BLACK COLOR
3	CONTACT	PHOSPHOR BRONZE	26	SEE NOTE 2	---
2	SHELL	STEEL	1	NICKEL	---
1	INSULATOR A	LCP(GF)	1	---	UL94V-0 BLACK COLOR

LTR.	DATE	BY	REV.	DESCRIPT	NO.	PART NAME	MATERIAL	QTY	FINISH	NOTE
△	NOV-9 1998	H.A.		ADD PANEL CUT-OUT DIMENSION.						
△	SEP-8 1997	Y.K.		MATERIAL						
△	SEP-27 1995	K.S.		NEW REV.						
△	JUN-7 1995	K.S.		NEW REV.						

DATE	SCALE	UNIT	3RD . A . P	HONDA TSUSHIN KOGYO., LTD.		
6.10.19 (1994)	2 / 1	mm(INCH)		DR	DE	CHK
				CHK	APP	NAME
						0.8mm SPACING 26POS. RIGHT ANGLE FEMALE CONNECTOR
						PART NO. HDR-EA26LFY()G1-SLE
						REV. 4D

HDR-EA26LFYPG1-SLE ED