

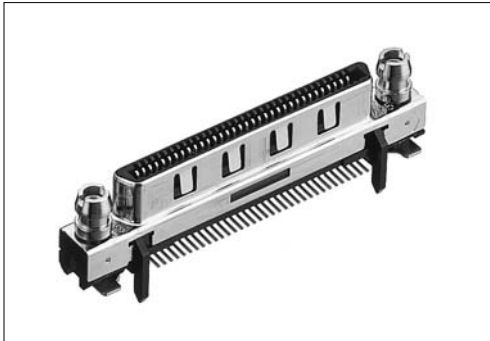
**Straight SMT type female connector for PCB**  
**HDRA-E68FYT-( )+**

For PCB

Straight SMT

ANSI/SFF8441

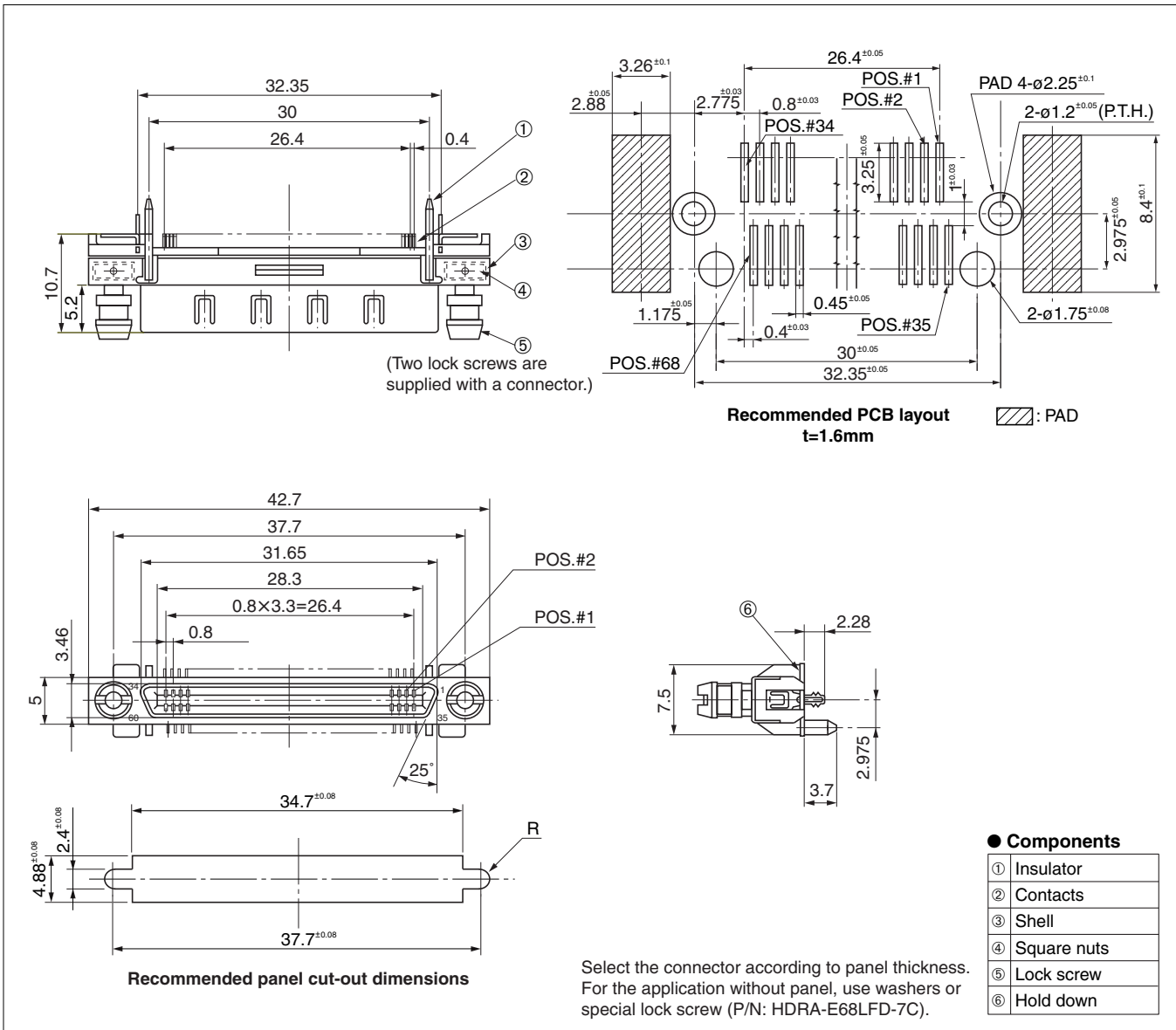
RoHS



● Configuration of product Part No.

**HDRA- E 68 FY T- ( )+**

- ① Series name
- ② No. of contacts: 68
- ③ Type of contact  
FY: Straight SMT type, female
- ④ Provided with board lock mechanism
- ⑤ Lock screw  
Blank: None  
SL : Provided  
(Thickness of panel: 1.12 mm)



Mating connector: HDRA series IDC type male cable connector, or straddle SMT type male connector