

**PCB side fine-wire coaxial cable
LVC-C40SFYG(TP)+**

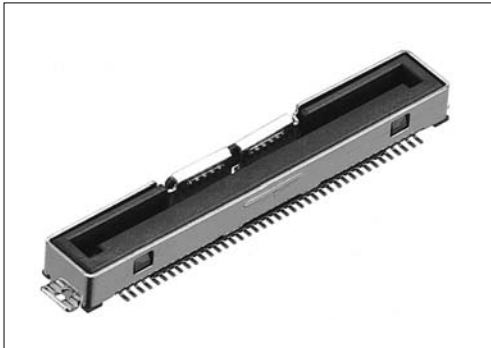
Fine-wire coaxial cable

For LCD

0.5 mm pitch

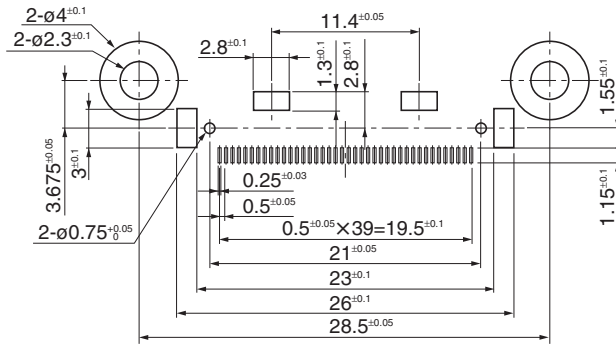
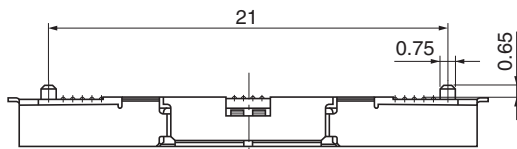
PCB sides

RoHS

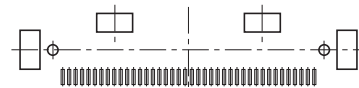
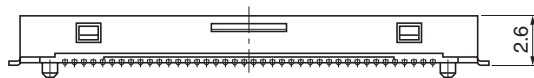
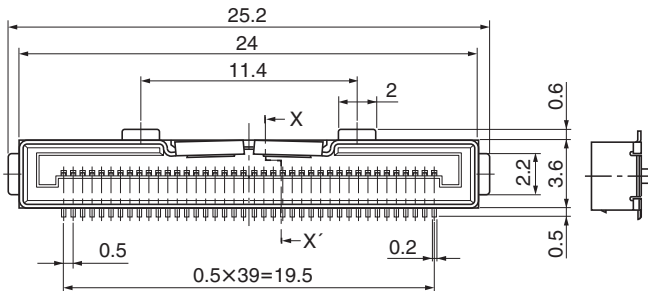


● Configuration of product Part No.
LVC- C 40 SFY G (TP)+

- ① Series name
- ② No. of contacts: 40
- ③ Type of contact
SFY: Straight SMT type, female
- ④ Contact plating
G: Gold plate
- ⑤ Taping package
TP: With embossed tape and reel
(1R=1,500pcs)



**Recommended PCB layout
Mating connector: LVC-C40LPMSG+**



**Recommended PCB layout
Mating connector: LVC-D40LPMSG+**

● Components

①	Insulator
②	Contacts
③	Shell

Mating connector: LVC-C40LPMSG+

LVC-D40LPMSG+