

TYPE R MALE EXPANDED INVERSE DIN PCB CONNECTOR (150 POSITION)



PHYSICAL PROPERTIES

INSULATION MATERIAL: Glass filled thermoplastic rated UL 94V-0, compatible with vapor phase soldering

COLOR: Gray

CONTACTS: Copper alloy, nickel plate overall, gold finish in contact zone. Tin/lead on solder tails, tin/lead or gold on posts.

ELECTRICAL PROPERTIES

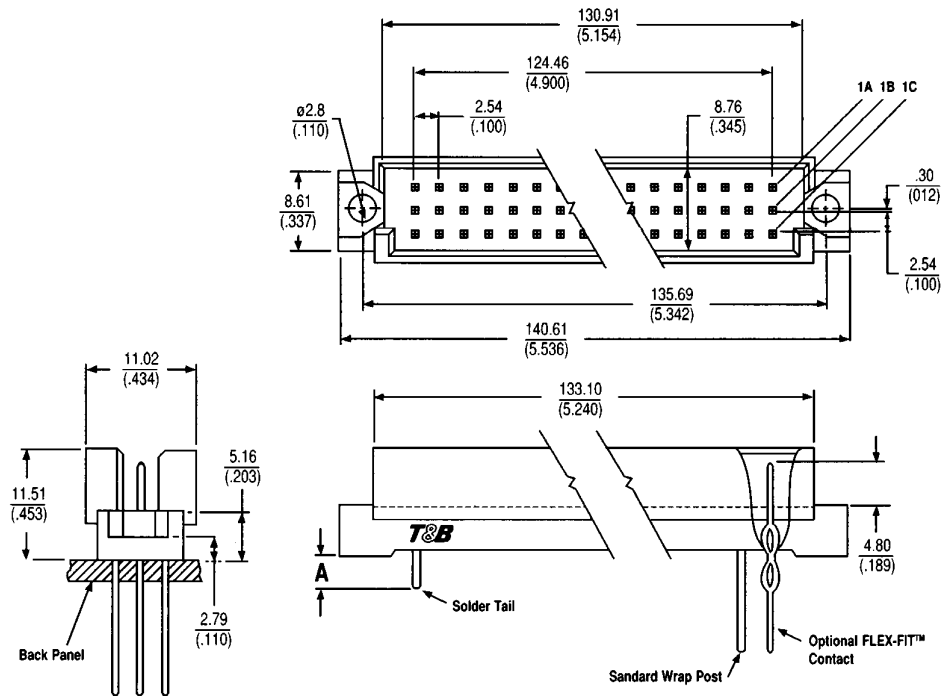
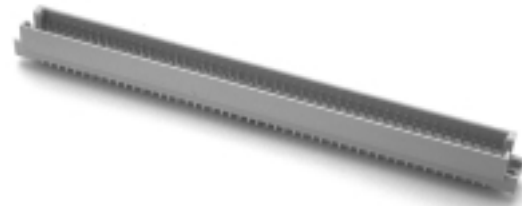
CURRENT RATING: 2 Amps per pin

INSULATION RESISTANCE: >1 x 10⁹ Ohms

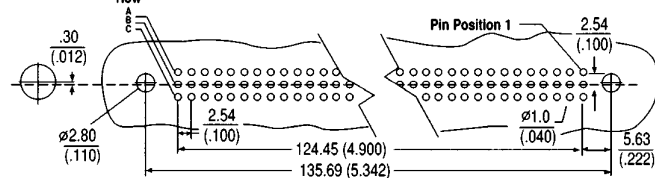
DIELECTRIC STRENGTH: > 500 VDC at sea level

ENVIRONMENTAL PROPERTIES

TEMPERATURE RATING: -55°C TO 125°C



Recommended Circuit Board Layout



Ordering Information

NO. OF CONTACTS	CONTACT LOADING	CATALOG NO.	TERMINATION STYLE	MM (INCHES)
150	a, b, c 1, 2, 3 -50	MXR150-021-2	A = 2.5 (.098)	Solder Post 0.6 x 0.6 (.024 x .024)
150	a, b, c 1, 2, 3 -50	MXR150-031-2	A = 4.0 (.157)	Solder Post 1.0 x 1.0 (.040 x .040)
150	a, b, c 1, 2, 3 -50	MXR150-051-2-1	A = 13.0 (.512)	Flexfit™ Wire Wrap Post 0.64 x 0.64 (.025 x .025)
150	a, b, c 1, 2, 3 -50	MXR150-081-2	A = 4.7 (.184)	
150	a, b, c 1, 2, 3 -50	MXR150-091-2-1	A = 13.0 (.512)	
150	a, b, c 1, 2, 3 -50	MXR150-101-2-1	A = 17.0 (.669)	
150	a, b, c 1, 2, 3 -50	MXR150-111-2-1	A = 20.9 (.823)	