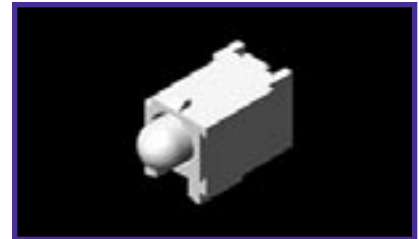
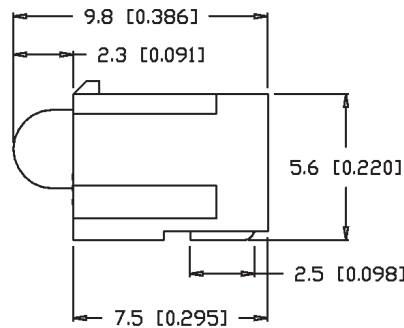
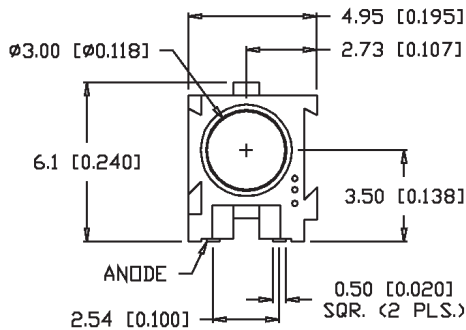


SMF-HM1340XD-TR

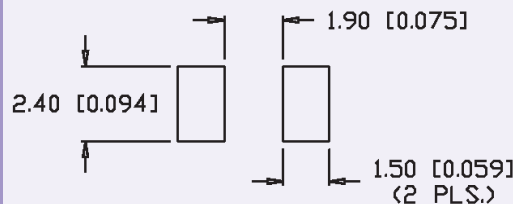
Right Angle T3mm Mating Option



Features/Options

- ▶ LED and Holder Assembly For Higher Off-Board Light Location
- ▶ Right Angle or Straight Up Package With Outstanding Solder Heat Tolerance
- ▶ Lensed LED Provides Focused Light Emission
- ▶ Endless Choice of Colors (Limited to LEDs)
- ▶ Available Off-the-Shelf

RECOMMENDED SOLDER PAD LAYOUT



Applications/Uses

- ▶ Right Angle Panel or Fault Indicators
- ▶ Front Panel Backlighting of Overlays
- ▶ Edgelighting of Keypads or Information Panels

SMF-HM1340 Package Style - Standard Brightness

Right Angle T3mm Mating Option

Lumex Part Number	Die Material	Emitted Color	Peak (nm)	Lens	Axial Intensity @ If=20mA	V _f Typ @ If=20mA	V _f Max @ If=20mA	View Angle° 2θ	Reflow Profile Pg. 134	Tape Specs Pg. 134
SMF-HM1340GD-TR	GaP	Green	565	Green Diffused	30	2.2	2.6	60	Figure 1	Figure D
SMF-HM1340ID-TR	GaAsP	High Intensity Red	635	Red Diffused	30	2.0	2.5	60	Figure 1	Figure D
SMF-HM1340SRD-TR	GaAlAs	Super Red	660	Red Diffused	80	1.7	2.2	60	Figure 1	Figure D
SMF-HM1340YD-TR	GaAsP	Yellow	585	Yellow Diffused	30	2.1	2.5	60	Figure 1	Figure D



USA/Canada 1-800-278-5666
Asia +886-3-5821124



www.lumex.com



USA/Canada 1-847-359-8904
Asia +886-3-5821154