



RGB, Vertical, Right Angle for Light Pipes & Backlighting

SurfLED™ Surface Mount LEDs



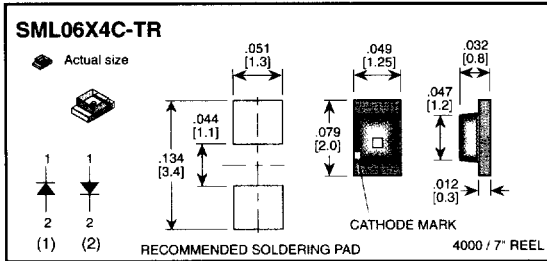
Features

- Compatible With Automatic Placement Equipment
- Compatible With IR and Vapor Phase Reflow Solder processes
- EIA Standard 8mm Tape, 7" Reel
- Small Size and Low Profile
- Ideal for High Density Mounting
- Industry Standard Footprint

Applications

- Optical Coupling into Light Pipes
- Backlighting Legends, LCD
- Logic/ Fault Status Indicator
- Backlighting Bargraph Light Pipes

2x1.25mm Miniature SurfLED



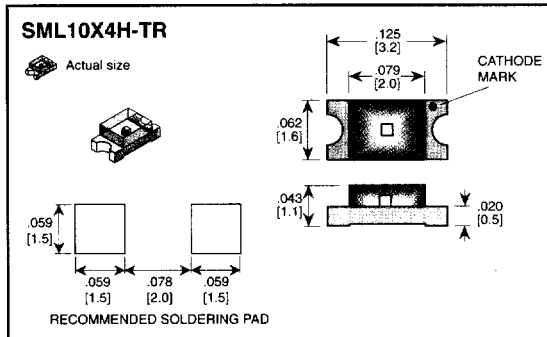
Part Number	LED Color	Lens Type/ Color	Electrical-Optical Characteristics (Ta = 25°C)				Full Viewing Angle
			If = mA typ	Iv mcd typ	Vf = V typ/max	λP nm	
(1) SML06R6C-TR	UL RED ●	CLEAR	20	11.7	1.7/2.3	660	
(2) SML06O4C-TR	ORANGE ●		20	3.7	2.2/2.8	605	
(2) SML06Y4C-TR	YELLOW ●		20	3.7	2.2/2.8	580	
(2) SML06LY4C-TR	LIME YELLOW ●		20	11.7	2.1/2.8	570	
(2) SML06G4C-TR	GREEN ●		20	6.4	2.1/2.8	560	
(2) SML06PG4C-TR	PURE GREEN ●		20	2.7	2.1/2.8	555	

Direct Cross to:

Stanley: BR1112H, AA1112H, AY1112H, PY1112H, PG1112H, BG1112H
 HP: HSMH-C670, HSMD-C670, HSMY-C670, HSMG-C670

Lumex: SML-LX0805 (SRC, IC, SYC, YC, GC)
 IDI: CMD17-21 (SRC, VRC, VYC, VGC, UGC)
 ROHM: SML-210 (LT, VT, DT, YT, MT, PT)

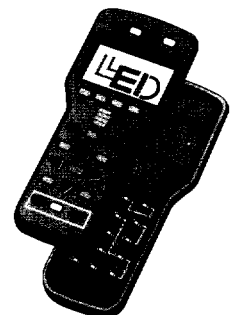
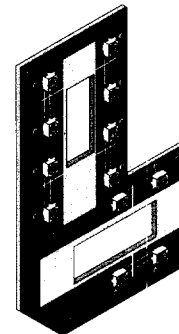
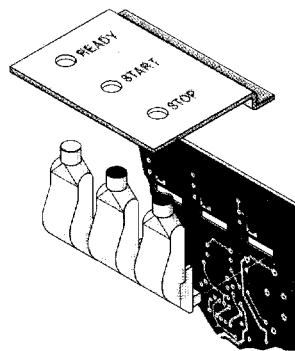
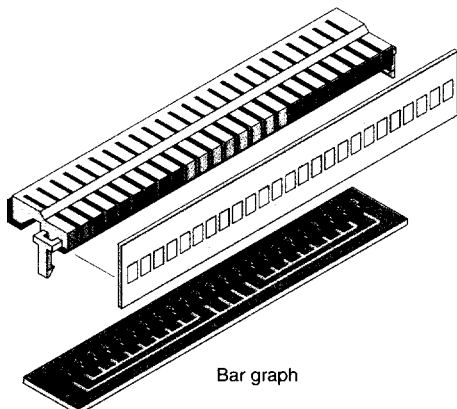
3.2x1.6 SurfLED



Part Number	LED Color	Lens Type/ Color	Electrical-Optical Characteristics (Ta = 25°C)				Full Viewing Angle
			If = mA typ	Iv mcd typ	Vf = V typ/max	λP nm	
SML10R3KH-TR	SP RED ●	WATER-CLEAR	20	45.0	2.0/2.6	660	
SML10R6H-TR	UL RED ●		20	30.0	1.7/2.6	660	
SML10R4H-TR	HE RED ●		20	12.0	2.0/2.6	635	
SML10O3KH-TR	SP ORANGE ●		20	60.0	2.0/2.5	620	
SML10O4H-TR	ORANGE ●		20	15.0	2.0/2.6	610	
SML10Y3KH-TR	SP YELLOW ●		20	60.0	2.1/2.5	595	
SML10Y4H-TR	YELLOW ●		20	10.0	2.1/2.6	585	
SML10G4H-TR	GREEN ●		20	15.0	2.2/2.6	568	
SML10G5H-TR	UL GREEN ●		20	00	2.2/2.6	568	
SML10PG4H-TR	PURE GREEN ●		20	1.5	2.2/2.6	555	
SML10TR6H-TR	UL RED ●	DIFFUSED	20	12.0	1.7/2.6	660	
SML10TR4H-TR	HE RED ●		20	6.0	2.0/2.6	635	
SML10TY4H-TR	YELLOW ●		20	6.0	2.1/2.6	585	
SML10TG4H-TR	GREEN ●		20	7.0	2.2/2.6	568	
SML10TPG4H-TR	PURE GREEN ●	20	0.9	2.2/2.6	555	160°	

Direct Cross to:

Dialight: 597-3001-107, 597-3301-107, 597-3401-107
 HP: HSMH-C650, HSMS-C650, HSMD-C650, HSMY-C650, HSMG-C650
 Lumex: SML-LX1206SRC, SML-LX1206IC, SML-LX1206SYC, SML-LX1206YC, SML-LX1206GC
 IDI: CMD15-21 (SRC, VRC, VYC, VGC, UBC, UGC, VRD, VGD, VYD)

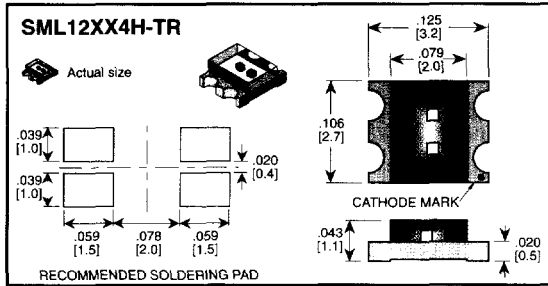




Vertical and Right Angle for Light Pipes & Backlighting

SurfLED™ Surface Mount LEDs

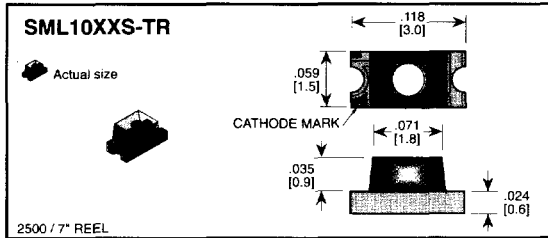
3.2x2.7mm Bi-Color SurfLED



Part Number	LED Color	Lens Type/Color	Electrical-Optical Characteristics (Ta = 25°C)				Full Viewing Angle
			If = mA typ	Iv mcd typ	Vf = V typ/max	λP nm	
SML12RG4H-TR	HE RED ●	WATER-CLEAR	30/150	12.0	2.0/2.6	630	
	GREEN ●		30/150	15.0	2.2/2.6	568	
SML12YG4H-TR	YELLOW ●		30/150	10.0	2.1/2.6	585	
	GREEN ●		30/150	15.0	2.2/2.6	568	

Direct Cross to: HP: HSMF-C655 Dialight: 597-7701-107, 597-7721-107, 597-7731-107 IDI: CMD15-22 (SRUGC, VRVGC)
 ROHM: SML-020 (MVT, MLT) Lumex: SML-LX1210 (YGC, IYC, IGC, GYC)

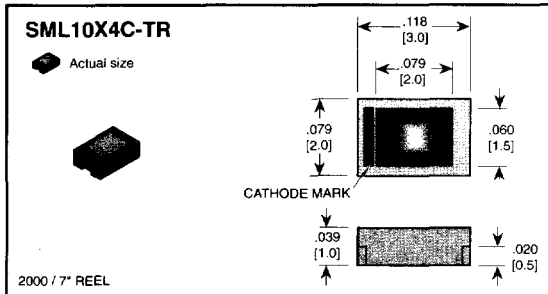
3x1.5mm SurfLED



Part Number	LED Color	Lens Type/Color	Electrical-Optical Characteristics (Ta = 25°C)				Full Viewing Angle
			If = mA typ	Iv mcd typ	Vf = V typ/max	λP nm	
SML10R6S-TR	UL RED ●	CLEAR	20	17.0	1.7/2.0	660	
SML10O5S-TR	ORANGE ●		20	9.0	2.2/2.5	605	
SML10Y4S-TR	YELLOW ●		20	6.0	2.2/2.5	580	
SML10LY5S-TR	LIME YELLOW ●		20	12.0	2.1/2.5	570	
SML10PG5S-TR	PURE GREEN ●		20	2.3	2.1/2.5	555	

Direct Cross to: Stanley: BR1102W, AA1102W, AY1102W, BG1102W IDI: CMD11-21 (SRC, VRC, VYC, VGC, UBC) Dialight: 597-3111-407, 597-3311-407, 597-3401-407

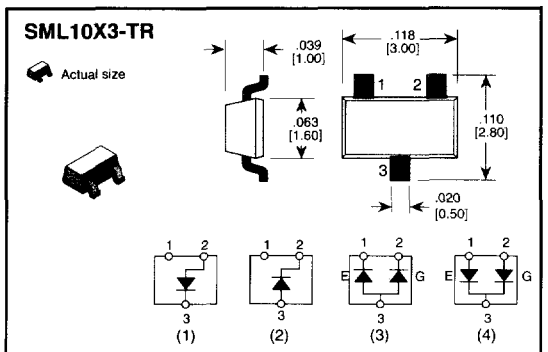
3x2mm Low Profile SurfLED



Part Number	LED Color	Lens Type/Color	Electrical-Optical Characteristics (Ta = 25°C)				Full Viewing Angle
			If = mA typ	Iv mcd typ	Vf = V typ/max	λP nm	
SML10R6C-TR	UL RED ●	CLEAR	20	80	1.7/2.4	660	
SML10R4C-TR	HE RED ●		20	20	2.0/2.5	625	
SML10O4C-TR	ORANGE ●		20	18	2.0/2.6	610	
SML10Y3KC-TR	SP YELLOW ●		20	80	2.1/2.6	595	
SML10Y4C-TR	YELLOW ●		20	20	2.1/2.5	580	
SML10G4C-TR	GREEN ●		20	20	2.2/2.5	565	
SML10PG4C-TR	PURE GREEN ●		20	1.8	2.2/2.6	555	

Direct Cross to: Stanley: BR, AA, AY, PG, BG (1112H) Lumex: CCL-LX23 (SRC, AC, IC, SYC, YC, GC) ROHM: SML-010 (LT, VT, DT, YT, MT, PT)

3x2.8mm SOT-23 SurfLED



Part Number	LED Color	Lens Type/Color	Electrical-Optical Characteristics (Ta = 25°C)				Full Viewing Angle
			If = mA typ	Iv mcd typ	Vf = V typ/max	λP nm	
(2) SML10R6-TR	UL RED ●	WATER-CLEAR	20	15.0	1.7/2.6	660	
(1) SML10R3-TR	HE RED ●		20	11.0	2.0/2.6	630	
(1) SML10O3-TR	ORANGE ●		20	12.0	2.0/2.6	610	
(1) SML10Y3K-TR	SP YELLOW ●		20	40.0	2.1/2.4	590	
(1) SML10Y3-TR	YELLOW ●		20	10.0	2.1/2.6	585	
(1) SML10G3-TR	GREEN ●		20	12.0	2.2/2.6	568	
(1) SML10PG3-TR	PURE GREEN ●		20	1.2	2.2/2.6	555	

Bi-Colors

(3) SML12RG3-TR	HE RED ●	WATER-CLEAR	20	5.5	2.0/2.6	635	
	GREEN ●		20	6.0	2.1/2.6	565	
(3) SML12YG3-TR	YELLOW ●	WATER-CLEAR	20	5.0	2.1/2.6	585	
	GREEN ●		20	6.0	2.2/2.6	568	
(4) SML12RG3-CC-TR	HE RED ●	WATER-CLEAR	20	5.5	2.0/2.6	635	
	GREEN ●		20	6.0	2.1/2.6	565	
(4) SML12YG3-CC-TR	YELLOW ●	WATER-CLEAR	20	5.0	2.1/2.6	585	
	GREEN ●		20	6.0	2.2/2.6	568	

Visible UL Red/ Infrared Dual Emitters

SML12R6IR880	UL RED ●	WATER-CLEAR	20	15.0	1.7/2.6	660	140°
	INFRARED ●		20		1.3/1.7	880	

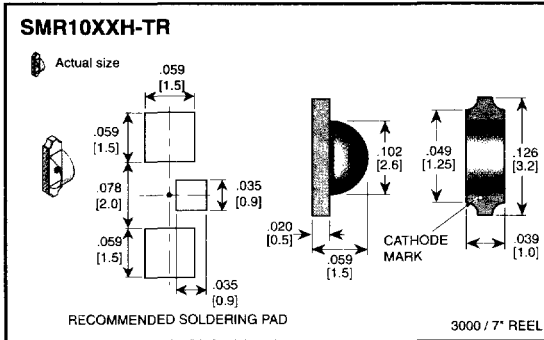
Direct Cross to: Siemens: LS S260, LY S260, LG S260, LU S260



Vertical and Right Angle for Light Pipes & Backlighting

SurfLED™ Surface Mount LEDs

3x1mm Right Angle SurfLED

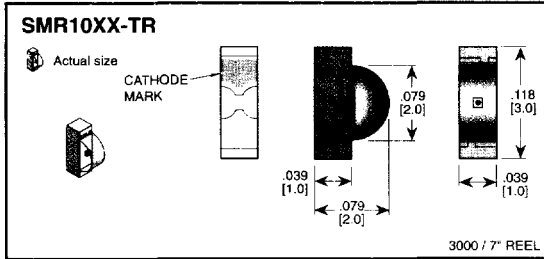


Direct Cross to:

Stanley: BR1101F, AA1101F, AY1101F, PY1101F, PG1101F, BG1101F
Lumex: SML-LXR85 (SRC, IC, SYC, YC, GC)
IDI: CMD12-21 (SRC, VRC, VYC, VGC, UGC)

Part Number	LED Color	Lens Type/ Color	Electrical-Optical Characteristics (Ta = 25°C)				Full Viewing Angle
			If = mA typ	Iv mod typ	Vf = V typ/max	λP nm	
SMR10R3KH-TR	SP RED ●	WATER-CLEAR	20	67.5	2.0/2.6	660	
SMR10R6H-TR	UL RED ●		20	45.0	1.7/2.6	660	
SMR10R4H-TR	HE RED ●		20	18.0	2.0/2.6	635	
SMR10O3KH-TR	SP ORANGE ●		20	90.0	2.0/2.6	620	
SMR10O4H-TR	ORANGE ●		20	22.5	2.0/2.6	610	
SMR10Y3KH-TR	SP YELLOW ●		20	90.0	2.1/2.6	595	
SMR10Y4H-TR	YELLOW ●		20	15.0	2.1/2.6	585	
SMR10G4H-TR	GREEN ●		20	22.5	2.2/2.6	568	
SMR10G5H-TR	UL GREEN ●		20	27.0	2.2/2.6	568	
SMR10PG4H-TR	PURE GREEN ●		20	2.2	2.2/2.6	555	
SMR10TR6H-TR	UL RED ●	DIFFUSED	20	18.0	1.7/2.6	660	
SMR10TR4H-TR	HE RED ●		20	9.0	2.0/2.6	635	
SMR10TY4H-TR	YELLOW ●		20	9.0	2.1/2.6	585	
SMR10TG4H-TR	GREEN ●		20	11.0	2.2/2.6	568	
SMR10TPG4H-TR	PURE GREEN ●		20	1.5	2.2/2.6	555	

3x1mm Right Angle SurfLED

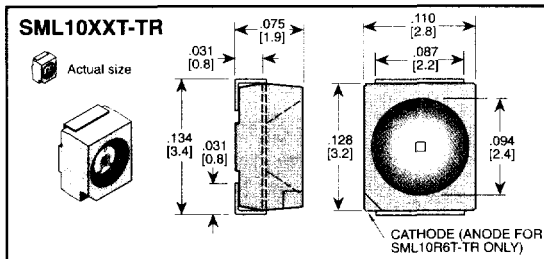


Direct Cross to:

Stanley: BR1101F, AA1101F, AY1101F, PY1101F, PG1101F, BG1101F
Lumex: SML-LXR85 (SRC, IC, SYC, YC, GC)
IDI: CMD11-21 (SRC, VRC, VYC, VGC, UBC)

Part Number	LED Color	Lens Type/ Color	Electrical-Optical Characteristics (Ta = 25°C)				Full Viewing Angle
			If = mA typ	Iv mod typ	Vf = V typ/max	λP nm	
SMR10R6-TR	UL RED ●	CLEAR	20	12.4	1.7/2.3	660	
SMR10O4-TR	ORANGE ●		20	3.0	2.2/2.8	605	
SMR10Y4-TR	YELLOW ●		20	3.0	2.2/2.8	580	
SMR10LY4-TR	LIME YELLOW ●		20	8.8	2.1/2.8	570	
SMR10G4-TR	GREEN ●		20	5.2	2.1/2.8	560	
SMR10PG4-TR	PURE GREEN ●		20	2.4	2.1/2.8	555	

3.4x2.8mm SurfLED

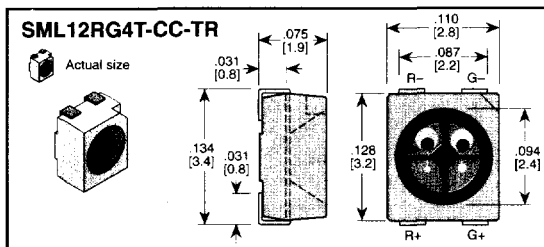


Direct Cross to:

Siemens: LH T674, LB T670, LG T670, LO T670, LP T670, LS T670, LY T670
HP: HSMA-T425, HSMD-T425, HSMJ-T425, HSMH-T400, HSMS-T400, HSMG-T400, HSMY-T400, HSMG-T400, HSME-T400
Dialight: 597-3001-207, 597-3121-207, 597-3301-207, 597-3401-207
Lumex: SML-LX3032 (SRC, IC, SYC, YC, GC, SBC)

Part Number	LED Color	Lens Type/ Color	Electrical-Optical Characteristics (Ta = 25°C)				Full Viewing Angle
			If = mA typ	Iv mod typ	Vf = V typ/max	λP nm	
SML10R6T-TR	UL RED ●	WATER-CLEAR	20	54.0	1.7/2.6	660	
SML10R4T-TR	HE RED ●		20	14.5	2.0/2.6	635	
SML10O4T-TR	ORANGE ●		20	18.0	2.0/2.6	610	
SML10O3KT-TR	SP ORANGE ●		20	72.0	2.0/2.6	620	
SML10Y3KT-TR	SP YELLOW ●		20	72.0	2.0/2.6	595	
SML10Y4T-TR	YELLOW ●		20	21.5	2.1/2.6	585	
SML10G4T-TR	GREEN ●		20	18.0	2.2/2.6	565	
SML10PG4T-TR	PURE GREEN ●		20	1.8	2.2/2.6	555	
SML10UB500T-TR	UL BLUE ●		20	12.0	3.6/5.0	430	

3.4x2.8mm Bi-Color SurfLED



Direct Cross to:

Lumex: SML-LX3032 (YGC, IYC, IGC, GYC)

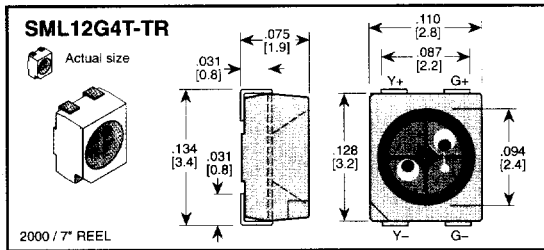
Part Number	LED Color	Lens Type/ Color	Electrical-Optical Characteristics (Ta = 25°C)				Full Viewing Angle
			If = mA typ	Iv mod typ	Vf = V typ/max	λP nm	
SML12RG4T-CC-TR	HE RED ●	WATER-CLEAR	20	14.5	2.0/2.6	635	120°
	GREEN ●		20	18.0	2.2/2.6	568	



Vertical and Right Angle for Light Pipes & Backlighting

SurfLED™ Surface Mount LEDs

3.4x2.8mm Bi-Color SurfLED

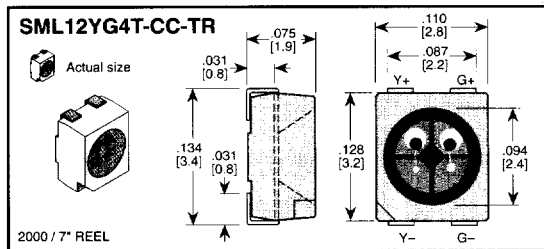


Direct Cross to:

Siemens: LSG, LSP, LSY, LOP, LOG, LYP (T670) Dialight: 597-7701-207
LSS, LOO, LYY, LGG, LPP, LBB (T670)

Part Number	LED Color	Lens Type/ Color	Electrical-Optical Characteristics (Ta = 25°C)				Full Viewing Angle
			If = mA typ	Iv mod typ	Vf = V typ/max	λP nm	
SML12RG4T-TR	HE. RED ●	WATER-CLEAR	20	14.5	2.0/2.6	635	
	GREEN ●		20	18.0	2.2/2.6	568	
SML12YG4T-TR	YELLOW ●	WATER-CLEAR	20	21.5	2.1/2.6	585	
	GREEN ●		20	18.0	2.2/2.6	565	

3.4x2.8mm Bi-Color SurfLED

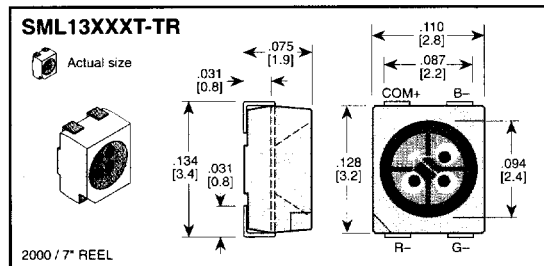


Direct Cross to:

Siemens: LSG, LSP, LSY, LOP, LOG, LYP (T670) Dialight: 597-7701-207
LSS, LOO, LYY, LGG, LPP, LBB (T670)

Part Number	LED Color	Lens Type/ Color	Electrical-Optical Characteristics (Ta = 25°C)				Full Viewing Angle
			If = mA typ	Iv mod typ	Vf = V typ/max	λP nm	
SML12YG4T-CC-TR	YELLOW ●	WATER-CLEAR	20	21.5	2.1/2.6	585	120°
	GREEN ●		20	18.0	2.2/2.6	565	

3.4x2.8mm Full Spectrum RGB SurfLED

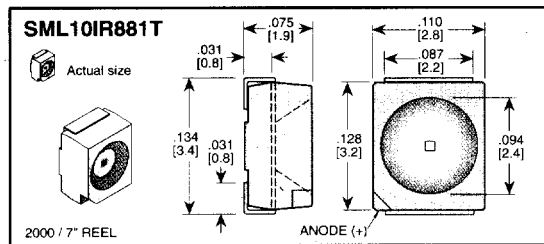


Direct Cross to:

Siemens: LSPB T670

Part Number	LED Color	Lens Type/ Color	Electrical-Optical Characteristics (Ta = 25°C)				Full Viewing Angle
			If = mA typ	Iv mod typ	Vf = V typ/max	λP nm	
SML13RGB4T-TR	HE RED ●	WATER-CLEAR	20	14.5	2.0/2.6	635	
	HE GREEN ●		20	25.0	2.2/2.6	568	
	UL BLUE ●		20	12.0	5.0/5.5	430	
SML13RPG4T-TR	HE RED ●	WATER-CLEAR	20	14.5	2.0/2.6	635	
	PURE GREEN ●		20	2.0	2.2/2.6	555	
	UL BLUE ●		20	12.0	5.0/5.5	430	
SML13UR4T-TR	UL RED ●	WATER-CLEAR	20	60.0	1.7/2.6	660	
	HE GREEN ●		20	25.0	2.2/2.6	568	
	UL BLUE ●		20	12.0	5.0/5.5	430	
SML13URP4T-TR	UL RED ●	WATER-CLEAR	20	60.0	1.7/2.6	660	
	PURE GREEN ●		20	2.0	2.2/2.6	555	
	UL BLUE ●		20	12.0	5.0/5.5	430	

3.4x2.8mm Infrared SurfLED



Direct Cross to:

Siemens: LSPB T670

Part Number	LED Color	Lens Type/ Color	Electrical-Optical Characteristics (Ta = 25°C)				Full Viewing Angle
			If = mA typ	Radiant Power	Vf = V typ/max	λP nm	
SML10IR881T-TR	INFRARED ●	WATER-CLEAR	100	6 mW	1.7/2.0	880	120°
SML10IR941T-TR	INFRARED ●		100	5 mW	1.5/2.0	940	



LEDTRONICS[®]
THE FUTURE OF LIGHT

23105 Kashiwa Court, Torrance, CA 90505
Phone: (800) 579-4875 or (310) 534-1505 Fax: (310) 534-1424
E-mail: webmaster@ledtronics.com
Website: http://www.ledtronics.com