

Ceramic SMD Automotive Grade Crystal

Model: FXA3225B Series

RoHS Compliant

Rev. 6/2/2009

Page 1 of 2

http://www.foxonline.com/need_a_sample.htm

Need a
Sample®

FEATURES

- Meets AEC-Q200 Requirements
- Fundamental to 52 MHz
- Temperatures to -40°C ~ +125°C
- Seam Seal
- Tape and Reel (3,000 pcs. STD)

• PART NUMBER Learn More - Internet Required		
Part Number	Model Number	Frequency Range (MHz)
507B-Frequency-xxxxx	FXA3225B	12.000 ~ 52.000

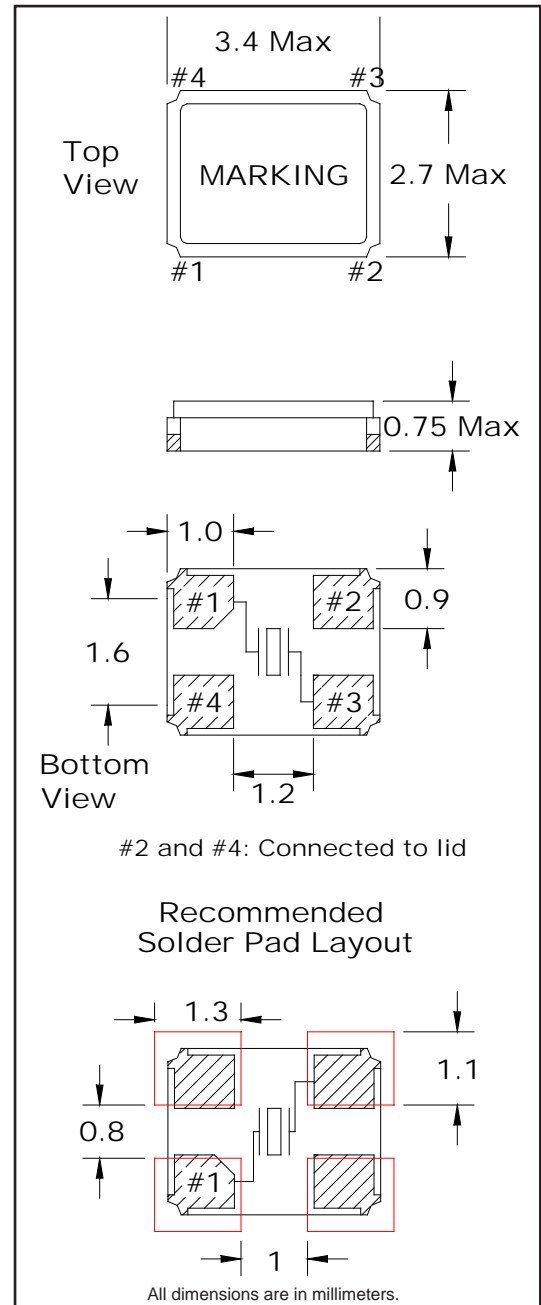
• STANDARD SPECIFICATIONS	
PARAMETERS	MAX (unless otherwise noted)
Frequency	12.000 ~ 52.000 MHz
Frequency Tolerance @ 25°C	±50 PPM ¹
Frequency Stability, ref @ 25°C	
-40 ~ +125°C	±100 PPM
-40 ~ +85°C	±50 PPM ¹ (Customer Specified)
Temperature Range	
Operating (TOPR)	-40°C ~ +125°C
Storage (TSTG)	-55°C ~ +150°C
Shunt Capacitance (Co)	5pF
Load Capacitance (CL)	7pF~Series (Customer Specified)
Drive Level	100μW
Aging per year	±5 PPM
Maximum Soldering Temp / Time	260°C / 10 Seconds
Moisture Sensitivity Level (MSL)	1
Termination Finish	Au
Seal Method	Seam Seal

¹ Other tolerances and stabilities available. Contact Fox Technical Support for specific requirements.

Frequency Range (MHz)	Operating Mode	Max ESR Ω
12.000 ~ 29.999999	Fundamental	100
30.000 ~ 52.000000	Fundamental	50

Note: Dimensional drawing is for reference to critical specifications defined by size measurements. Certain non-critical visual attributes, such as side castellations, etc. may vary.

The above specifications, having been carefully prepared and checked, are believed to be accurate at the time of publication; however, no responsibility is assumed by Fox Electronics for inaccuracies.



Ceramic SMD Automotive Grade Crystal

Model: FXA3225B Series

RoHS Compliant

Rev. 6/2/2009

Page 2 of 2

http://www.foxonline.com/need_a_sample.htm

Need a
Sample®

• TAPE SPECIFICATIONS (millimeters)							
MODEL	A	B	C	D	E	F	STD Reel QTY
FXA3225B	∅1.0	4.0	4.0	3.5	8.0	1.4	3,000

• REEL SPECIFICATIONS (millimeters)							
MODEL	G	H	I	J	K	L	M
FXA3225B	2.5	∅13	∅21	∅60.2	∅180	8.1	1.6

