

Ceramic SMD Crystal



Model: FX325BS

Pb Free

Rev. 3/24/2006

Page 1 of 2

http://www.foxonline.com/need_a_sample.htm

Need a
Sample®

FEATURES

- Low Cost
- Fundamental to 50 MHz
- Tape and Reel (3,000 pcs. STD)

OPTIONS

- Tolerances to 10 PPM
- Stabilities to 10 PPM
- Temperatures to -40°C ~ +85°C

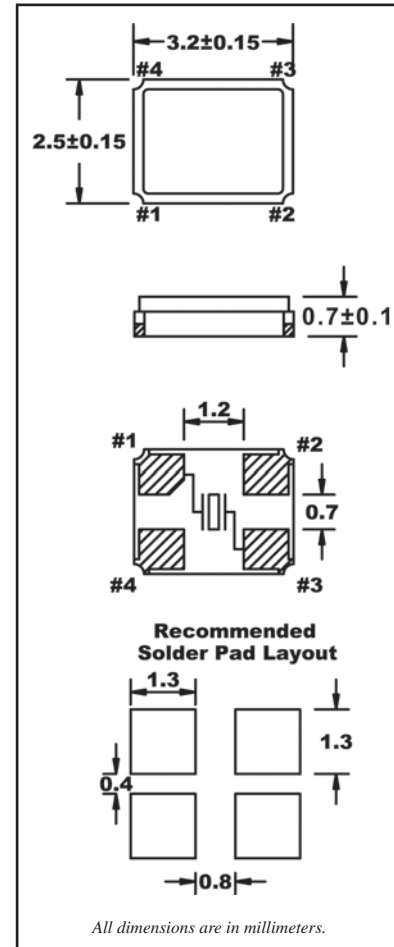
• PART NUMBER [Learn More - Internet Required](#)

Part Number	Model Number	Frequency Range (MHz)
603-Frequency-xxxxx	FX325BS	16.000 ~ 50.000

• STANDARD SPECIFICATIONS¹

PARAMETERS	MAX (unless otherwise noted)
Frequency Range	16.000 ~ 50.000 MHz
Frequency Tolerance @ 25°C	±50 PPM
Frequency Stability, ref @ 25°C Over Operating Temp Range	±50 PPM
Temperature Range	
Operating (TOPR)	-10°C ~ +60°C
Storage (TSTG)	-40°C ~ +85°C
Equivalent Series Resistance	90 Ω
Shunt Capacitance (Co)	7.0 pF
Load Capacitance (CL)	10 pF ~ Series (Customer Specified)
Drive Level	0.1 mW
Aging per year	±5 PPM

¹ Other tolerances, stabilities & operating temperature ranges available. Consult Fox Customer Service for specific requirements.
All specifications subject to change without notice.



Ceramic SMD Crystal



Model: FX325BS

Pb Free

Rev. 3/24/2006

Page 2 of 2

http://www.foxonline.com/need_a_sample.htm

Need a
Sample®

• TAPE SPECIFICATIONS (millimeters)							
MODEL	A	B	C	D	E	F	STD Reel QTY
FX325BS	∅1.5	4.0	4.0	3.5	8.0	1.3	3,000

• REEL SPECIFICATIONS (millimeters)							
MODEL	G	H	I	J	K	L	M
FX325BS	2.0	∅13	∅21	∅80	∅180	9.0	2.0

