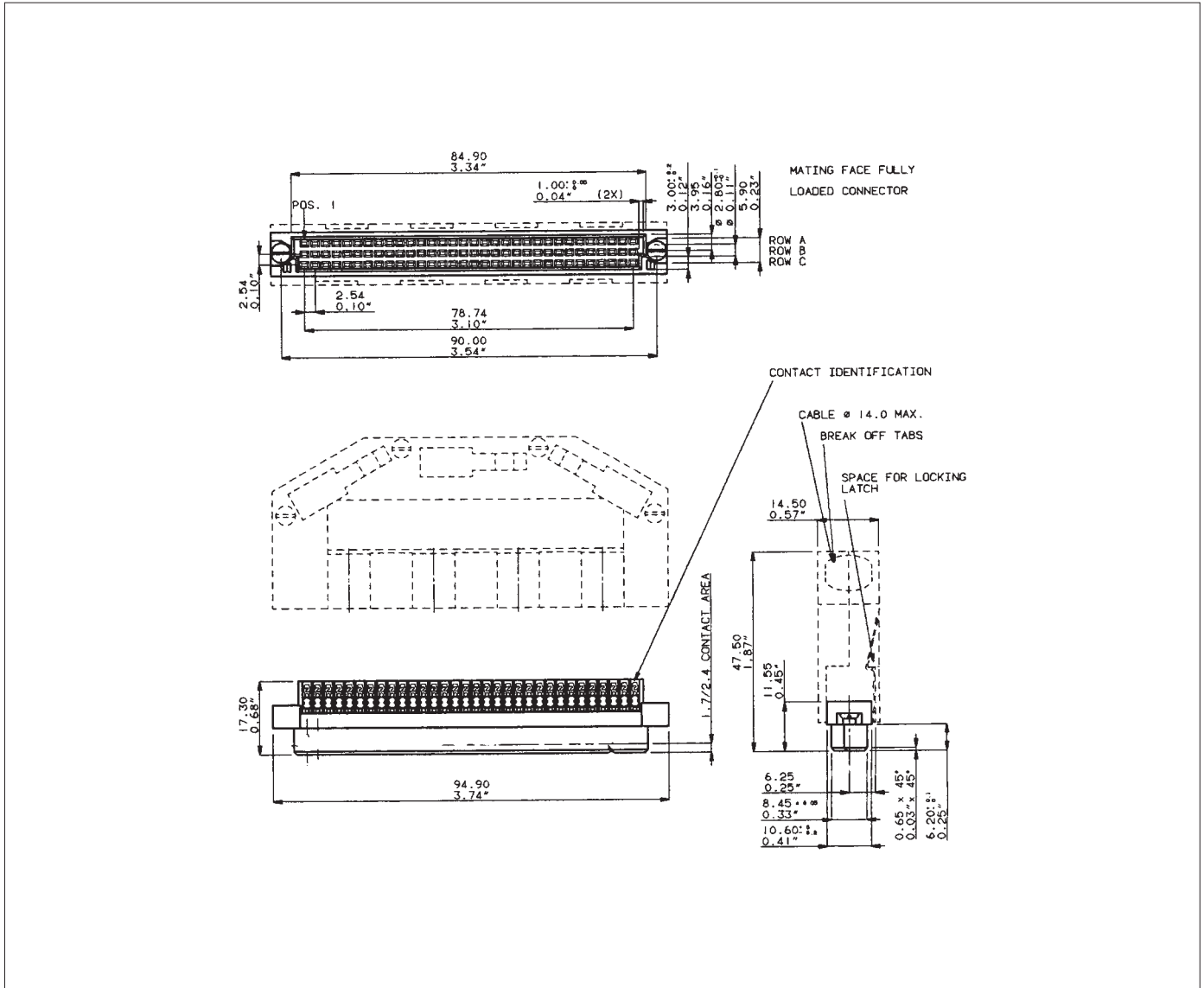




IDC 3x32 cable connector

BPS8 series



Catalogue numbers - standard items

Nbr of contacts	Contact arrang.	Wire gauge	Connector	cover set	connector + standard cover set (standard items)
96 (2 piece)		Awg 30-28	BPS8B96FLD000xx	BPBS8B96CAP1	BPS8B96FLD0C0xx
		Awg 26-24	BPS8B96FLD200xx		BPS8B96FLD2C0xx
64 (1 piece)		Awg 30-28	BPS8B96ACD000xx		BPS8B96ACD0C0xx
		Awg 26-24	BPS8B96ACD200xx		BPS8B96ACD2C0xx

Performance class / plating:

- DIN 41612 class III: replace xx by Z0 in part number.
- DIN 41612 class II: replace xx by Z1 in part number.
- DIN 41612 class I: replace xx by E9 in part number.

Contact plating: selective gold over nickel on contact area, tin-lead on termination.

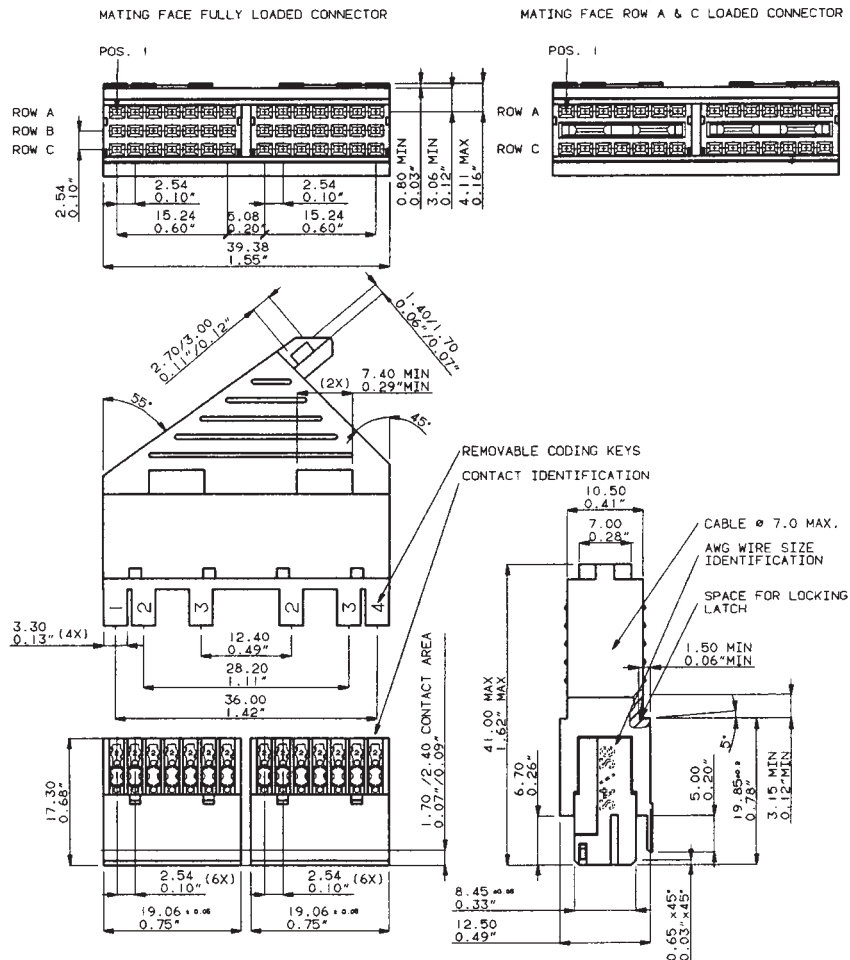
For other cover sets see pages 70-71.

Tooling: see pages 102-103.



IDC 2x(3x7) cable connector

BPS8 series



Catalogue numbers - standard items

Nbr of contacts	Contact arrang.	Wire gauge	Connector	cover set	connector + standard cover set (standard items)
42 (2 piece)		Awg 30-28	(2x) BPS8B21FLD000xx	BPBS8B42P3	BPS8B42FLD0C0xx
		Awg 26-24	(2x) BPS8B21FLD200xx		BPS8B42FLD2C0xx
28 (1 piece)		Awg 30-28	(2x) BPS8B21ACD000xx		BPS8B42ACD0C0xx
		Awg 26-24	(2x) BPS8B21ACD200xx		BPS8B42ACD2C0xx

Performance class / plating:

- DIN 41612 class III: replace xx by Z0 in part number.
- DIN 41612 class II: replace xx by Z1 in part number.
- DIN 41612 class I: replace xx by E9 in part number.

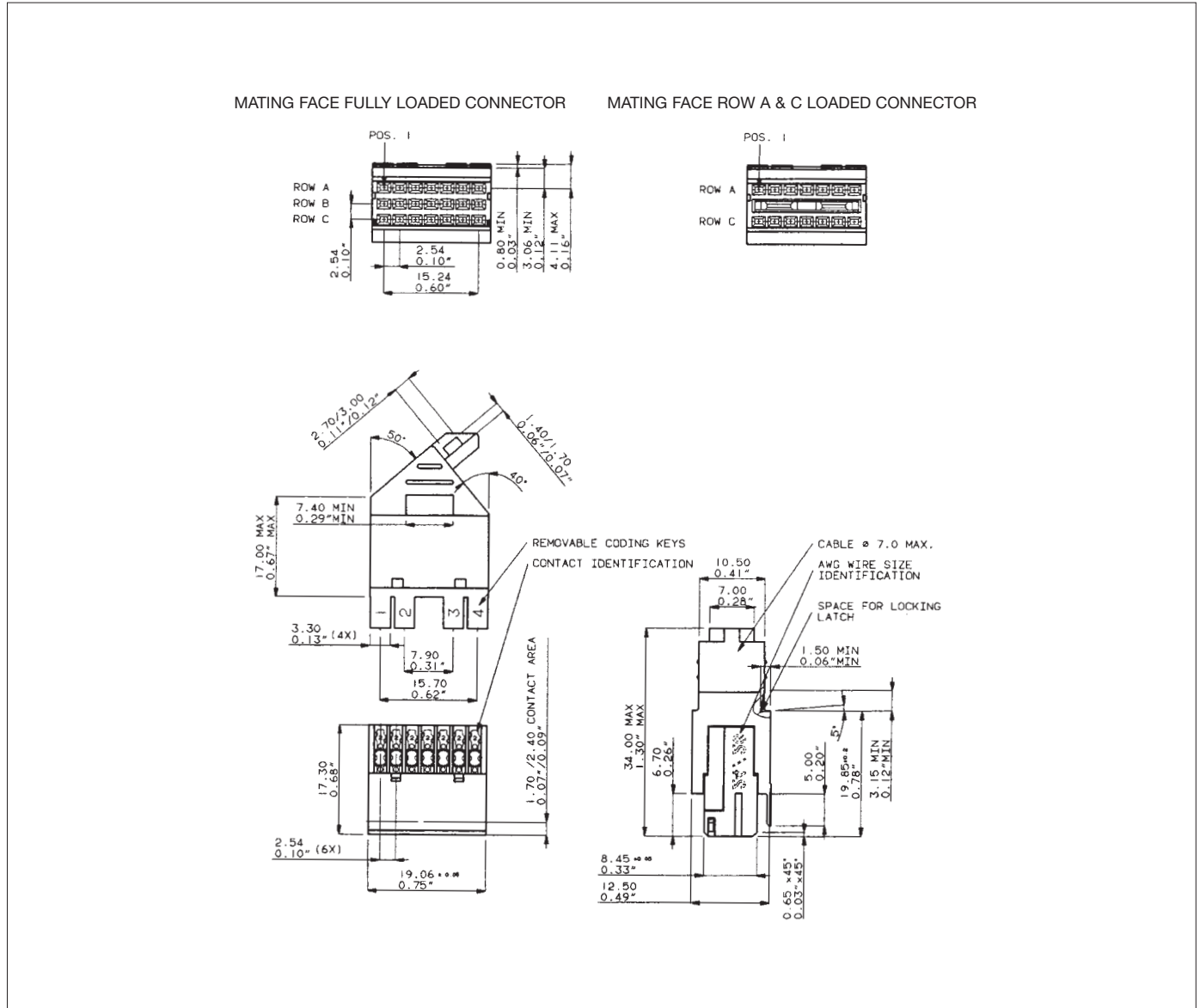
Contact plating: selective gold over nickel on contact area, tin-lead on termination.

Tooling: see pages 102-103.



IDC 3x7 cable connector

BPS8 series



Catalogue numbers - standard items

Nbr of contacts	Contact arrang.	Wire gauge	Connector	cover set	connector + standard cover set (standard items)
21 (2 piece)		Awg 30-28	BPS8B21FLD000xx	BPBS8B21P3	BPS8B21FLD0C0xx
		Awg 26-24	BPS8B21FLD200xx		BPS8B21FLD2C0xx
14 (1 piece)		Awg 30-28	BPS8B21ACD000xx		BPS8B21ACD0C0xx
		Awg 26-24	BPS8B21ACD200xx		BPS8B21ACD2C0xx

Performance class / plating:

- DIN 41612 class III: replace xx by Z0 in part number.
- DIN 41612 class II: replace xx by Z1 in part number.
- DIN 41612 class I: replace xx by E9 in part number.

Contact plating: selective gold over nickel on contact area, tin-lead on termination.

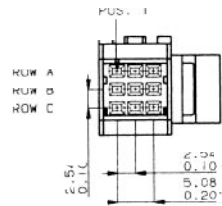
Tooling: see pages 102-103.



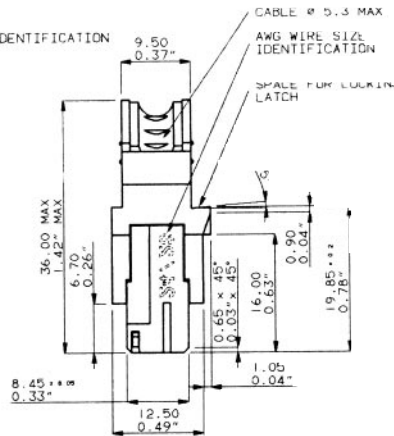
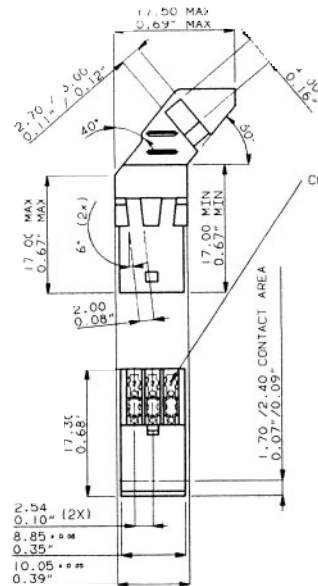
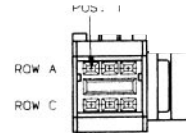
IDC 3x3 cable connector

BPS8 series

MATING FACE FULLY LOADED CONNECTOR



MATING FACE ROW A & C LOADED CONNECTOR



Catalogue numbers - standard items

Nbr of contacts	Contact arrang.	Wire gauge	Connector	cover set	connector + standard cover set
9 (2 piece)		Awg 30-28	BPS8B09FLD000xx	BPBS8B09P3	BPS8B09FLD0C0xx
		Awg 26-24	BPS8B09FLD200xx		BPS8B09FLD2C0xx
6 (1 piece)		Awg 30-28	BPS8B09ACD000x		BPS8B09ACD0C0xx
		Awg 26-24	BPS8B09ACD200xx		BPS8B09ACD2C0xx

Performance class / plating:

- DIN 41612 class III: replace xx by Z0 in part number.
- DIN 41612 class II: replace xx by **Z1** in part number.
- DIN 41612 class I: replace xx by E9 in part number.

Contact plating: selective gold over nickel on contact area, tin-lead on termination.

Tooling: see pages 102-103.