

# Ceramic Surface Mount Crystal

- Small overall package dimensions
- Available in both 2 & 4 pads

**Series CX532**



**Part Numbering Example: CX532 Z - A1 B2 C2 150 - 10.0 D16 - 3**

CX532	Z	A1*	B2	C2	150	10.0	D16	-3
SERIES	ADDED FEATURES	OPERATING TEMP.	STABILITY	TOLERANCE	RESISTANCE	FREQUENCY	LOAD CAP.	OVERTONE
CX532	BLANK = BULK PACK Z = TAPE AND REEL	A0 = -10°C ~ +60°C A1 = -10°C ~ +70°C A2 = -40°C ~ +85°C A3 = -55°C ~ +125°C	B1 = ±100 B2 = ± 50 B3 = ± 30 B4 = ± 10	C1 = ±100 C2 = ± 50 C3 = ± 30 C4 = ± 10	SEE CHART BELOW		D16,18,20,ETC. DS = SERIES	BLANK: FUND. -3: 3rd OT -5: 5th OT -7: 7th OT -BT: BT Cut

*\*NOTE: The above ABC combinations cover basic specification options. We tailor our crystal specifications to meet customer requirements. Please contact our sales department if you don't see exactly what you need.*

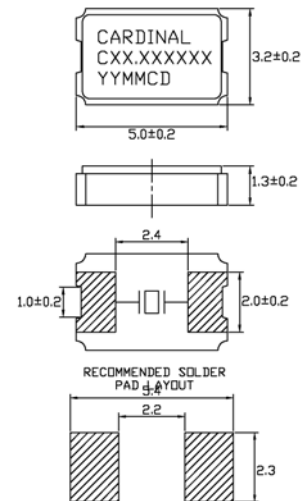
## Specifications:

<b>Frequency Range:</b>	10.000 ~ 45.000 MHz	(Fundamental)
<b>Operating Temperature:</b>	-10°C ~ +60°C	Standard
<b>Frequency Stability:</b>	±100 ppm ± 50 ppm ± 30 ppm	Standard
<b>Frequency Tolerance:</b> (at 25°C)	±100 ppm ± 50 ppm ± 30 ppm	Standard
<b>Load Capacitance:</b>	Standard 16, 18 pF or series. Other values are available.	
<b>Resistance:</b>	Maximum resistance corresponds to frequency. See chart below.	
<b>Standard:</b>	Mode: Fundamental or 3rd Overtone Shunt Capacitance: 7 pF Max Aging: ± 5 ppm/year Drive Level: 100 µW Max	
<b>Option:</b>	Packaging: Tape and Reel	

## Resistance Chart: All resistances are maximum

EQUIVALENT SERIES RESISTANCE (ESR), MODE OF OPERATION (MODE)		
Frequency MHz	ESR (Ω)	Oscillation Mode
10.0 ~ 11.999	150	Fundamental
12.0 ~ 15.999	100	Fundamental
16.0 ~ 29.999	70	Fundamental
30.0 ~ 45.000	50	Fundamental

### CX532



### CX532A

