

**SPECIFICATIONS**

**D-SUB Connector**

**Mechanical**

**Contact Engagement Force** : 0.34 Kgf/ Pin max.  
**Contact Separation Force** : 0.021 Kgf/ Pin min.  
**Durability** : 500 Cycles

**Electrical**

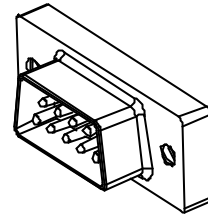
**Voltage Rating**: 240V  
**Current Rating**: 1A  
**Contact Resistance**: 25 mW max.  
**Dielectric Withstanding Voltage**: 750V AC/1 min.  
**Insulation Resistance**: 5000MW

**Physical**

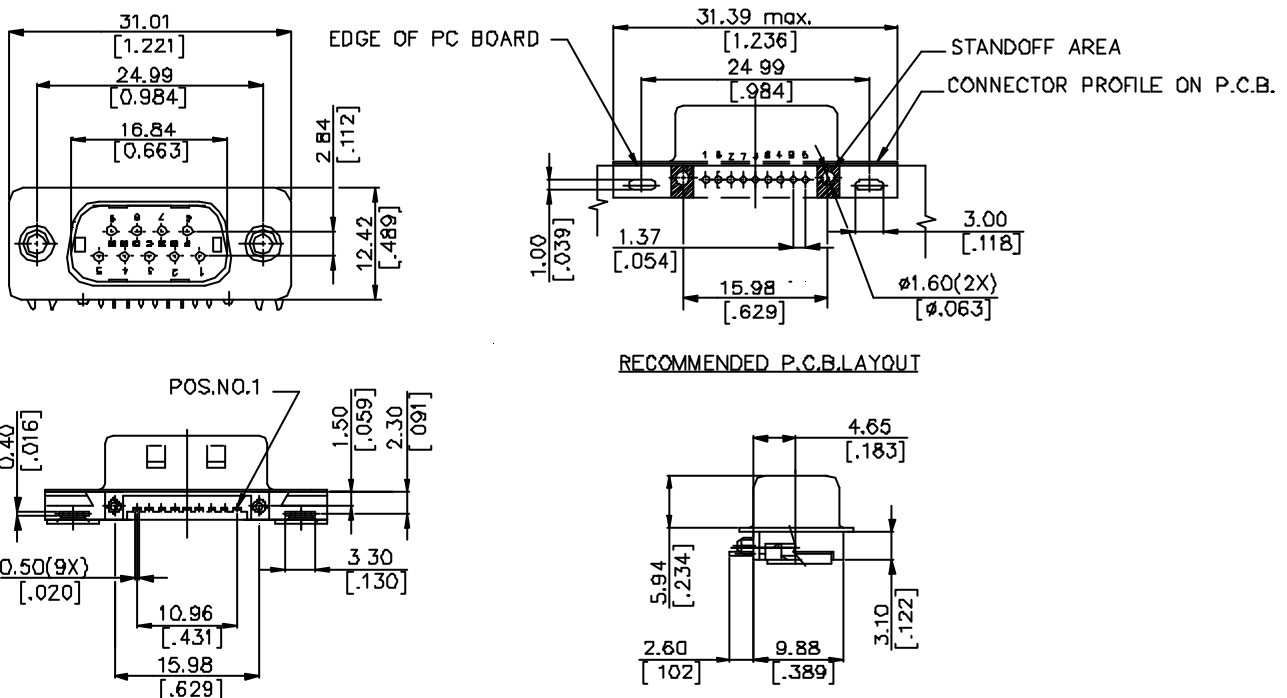
**Housing**: Thermoplastic, UL 94V-0 rated in Black/PC99 Color  
**Contact**: Copper alloy  
**Plating**: See "ORDERING INFORMATION"  
**Solder Pad**: Copper alloy  
**Operating Temperature**: -55 to +105

**DZ Series**

**Right Angle, T/H, Male Type**  
**9 Pos.**  
**Center Height 4.65 mm**  
**Recommended PCB's Thickness 1.6 mm**



**DRAWING**



**ORDERING INFORMATION**

PRODUCT NO. : **DZ1019--H\*,WH\*--(HT/TR)**

D-SUB Through Hole Series

Terminator Type  
1 = Right Angle

Contact Design Type  
0 = Male

NO. of Contact Position  
1 = 9 POS.

Packing Code

Extension Code

Contact Area Plating  
1= Gold Flash  
6= 10u" Gold  
7= 15u" Gold

Body Length

DZ101B*--WH31	TEAL
DZ1019*--H31	BLACK
P/N	COLOR