

SPECIFICATIONS

Friction Header Connector

Mechanical

Contact Retention Force: 1.36 KGF Min.
Durability: 500 Cycles

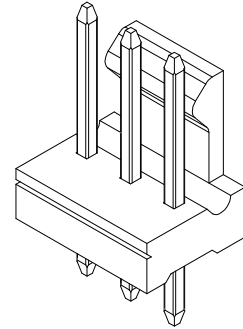
HF08 Series
Friction T/H Type
2.54mm [.100"] Pitch

Electrical

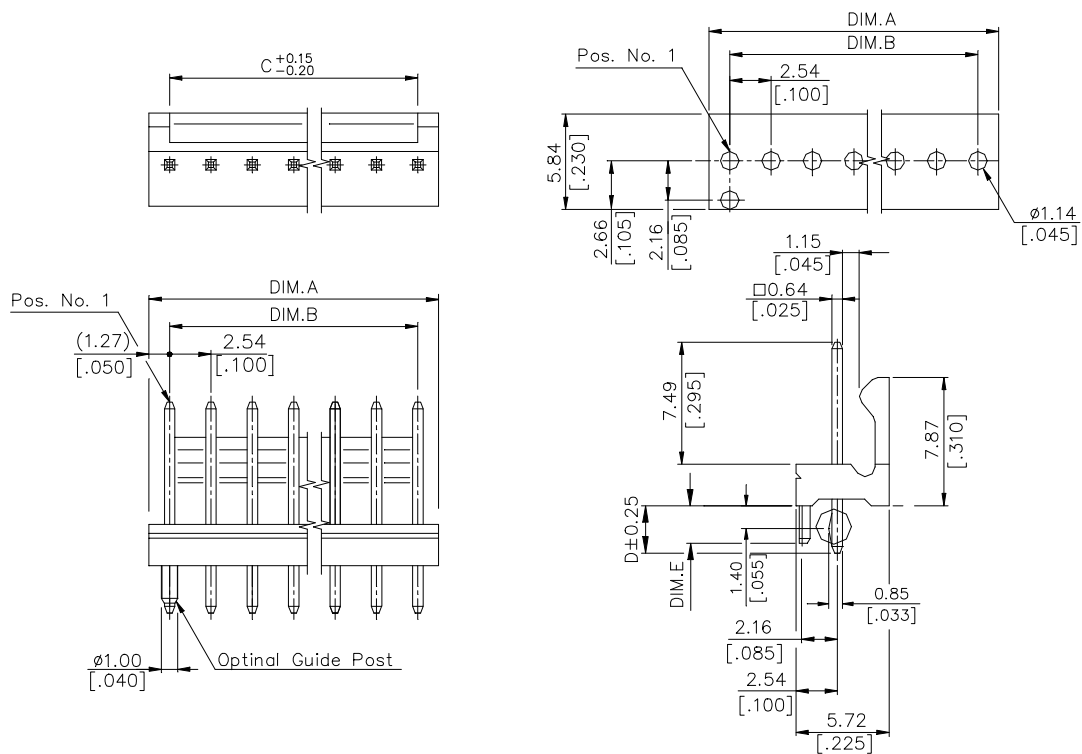
Voltage Rating: 250V
Current Rating: 3.0A per pin min.
Contact Resistance: 30mW max.
Dielectric Withstanding Voltage: 750V AC
Insulation Resistance: 1000MW min.

Physical

Housing: Thermoplastic, Glass Filled , UL94V-0 Rating
Contact: Brass
Plating: See "ORDERING INFORMATION"
Operating Temperature: -40 to +105

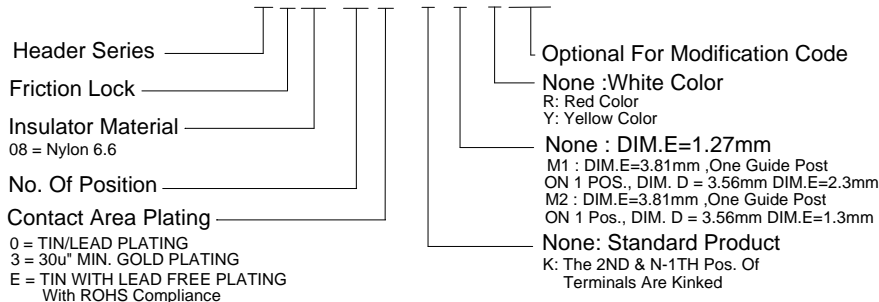


DRAWING



ORDERING INFORMATION

PRODUCT NO.: HF08 * * * - * * * * *



See attachment

HF0816*- *****	16	40.64 [1.60]	38.10 [1.50]	38.10 [1.50]	35.56 [1.40]
HF0815*- *****	15	38.10 [1.50]	35.56 [1.40]	35.56 [1.40]	33.02 [1.30]
HF0814*- *****	14	35.56 [1.40]	33.02 [1.30]	33.02 [1.30]	30.48 [1.20]
HF0813*- *****	13	33.02 [1.30]	30.48 [1.20]	30.48 [1.20]	27.94 [1.10]
HF0812*- *****	12	30.48 [1.20]	27.94 [1.10]	27.94 [1.10]	25.40 [1.00]
HF0811*- *****	11	27.94 [1.10]	25.40 [1.00]	25.40 [1.00]	22.86 [.90]
HF0810*- *****	10	25.40 [1.00]	22.86 [.90]	22.86 [.90]	20.32 [.80]
HF0809*- *****	9	22.86 [.90]	20.32 [.80]	20.32 [.80]	17.78 [.70]
HF0808*- *****	8	20.32 [.80]	17.78 [.70]	17.78 [.70]	15.24 [.60]
HF0807*- *****	7	17.78 [.70]	15.24 [.60]	15.24 [.60]	12.70 [.50]
HF0806*- *****	6	15.24 [.60]	12.70 [.50]	12.70 [.50]	10.16 [.40]
HF0805*- *****	5	12.70 [.50]	10.16 [.40]	10.16 [.40]	7.62 [.30]
HF0804*- *****	4	10.16 [.40]	7.62 [.30]	7.62 [.30]	5.08 [.20]
HF0803*- *****	3	7.62 [.30]	5.08 [.20]	5.08 [.20]	2.54 [.10]
HF0802*- *****	2	5.08 [.20]	2.54 [.10]	2.54 [.10]	/
PART NO.	POS.	DIM. A	DIM. B	DIM. C	DIM. C Only For M1

◎ Modification Code ◎

Code	Description
None	Standard Product, Dim. D = 3.56mm
C1	One Guide Post On 1 Pos. Dim. D = 2.30mm Dim.F=2.3
D5	The 3rd Pin Omitted, Dim. D = 3.56mm
P0	The 4rd Pin Omitted, Dim. D = 3.56mm
P1	One Guide Post On 1 Pos. Dim. D = 3.56mm Dim.F=2.3
P3	The 2rd Pin Omitted, Dim. D = 3.56mm
Q3	One Guide Post On 3 Pos. Dim. D = 3.56mm Dim.F=2.3
C2	One Guide Post On 1 Pos. Dim. D = 2.30mm Dim.F=1.3
C3	One Guide Post On 2 Pos. Dim. D = 3.56mm Dim.F=1.3
P2	One Guide Post On 1 Pos. Dim. D = 3.56mm Dim.F=1.3