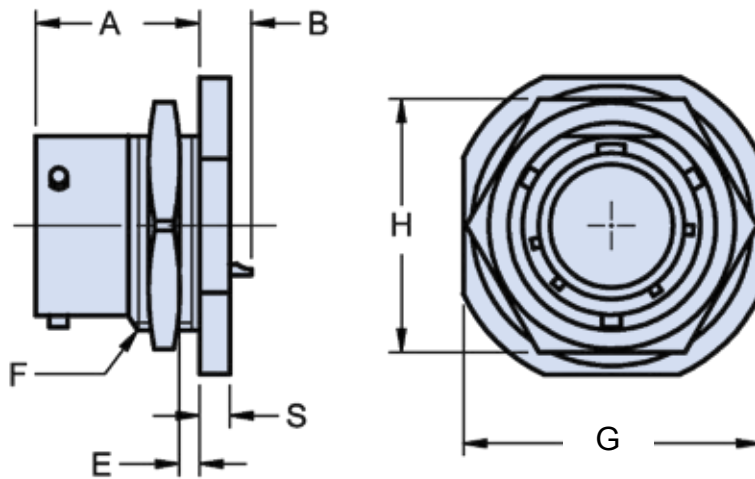
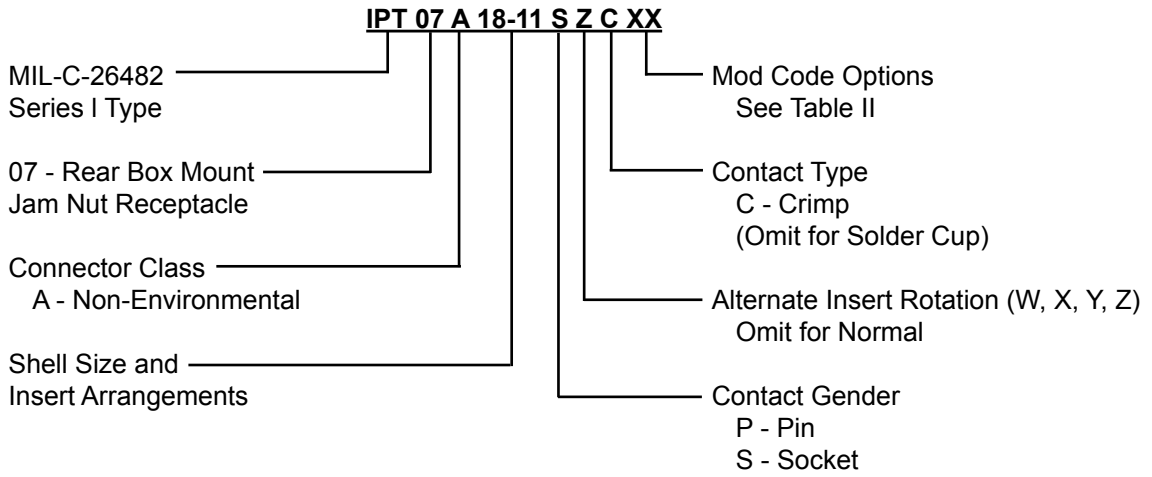


IPT 07 A Rear Box Mount Jam Nut Receptacle Connector



APPLICATION NOTES

1. Rear box mount jam nut receptacle; No accessory threads.
2. Connector Class "A" (non-environmental).
3. Standard materials configuration consists of aluminum alloy with stainless steel coupling pins.
4. Standard contact material consists of copper alloy with gold plating over nickel.
5. Standard insert is high insulation synthetic rubber.

IPT 07 A
Rear Box Mount Jam Nut
Receptacle Connector



IPT Series
 Bayonet Lock
 Connectors

TABLE I: DIMENSIONS

Shell size	A ±0.4	B ±1	E min.	Max.	F Thread in inches	G ±0.4	H ±0.4	S ±0.4
8	17.70	4.8	1.6	3.2	.5625 - 24 UNEF	23.8	19	3.2
10	17.70	4.8	1.6	3.2	.6875 - 24 UNEF	27.0	22	3.2
12	17.70	4.8	1.6	3.2	.8750 - 20 UNEF	31.7	27	3.2
14	17.70	4.8	1.6	3.2	1.0000 - 20 UNEF	34.9	30	3.2
16	17.70	4.8	1.6	3.2	1.1250 - 18 UNEF	38.1	33	3.2
18	17.70	4.8	1.6	3.2	1.2500 - 18 UNEF	41.3	36	3.2
20	22.45	5.6	1.6	6.3	1.3750 - 18 UNEF	46.0	40	4.0
22	22.45	5.6	1.6	6.3	1.5000 - 18 UNEF	49.2	43	4.0
24	23.30	4.8	1.6	6.3	1.6250 - 18 UNEF	52.4	46	4.0

TABLE II: MODIFICATION CODES

Shell Finish (Omit for Standard Cad/Olive Drab Finish)	Assembly with Accessories (Omit for Standard Version)
F2 - Bright Nickel Plating (RoHs)	Key Polarization (Omit for N version) W, X, Y, Z = Alternates
F6 - Black Electrodeposited Paint (RoHs)	NXXX - Custom Designed Connector
F7 - Black Zn-Co Plating (RoHs)	
F8 - Olive Drab Zn-Co Plating	

STANDARD FINISHES (For QQ-A-591 Aluminum Shells)

Requirements	IAW RoHS			Not IAW RoHS	
	F2 Electrolytic Nickel	F6 Black Non Conductive	F7 Black Conductive	G3 Cadmium with Olive Drab Passivation	F8 Zinc Cobalt with Olive Drab Passivation
Thermal Shock	-40°C + 100°C	-55°C + 125°C	-55°C + 125°C	-55°C + 125°C	-40°C + 100°C
Salt Spray After Thermal Shock	24 hour	500 hour	500 hour	500 hour	200 hour
Electical Conductivity	Very Good	NO	Very Good	Very Good	Good
Abrasion Resistance	Very Good	Very Good	Good	Very Good	Good