

COMMERCIAL GRADE LED LIGHTED AND WATERTIGHT SEALED

The OTTO LP9 Lighted Dome series is a quality precision switch designed for use in panels, control grips, instruments, heavy equipment and other demanding applications where attractive, rugged, lighted pushbutton switches are required.

The LP9 series offers a positive tactile feedback signaling the operator when the switch is operated with the added benefit of reliable LED illumination. The LP9 series offers four button versions; flush and raised profile with either a glossy or matte finish. Also comes with a threaded case for hex nut mounting while providing a short behind-panel depth.

The LP9 series is constructed to meet the IP68 watertight seal. Expect a minimum of 25, 0000 operations at full rated load of 5 amperes resistive or 3 amperes inductive; up to 500,000 operations in low level switching.

The LP9 series are momentary snap action double break switches, available in standard and low operate forces. The LED is available in 5 colors and has the ability to accommodate 2 and 12 VDC



Flush Dome

Raised Dome

Quality Features:

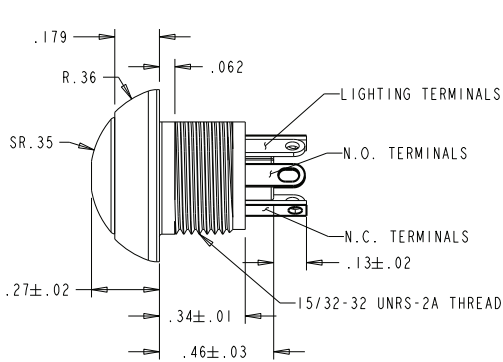
- **Watertight per IP68 (submersible to 1 meter water pressure)**
- **LED lighted with the ability to accommodate 2 and 12 VDC**
- **LED available in 5 colors**
- **Flush and raised button style**
- **Matte and glossy button finish**
- **Positive tactile feedback contact transfer**
- **Withstands extreme shock and vibration**
- **Short behind panel depth**

Standard Characteristics/Ratings:			
OPERATIONAL:			
Mechanical Life:	500,000 cycles		
Seal:	Watertight per IP68		
Operating Force:	Standard 1.7 ± .5 lbs. Low Force: 12 ± 4oz		
Total Travel:	.080 max		
Temperature Range:	-55°C to + 85°C		
Button:	Thermoplastic		
Case:	Thermoplastic		
Lightpipe:	Thermoplastic		
Mounting Hardware:	Hexnut, lockwasher and panel seal Torque hexnut within 4 in/oz min and 10 in/oz max		
Contacts:	Gold plated silver alloy		
ELECTRICAL RATINGS: (at 28 VDC or 115 VAC)			
LOAD	N.O./N.C.	CYCLES	OPERATING FORCE
Resistive	5A	25,000	Standard
Inductive	3A	25,000	Standard
Resistive	500mA	500,000	Standard
Resistive	200mA	500,000	Low or Standard
DWV	1050 VRMS		

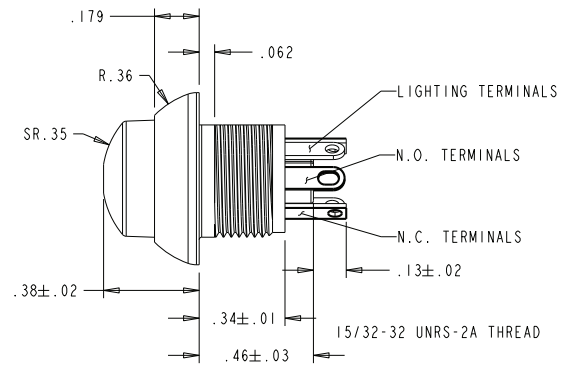
LIGHTED SEALED DOME PUSHBUTTONS

LP9
LIGHTED
PUSHBUTTON

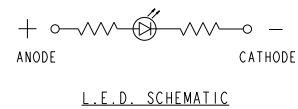
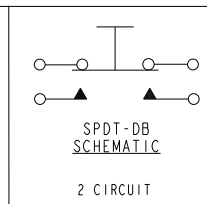
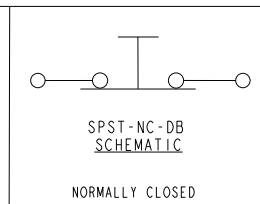
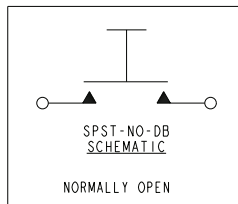
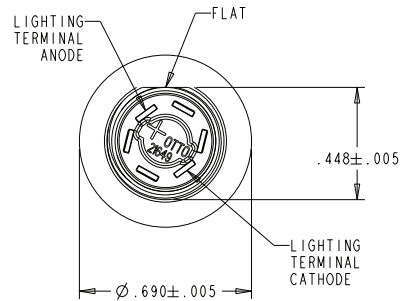
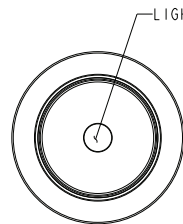
COMMERCIAL GRADE LED LIGHTED AND WATERTIGHT SEALED



FLUSH BUTTON - ROUND THREADED



RAISED BUTTON - ROUND THREADED



LP9 Part Number Code

Button Style	Case Style	Terminal Style	Circuit Form	Switch Action	Light Source	Case Color	Button Color
1. Flush	1. Round/Threaded	1. Solder	1. N.O.	1. Standard	A. 2V Red LED	1. Red	1. Red
2. Raised			2. N.C.	Snap-Action	B. 2V Green LED	2. Black	2. Black
3. Flush Matte			3. 2 Circuit	2. Low Force	C. 2V Amber LED	3. Orange**	3. Orange**
4. Raised Matte				Snap-Action	D. 2V Blue LED	4. Yellow**	4. Yellow**
					E. 2V White LED	5. Green**	5. Green**
					F. 12V Red LED	6. Blue**	6. Blue**
					G. 12V Green LED	7. Violet**	7. Violet**
					H. 12V Amber LED	8. Gray**	8. Gray**
					J. 12V Blue LED	9. White	9. White
					K. 12V White LED		

** Minimum quantity required

PUSHBUTTONS