

## SPECIFICATIONS

## FBI Connector

### Mechanical

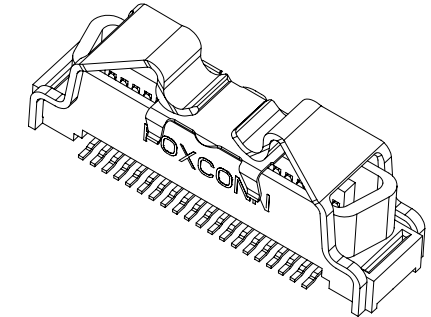
**Contact retention Force:** 250g min.  
**Mating Force:** 100g max. Per Contact Pair  
**Unmating Force:** 15g min. Per Contact Pair  
**Durability:** 500 Cycles

### Electrical

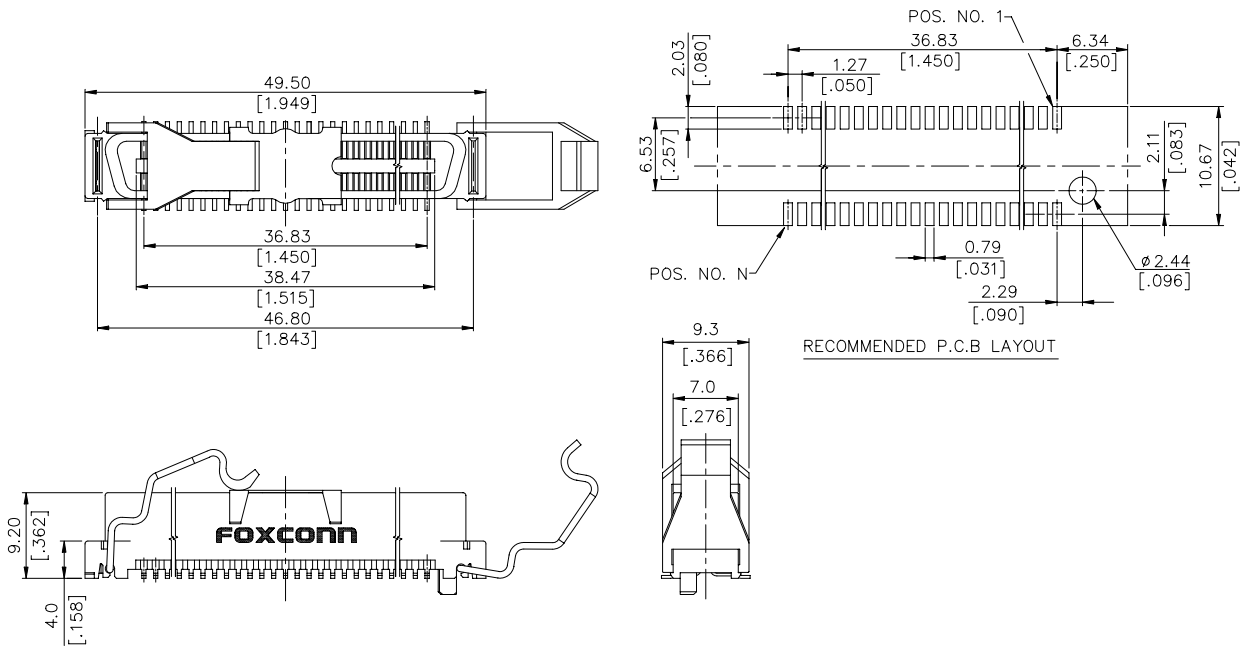
**Voltage Rating:** 30V  
**Current Rating:** 1.0A  
**Contact Resistance:** 30mΩ max.  
**Dielectric Withstanding Voltage:** 500V AC  
**Insulation Resistance:** 1000MΩ

### Physical

**Housing:** Thermoplastic, UL 94V-0 rated in Black Color  
**Contact:** Phosphor Bronze  
**Plating:** See "ORDERING INFORMATION"  
**Metal Latch and Cover:** Stainless Steel  
**Operating Temperature:** -40°C to +105°C



## DRAWING



## ORDERING INFORMATION

PRODUCT NO.: LZ 12 30 3 - L12 R

FBI ————  
 PLUG ————  
 Modification Code  
 L12R=With Latch(Tape & Reel Packing)  
 Contact Area Plating  
 3=30u" Gold  
 No. of Pos.  
 30=60 Pos.