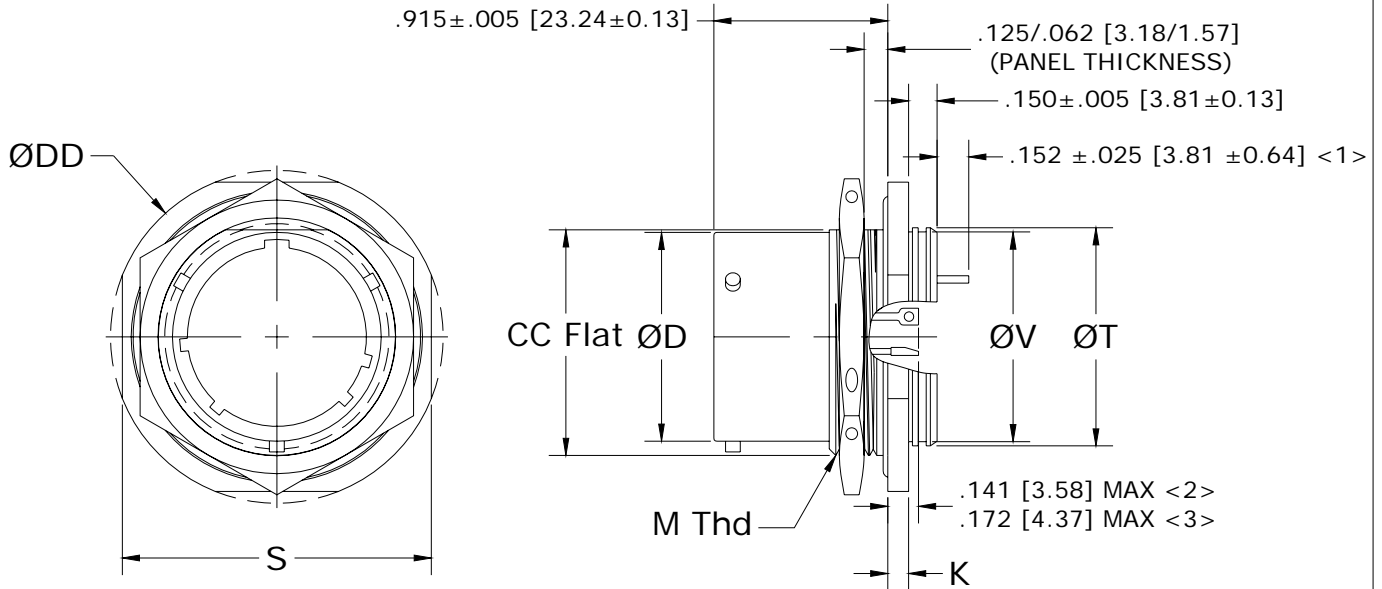


MS27470

Jam Nut Mount Hermetic Receptacle

MIL-DTL-38999

Series I Receptacles



SHELL SIZE	CC Flat +.000/-0.10 [+0.00/-0.25]	ØD +.001/-0.005 [+0.03/-0.13]	ØDD ±.016 [±0.41]	K ±.016 [±0.41]	M Thd CLASS 2A UNEF	S ±.016 [±0.41]	ØT +.011/-0.000 [+0.28/-0.00]	ØV ±.011 [±0.28]
9	.655 [16.64]	.572 [14.53]	1.188 [30.18]	.109 [2.77]	.6875-24	1.062 [26.97]	.642 [16.31]	.602 [15.29]
11	.755 [19.18]	.700 [17.78]	1.375 [34.93]	.109 [2.77]	.8125-20	1.250 [31.75]	.766 [19.46]	.726 [18.44]
13	.942 [23.93]	.850 [21.59]	1.500 [38.10]	.109 [2.77]	1.0000-20	1.375 [34.93]	.892 [22.66]	.852 [21.64]
15	1.066 [27.08]	.975 [24.77]	1.625 [41.28]	.109 [2.77]	1.1250-18	1.500 [38.10]	1.018 [25.86]	.978 [24.84]
17	1.191 [30.25]	1.100 [27.94]	1.750 [44.45]	.109 [2.77]	1.2500-18	1.625 [41.28]	1.142 [29.01]	1.102 [27.99]
19	1.316 [33.43]	1.207 [30.66]	1.938 [49.23]	.140 [3.56]	1.3750-18	1.812 [46.02]	1.268 [32.21]	1.268 [32.21]
21	1.441 [36.60]	1.332 [33.83]	2.062 [52.37]	.140 [3.56]	1.5000-18	1.938 [49.23]	1.392 [35.36]	1.352 [34.34]
23	1.566 [39.78]	1.457 [37.01]	2.188 [55.58]	.140 [3.56]	1.6250-18	2.062 [52.37]	1.518 [38.56]	1.478 [37.54]
25	1.691 [42.95]	1.582 [40.18]	2.312 [58.72]	.140 [3.56]	1.7500-18	2.188 [55.58]	1.642 [41.71]	1.602 [40.69]

- <1> = CONTACT STYLE "C" ONLY
- <2> = CONTACT STYLES "P" AND "X" ONLY
- <3> = CONTACT STYLES "S" AND "Z" ONLY

DIMENSIONS ARE IN INCHES [MILLIMETERS]