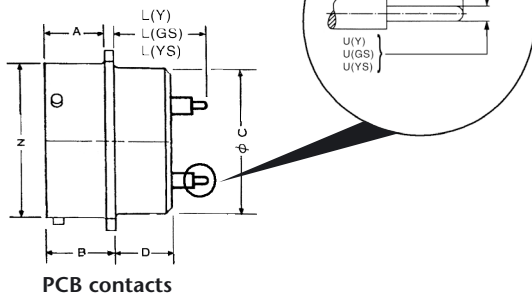


PT02Y/45102Y
PT02GS
PT02YS/45102YS

PCB receptacles

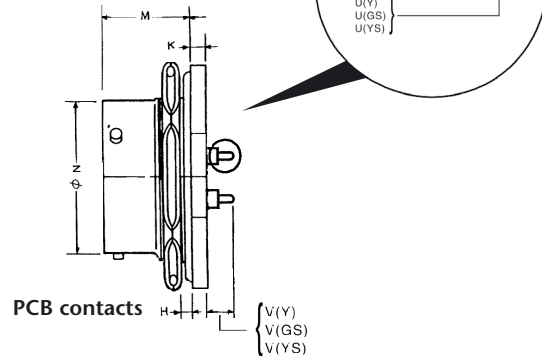


PCB contacts

Custom designed flexible circuit possibility.
 Please consult us.

PT07Y/45107Y
PT07GS
PT07YS/45107YS

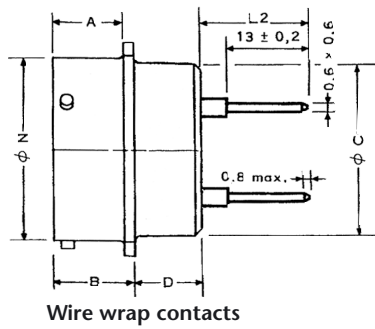
PCB receptacles



PCB contacts

PT02MW - 45102MW

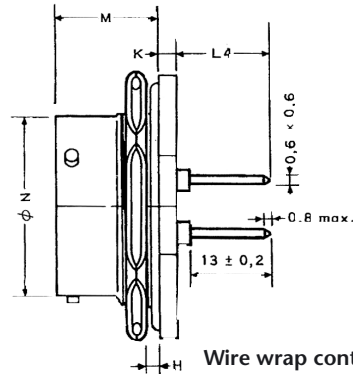
Wire wrap receptacles



Wire wrap contacts

PT07MW - 45107MW

Wire wrap receptacles



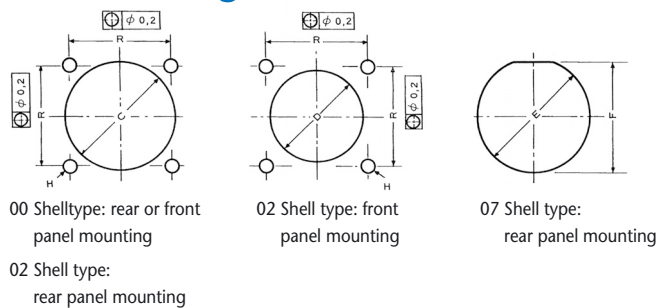
Wire wrap contacts

Size	A +0.25 0	B max.	C max.	D	H min.	H max.	K ±0.3	L2 max.	L4 max.	L(Y) +0.3 -0.5	L(GS) ±0.6	L(YS) +1.05 -1.17	M max.	N +0.02 -0.13
8	10.95	13	11.4	6.35	1.57	3.17	3.2	17	14.8	12.35	15.0	15.40	18.3	12.02
10	10.95	13	14.6	6.35	1.57	3.17	3.2	17	14.8	12.35	15.0	15.40	18.3	14.99
12	10.95	13	17.8	6.35	1.57	3.17	3.2	17	14.8	12.35	15.0	15.40	18.3	19.05
14	10.95	13	20.9	6.35	1.57	3.17	3.2	17	14.8	12.35	15.0	15.40	18.3	22.23
16	10.95	13	24.1	6.35	1.57	3.17	3.2	17	14.8	12.35	15.0	15.40	18.3	25.40
18	10.95	13	27.3	6.35	1.57	3.17	3.2	17	14.8	12.35	15.0	15.40	18.3	28.58
20	14.12	17	30.5	8.74	1.57	6.35	4	17.4	16.1	15.18	17.1	17.22	23.1	31.75
22	14.12	17	33.6	8.74	1.57	6.35	4	17.4	16.1	15.18	17.1	17.22	23.1	34.93
24	14.96	17.8	36.8	8.74	1.57	6.35	4	16.6	15.3	14.44	16.2	17.07	23.9	38.10

Size	T(Y) +0.2 -0	T(GS) ±0.1	T(YS) +0.2 -0	U(Y) +0 -0.1	U(GS) ±0.03	U(YS) +0.1 -0	V(Y) max.	V(GS) ±0.9	V(YS) ±1.25
8	3	4.5	7	0.7	0.65	0.6	4.6	6.8	8.1
10	3	4.5	7	0.7	0.65	0.6	4.6	6.8	8.1
12	3	4.5	7	0.7	0.65	0.6	4.6	6.8	8.1
14	3	4.5	7	0.7	0.65	0.6	4.6	6.8	8.1
16	3	4.5	7	0.7	0.65	0.6	4.6	6.8	8.1
18	3	4.5	7	0.7	0.65	0.6	4.6	6.8	8.1
20	3	4.5	7	0.7	0.65	0.6	5.08	7.2	9.32
22	3	4.5	7	0.7	0.65	0.6	5.08	7.2	9.32
24	3	4.5	7	0.7	0.65	0.6	5.0	6.5	8.48

Please consult us for PCB
 drilling dimensions

Panel drilling



00 Shell type: rear or front
 panel mounting
 02 Shell type:
 rear panel mounting

Shell size	C min.	D +0 -0.3	E +0.3 -0	F +0 -0.3	H	R
8	14.3	13	14.5	13.8	3.5	15.10
10	17.3	16.2	17.7	17	3.5	18.26
12	21.8	19.4	22.5	21.1	3.5	20.62
14	25	22.5	25.6	24.3	3.5	23.01
16	28.1	25.7	28.8	27.5	3.5	24.61
18	31.3	28.9	32	30.7	3.5	26.97
20	34.5	32.1	35.2	33.9	3.5	29.36
22	37.7	35.2	38.3	37.1	3.5	31.75
24	40.9	38.4	41.5	40	4	34.92