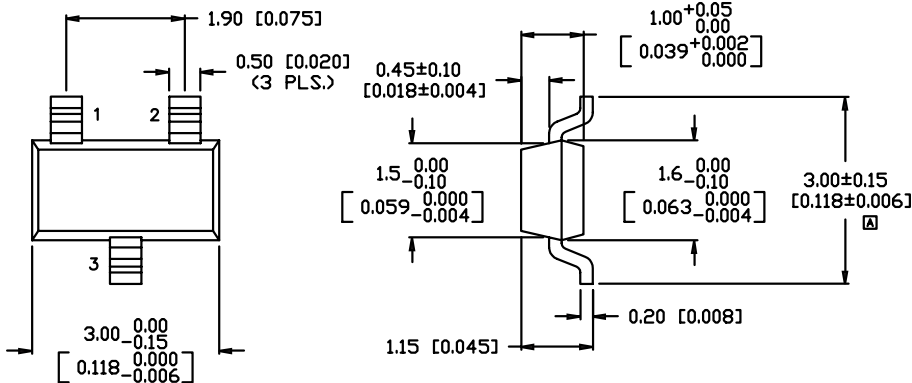


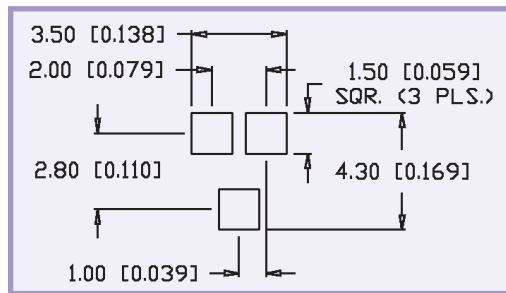
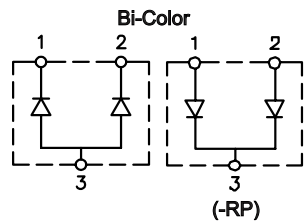
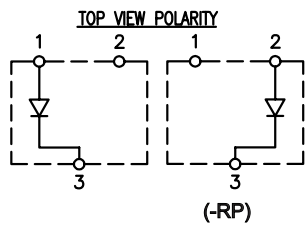
SSL-LX15XC(-RP)-TR

Transfer Molded Single or Dual Color



Features/Options

- ▶ Epoxy-Lead Frame SOT-23 Molded Package
- ▶ Lead Frame Soldering Reliability
- ▶ State-of-the-Art LED Die
- ▶ Built-In Lens for Focused Emission
- ▶ Dual or Single Chip Circuitry



Applications/Uses

- ▶ Keyboard/Keypad Illumination
- ▶ Circuit Fault Indicators
- ▶ Position Indicators
- ▶ Display or Character Backlighting
- ▶ Control Board Indicators
- ▶ Medical Diagnostic Instruments

SOT23(-RP) Package Style - Standard Brightness

Transfer Molded Single or Dual Color

Lumex Part Number	Die Material	Emitted Color	Peak (nm)	Lens	Axial Intensity @ If=20mA	V _f Typ @ If=20mA	V _f Max @ If=20mA	View Angle° 2θ	Reel Size (pcs)	Reflow Profile Pg. 134	Tape Specs Pg. 134
SSL-LX15AC(-RP)-TR	GaAsP	Amber	605	Clear	10	2.0	2.5	140	3000	Figure 2	Figure A
SSL-LX15GC(-RP)-TR	GaP	Green	565	Clear	10	2.2	2.6	140	3000	Figure 2	Figure A
SSL-LX15IC(-RP)-TR	GaAsP	High Intensity Red	635	Clear	10	2.0	2.5	140	3000	Figure 2	Figure A
SSL-LX15SRC(-RP)-TR	GaAlAs	Super Red	660	Clear	20	1.7	2.2	140	3000	Figure 2	Figure A
SSL-LX15YC(-RP)-TR	GaAsP	Yellow	585	Clear	10	2.1	2.5	140	3000	Figure 2	Figure A
SSL-LX15GGC(-RP)-TR	GaP/GaP	Green/Green	565/565	Clear	10	2.2	2.6	140	3000	Figure 2	Figure A
SSL-LX15IGC(-RP)-TR	GaAsP/GaP	Red/Green	635/565	Clear	10	2.0/2.2	2.5/2.6	140	3000	Figure 2	Figure A
SSL-LX15IIC(-RP)-TR	GaAsP/GaAsP	Red/Red	635/635	Clear	10	2.0	2.5	140	3000	Figure 2	Figure A
SSL-LX15YGC(-RP)-TR	GaAsP/GaP	Yellow/Green	585/565	Clear	10	2.1/2.2	2.5/2.6	140	3000	Figure 2	Figure A



USA/Canada 1-800-278-5666
Asia +886-3-5821124



www.lumex.com



USA/Canada 1-847-359-8904
Asia +886-3-5821154