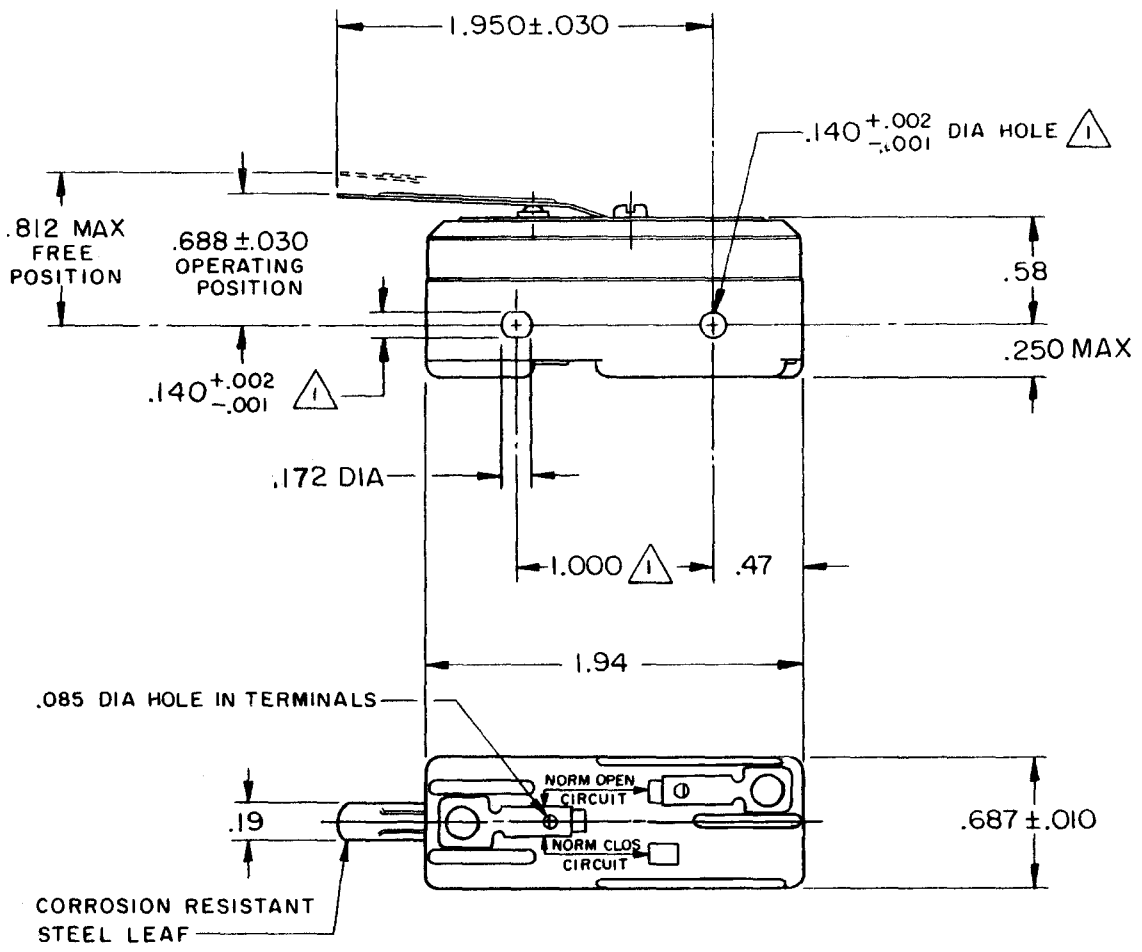


REVISIONS
 A CO17410
 GCH 19 AUG 63
 B CO46304
 WJM 12 DEC 79
 CO 38037
 SMA 1 OCT 85
 D CO-77392
 DAW 15 AUG 94
 E CO93346
 DLT 22 SEP 98
 F CO-94212-K
 DLT 5 NOV 99
 DRAWN DAW
 CHECK 29 AUG 63
 CHECK 19 AUG 63
 GCH 19 AUG 63
 DRAWN FORMTEK
 FO-50376



NOTE
 MOUNTING HOLES WILL ACCEPT PINS OR SCREWS
 OF .139 MAX DIA ON 1.000 ± .002 CENTERS

THIS DRAWING COVERS A PROPRIETARY ITEM AND IS THE PROPERTY OF MICRO SWITCH, A DIVISION OF MINNEAPOLIS-HONEYWELL REGULATOR CO. THIS DRAWING IS NOT TO BE COPIED OR USED WITHOUT THE APPROVAL OF MICRO SWITCH.

CHARACTERISTICS	
OPERATING FORCE	-----5 OZ MAX
RELEASE FORCE	----- 1/2 OZ MIN
DIFFERENTIAL TRAVEL	----- .050 MAX
DO NOT OVERTRAVEL MORE THAN	----- .060

ELECTRICAL DATA	
CONTACT ARRANGEMENT S P N O	
UNDERWRITERS' LAB. INC. LISTED RATING	
-L96-	15 A - 125, 250, OR 480 VAC 1/2 A - 125 VDC; 1/4 A - 250 VDC 1/8 HP - 125 VAC; 1/4 HP - 250 VAC
-L288-	
-L299-	
-L306-	
	16A 250V ~ T85 5E4

SCALE FULL	
DO NOT SCALE PRINT	
UNLESS OTHERWISE NOTED	
DIMENSIONS ARE IN INCHES	
TOLERANCES ARE:	
ONE PLACE (.0)	± .030
TWO PLACE (.00)	± .015
THREE PLACE (.000)	± .005
ANGLES	±
WEIGHT .050 LB	