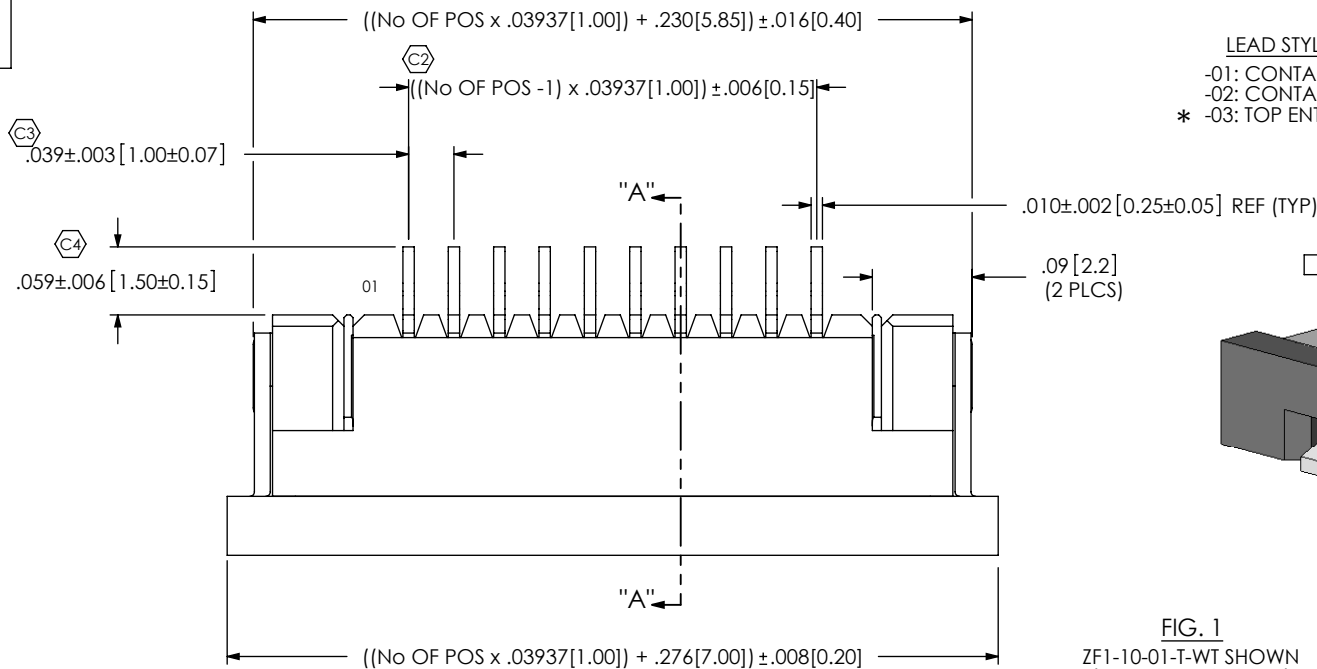


DO NOT SCALE FROM THIS PRINT



ZF1-XX-XX-XX-WT-XX

No OF POSITIONS  
-04 THRU -30

LEAD STYLE  
-01: CONTACT BOTTOM  
-02: CONTACT TOP  
\* -03: TOP ENTRY (SEE SHEET 3)

OPTIONS  
-TR: TAPE AND REEL (SEE SHEET 4, FIG. 3)

WELD TAB

PLATING SPECIFICATION  
-T: PURE TIN, MATTE FINISH  
-TM: PURE TIN, MATTE FINISH

\* -03 LEAD STYLE AVAILABLE TO EXISTING CUSTOMERS ONLY AS OF REVISION P

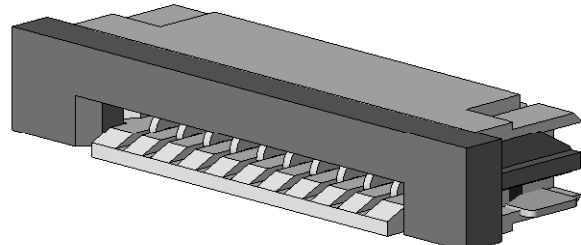
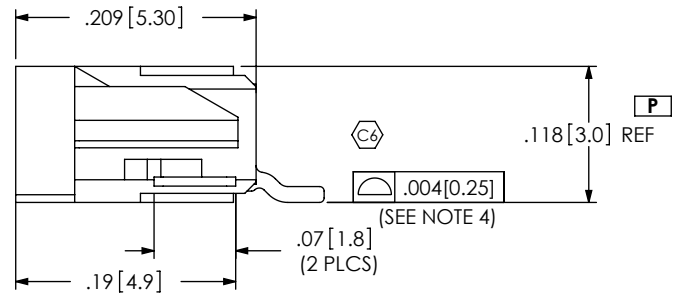
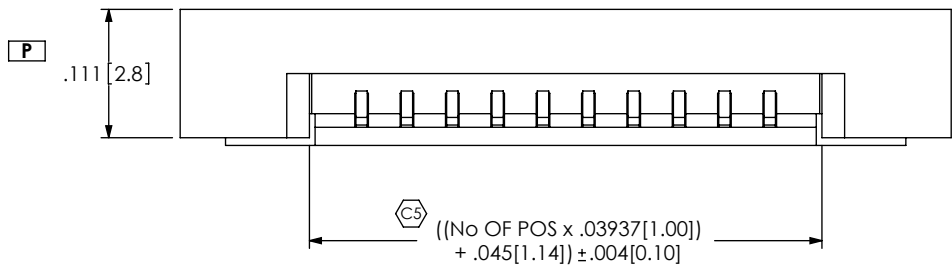


FIG. 1  
ZF1-10-01-T-WT SHOWN (WITH CAM CLOSED)



- NOTES:
1.  $\text{C}\text{3}$  REPRESENTS A CRITICAL DIMENSION.
  2. BURR ALLOWANCE: .0010[.025] MAXIMUM.
  3. CONTACT; MINIMUM PUSHOUT FORCE: 6 OZ.
  4. COPLANARITY INCLUDES TAILS AND WELD TABS.
  5. WELD TAB RETENTION: 12 OZ.
  6. BREAKOFF BURR NOT TO EXCEED .007[0.18] & MUST REMAIN ATTACHED.

UNLESS OTHERWISE SPECIFIED, DIMENSIONS ARE IN INCHES. TOLERANCES ARE:

DECIMALS ANGLES  
 .XX:  $\pm .01 [0.4]$  2°  
 .XXX:  $\pm .010 [0.25]$   
 .XXXX:  $\pm .XXXX [XXX]$

PROPRIETARY NOTE  
 THIS DOCUMENT CONTAINS INFORMATION CONFIDENTIAL AND PROPRIETARY TO SAMTEC, INC. AND SHALL NOT BE REPRODUCED OR TRANSFERRED TO OTHER DOCUMENTS OR DISCLOSED TO OTHERS OR USED FOR ANY PURPOSE OTHER THAN THAT WHICH IT WAS OBTAINED WITHOUT THE EXPRESSED WRITTEN CONSENT OF SAMTEC, INC.

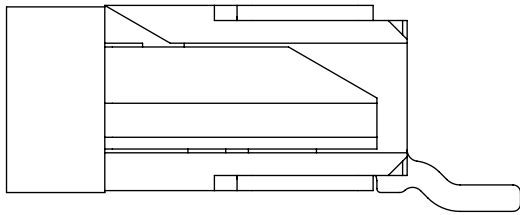
MATERIAL: DO NOT SCALE DRAWING SHEET SCALE: 6:1  
 HOUSING: LCP, COLOR: NATURAL  
 CAM SLIDER: PPS, COLOR: BLACK  
 CONTACT & WELD TAB: PHOS BRONZE  
 MAX FLASH ALLOWED: .002  
 MAX GATE VESTIGE: .002  
 F:\DWG\MISC\MKTG\ZF1-XX-XX-XX-WT-XX-MKT.SLDDRW

520 PARK EAST BLVD, NEW ALBANY, IN 47150  
 PHONE: 812-944-6733 FAX: 812-948-5047  
 e-Mail: info@SAMTEC.com code: 55322

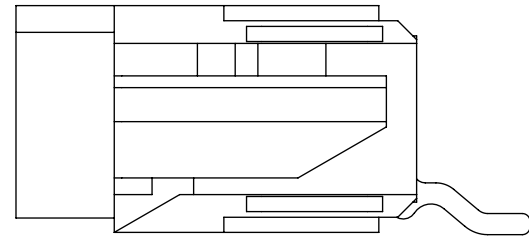
DESCRIPTION:  
ZERO INSERTION FORCE 1mm ASSEMBLY

DWG. NO.  
ZF1-XX-XX-XX-WT-XX

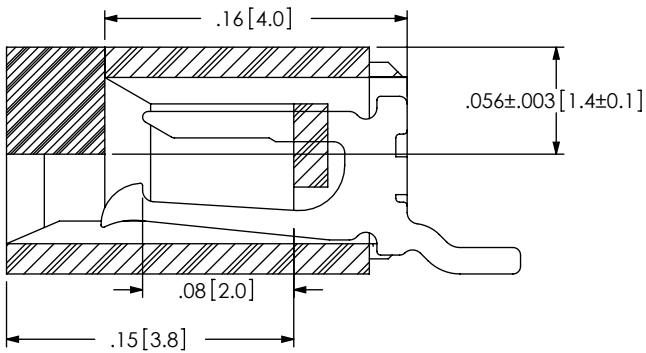
BY: KEVIN B 9/20/2002 SHEET 1 OF 4



-01 LEAD STYLE [CONTACT BOTTOM]  
(WITH CAM OPEN)

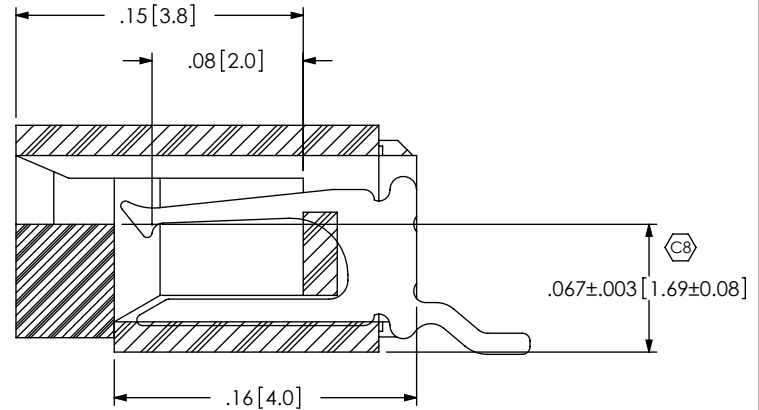


-02 LEAD STYLE [CONTACT TOP]  
(WITH CAM OPEN)



**SECTION "A"-"A"**

-01 LEAD STYLE  
(WITH CAM CLOSED)

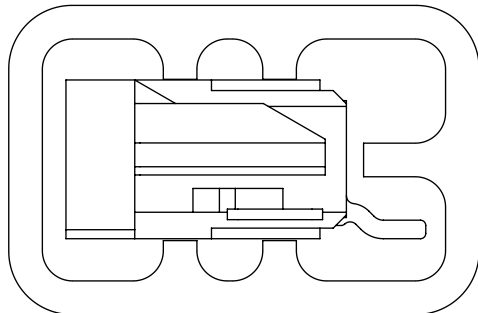


**SECTION "A"-"A"**

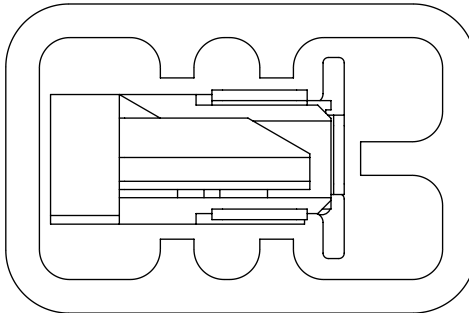
-02 LEAD STYLE  
(WITH CAM CLOSED)

**PACKAGING VIEWS**  
(-TR OPTION SHOWN ON SHEET 4)

[PARTS TO HAVE POSITION #1 LOADED IN  
SAME DIRECTION AS ARROW ON TUBE]



-01 & -02 LEAD STYLE:  
TUBE: PT-1-24-02-117  
PLUG: TP-24



-03 LEAD STYLE:  
TUBE: PT-1-24-02-117  
PLUG: TP-24

F:\DWG\MISC\MKTG\ZF1-XX-XX-XX-WT-XX-MKT.SLDDRW

**PROPRIETARY NOTE**  
THIS DOCUMENT CONTAINS INFORMATION  
CONFIDENTIAL AND PROPRIETARY TO  
SAMTEC, INC. AND SHALL NOT BE REPRODUCED  
OR TRANSFERRED TO OTHER DOCUMENTS OR  
DISCLOSED TO OTHERS OR USED FOR ANY  
PURPOSE OTHER THAN THAT WHICH IT WAS  
OBTAINED WITHOUT THE EXPRESSED WRITTEN  
CONSENT OF SAMTEC, INC.

DO NOT SCALE DRAWING

SHEET SCALE: 10:1



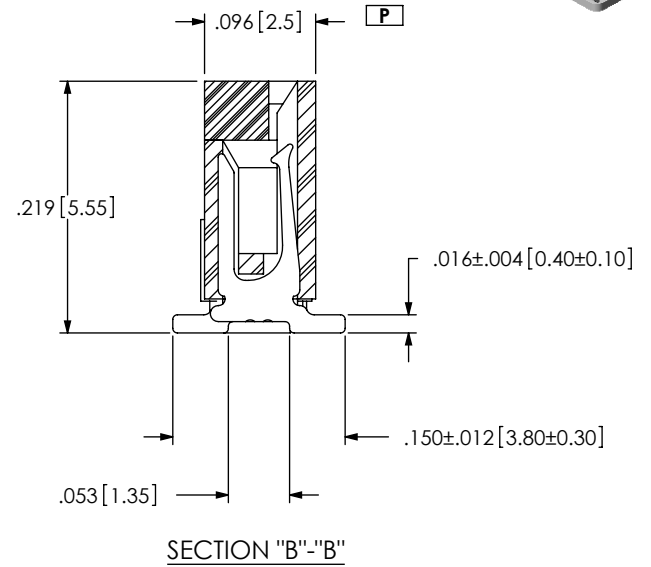
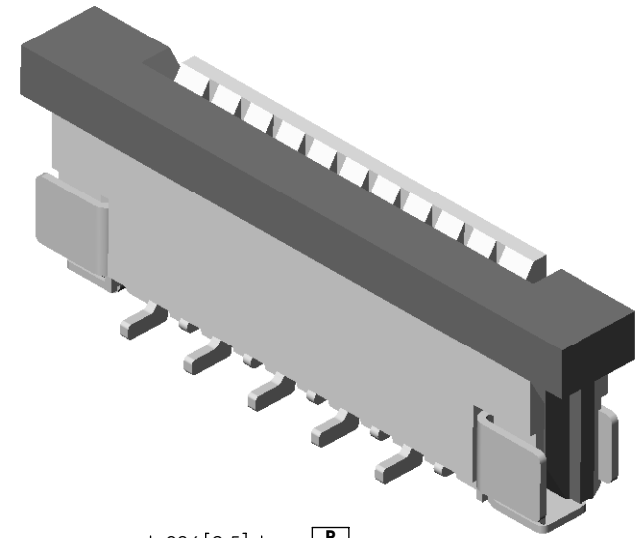
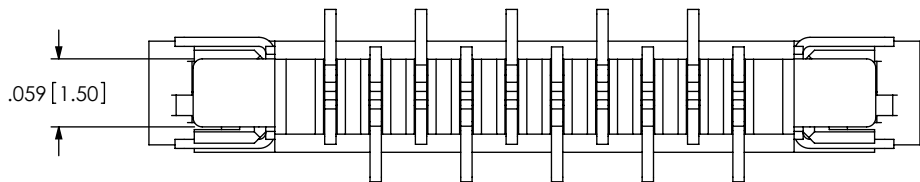
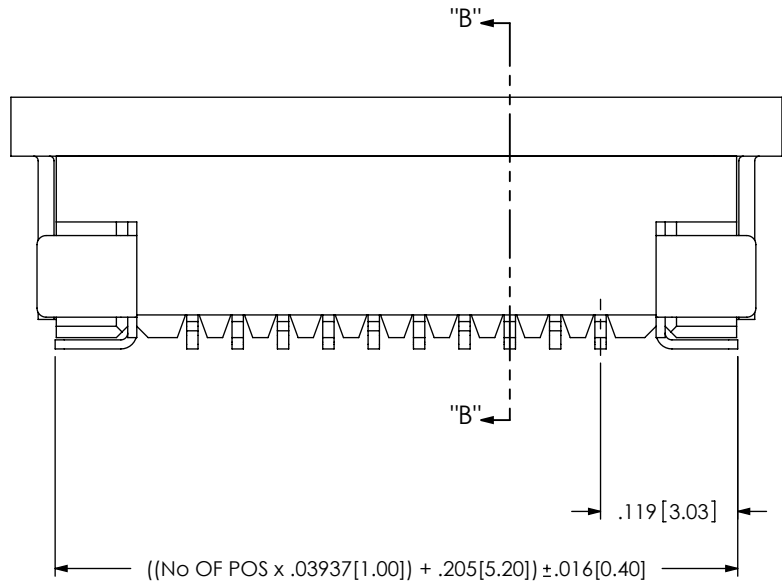
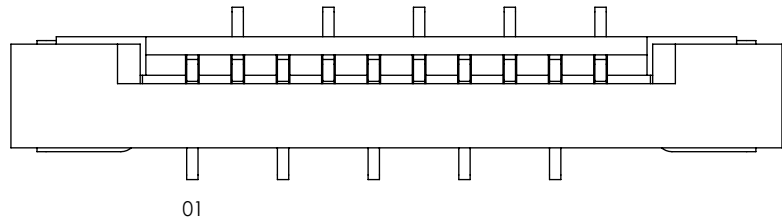
520 PARK EAST BLVD, NEW ALBANY, IN 47150  
PHONE: 812-944-6733 FAX: 812-948-5047  
e-Mail: info@SAMTEC.com code: 55322

DESCRIPTION:  
ZERO INSERTION FORCE 1mm ASSEMBLY

DWG. NO. **ZF1-XX-XX-XX-WT-XX**

BY: KEVIN B 9/20/2002 SHEET 2 OF 4

FIG. 2  
 \* -03 LEAD STYLE  
 (SAME AS FIG. 1, UNLESS OTHERWISE STATED)  
 (ZF1-10-03-T-WT SHOWN)



F:\DWG\MISC\MKTG\ZF1-XX-XX-XX-WT-XX-MKT.SLDDRW

**PROPRIETARY NOTE**  
 THIS DOCUMENT CONTAINS INFORMATION  
 CONFIDENTIAL AND PROPRIETARY TO  
 SAMTEC, INC. AND SHALL NOT BE REPRODUCED  
 OR TRANSFERRED TO OTHER DOCUMENTS OR  
 DISCLOSED TO OTHERS OR USED FOR ANY  
 PURPOSE OTHER THAN THAT WHICH IT WAS  
 OBTAINED WITHOUT THE EXPRESSED WRITTEN  
 CONSENT OF SAMTEC, INC.

DO NOT SCALE DRAWING

SHEET SCALE: 6:1



520 PARK EAST BLVD, NEW ALBANY, IN 47150  
 PHONE: 812-944-6733 FAX: 812-948-5047  
 e-Mail: info@SAMTEC.com code: 55322

DESCRIPTION:  
 ZERO INSERTION FORCE 1mm ASSEMBLY

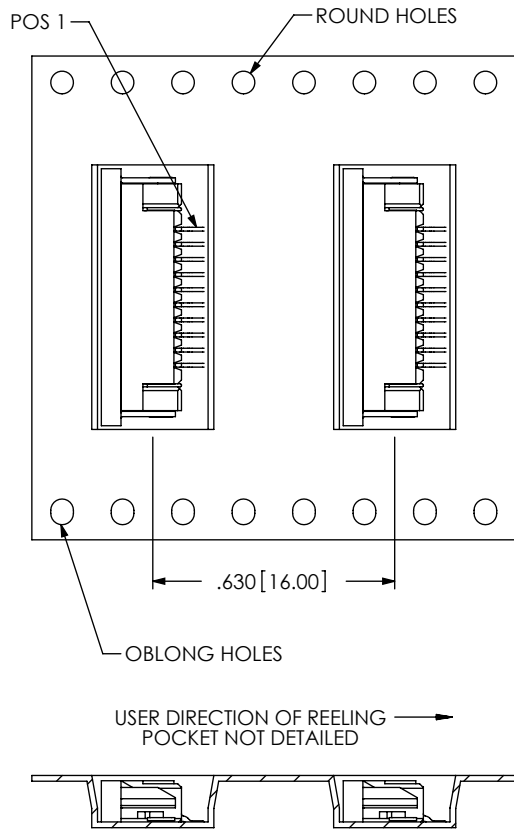
DWG. NO.  
 ZF1-XX-XX-XX-WT-XX

BY: KEVIN B 9/20/2002 SHEET 3 OF 4

FIG. 3  
-TR OPTION

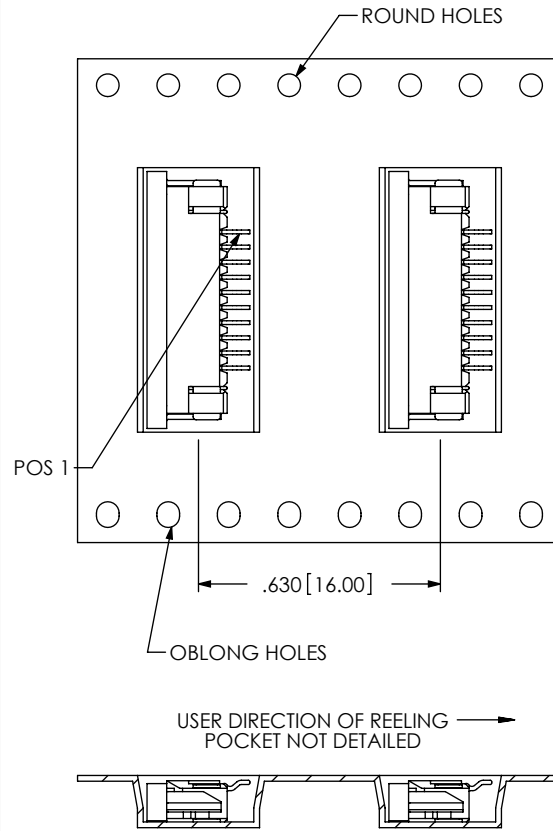
-01 LEAD STYLE

NOTE: POS 1 CLOSEST TO ROUND HOLES



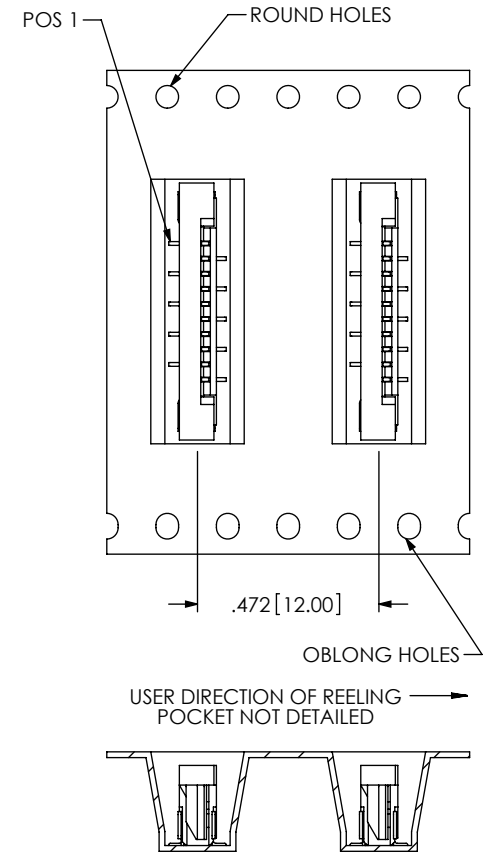
-02 LEAD STYLE

NOTE: POS 1 CLOSEST TO OBLONG HOLES



-03 LEAD STYLE

NOTE: POS 1 CLOSEST TO ROUND HOLES



F:\DWG\MISC\MKTG\ZF1-XX-XX-XX-WT-XX-MKT.SLDDRW

PROPRIETARY NOTE

THIS DOCUMENT CONTAINS INFORMATION CONFIDENTIAL AND PROPRIETARY TO SAMTEC, INC. AND SHALL NOT BE REPRODUCED OR TRANSFERRED TO OTHER DOCUMENTS OR DISCLOSED TO OTHERS OR USED FOR ANY PURPOSE OTHER THAN THAT WHICH IT WAS OBTAINED WITHOUT THE EXPRESSED WRITTEN CONSENT OF SAMTEC, INC.

SHEET SCALE: 2:1



520 PARK EAST BLVD, NEW ALBANY, IN 47150  
PHONE: 812-944-6733 FAX: 812-948-5047  
e-Mail: info@SAMTEC.com code: 55322

DESCRIPTION:  
ZERO INSERTION FORCE 1mm ASSEMBLY

DWG. NO. ZF1-XX-XX-XX-WT-XX

BY: KEVIN B 9/20/2002 SHEET 4 OF 4